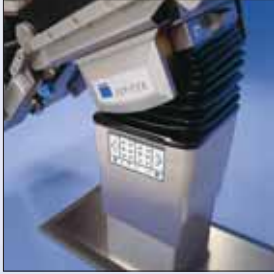


TRUMPF Medizin Systeme

Ahead of its time



**JUPITER**

**TRUMPF**



Fit f



or every surgical speciality

Fit for every surgical speciality

## JUPITER System and Universal

The modular OR table family JUPITER covers all fields of application in modern diagnostic and surgical medicine. Equipment, functionality and extendibility make it a top-class OR table. JUPITER is available as an exchangeable section system and as a mobile OR table.



Ophthalmology adapter with electric motor driven head rest adjustment



Electric motor driven seat section extension for urology



Motorised head section adjustment for orientation of the

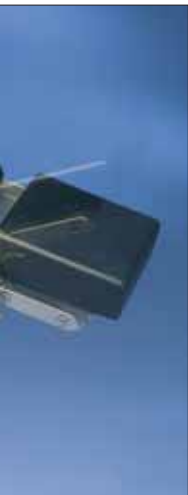


Optimal adaptability to patients of all sizes



Assembly of a paediatric table top from standard modules





Adjustment by reverse  
table top



Longitudinal and transverse adjustment for  
precise positioning under the C-shaped frame



Flexible extension unit for orthopaedics  
and traumatology



Carbon operating table top for 360°  
radiolucence



Optimised access to the operating area



- Operating from the column  
– Back-up for more security
- Free foot movement  
– extremely flat base plate

# All options



Electric motor driven, supported positioning during induction and recovery



Flex and reflex positioning by simply pressing a button



Efficient exchangeable section system, approachable from both sides



Wall operating panel with touch screen and position memory



Computer assisted service and remote diagnosis via modem link

# All options

- The modularity principle

The table top is capable of completely flexible configuration – it may be shortened, lengthened or equipped with special modules.

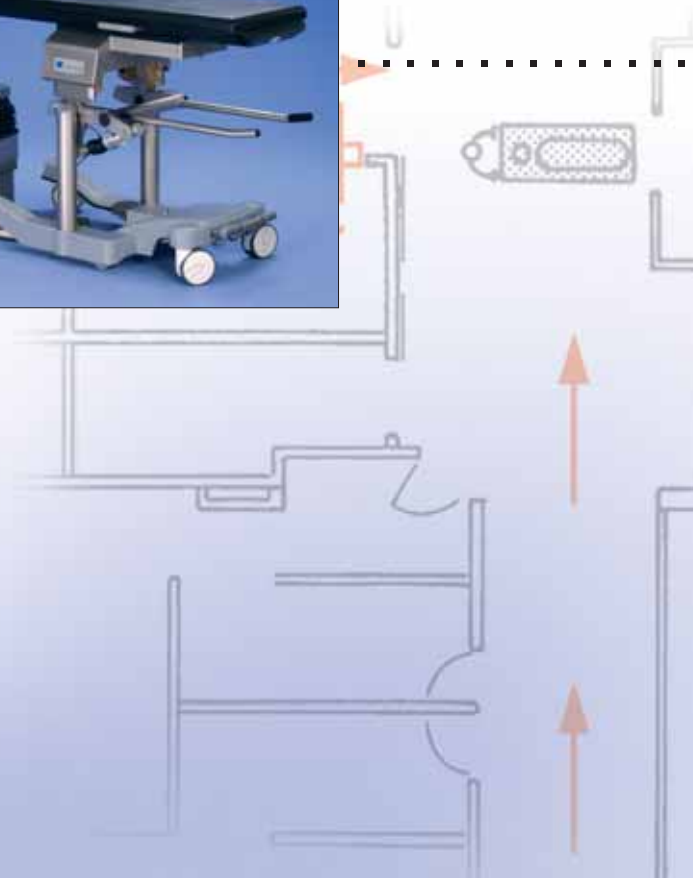
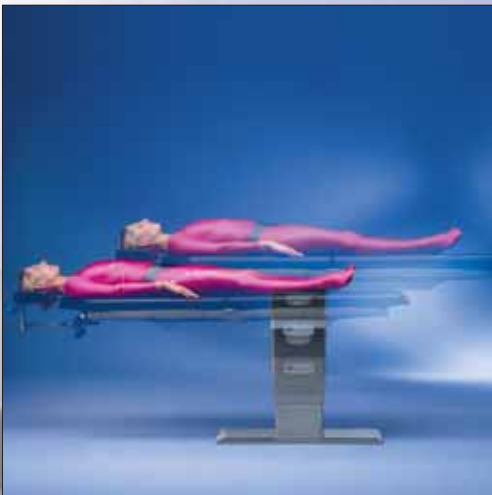
In addition to many other variations, reverse assembly can be realised without any trouble.

- Concept

A standardized coupling point system and an electric interface for motor-driven special modules and for the computer-controlled interaction with external systems form the innovative core of the modular conception.

Your JUPITER operating table is compatible with all the demands of future applications.





# JUPITER System

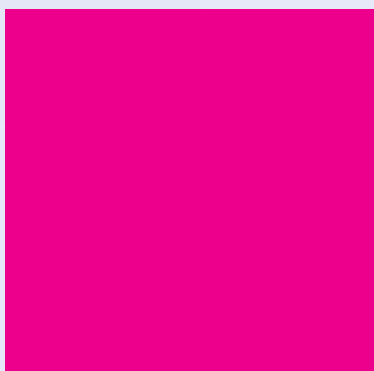
- The JUPITER exchangeable table top system enables the schedule in the operating theatre to be organised flexibly thus saving time.

The operating theatre is not blocked during the induction and recovery of the patients. It is not necessary to reposition the patient, which significantly increases his safety and comfort. The operating table top together with the transporter acts as a patient trolley, thus saving additional investment.

- Moreover, eliminating repositioning reduces workload, enabling expensive operating theatre time to be used more effectively.

The flow of work is rounded off and perfected by the supplementary use of the ORBITER patient transfer system and its interaction with the exchangeable table top system moreover, ORBITER forms the interface with future transport systems inside the hospital.

- Additional features of the JUPITER exchangeable table top system:
  - The take over may be performed optionally with either the foot control or the remote control;
  - Automatic reset of the table top at the start of its transfer;
  - User-friendly table top control unit for motorised adjustment of the table top, even during induction and recovery on the transporter;
  - No waiting times in the operating theatre;
  - Greater patient safety;
  - Simplified work for the personnel;
  - More efficient use of all resources.



# JUPITER Universal

## JUPITER Universal

- A great deal of action in a small area

- JUPITER Universal – ideal where space is restricted, the adjustment and patient positioning options, and the ease of operation are equivalent to those of the JUPITER System.

- Running gear

The high level of stability and the excellent drive characteristics are important aspects of the JUPITER Universal.

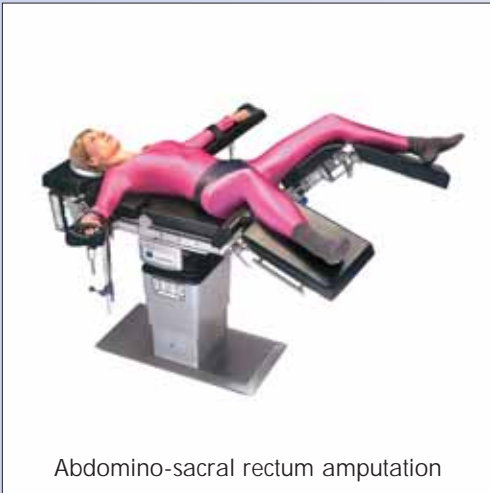
Overview of the most important functions:

- When braked, the table stands on 4 feet;
- The table can be moved sideways with the free-wheel setting;
- In the directional travel setting, one wheel is fixed facing ahead to make it easier to travel in a straight line;
- Successfully designed running gear, the best possible space utilisation and freedom of movement for the feet provide optimal working conditions.

- The special features of the JUPITER Universal

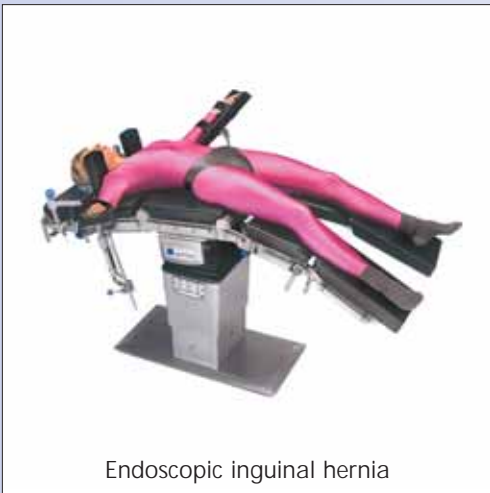
- Final patient positioning for thorax and renal lateral positions, “deckchair” positions and for knee arthroscopy can already be set during the induction to the operating theatre.





Abdomino-sacral rectum amputation

- General surgery



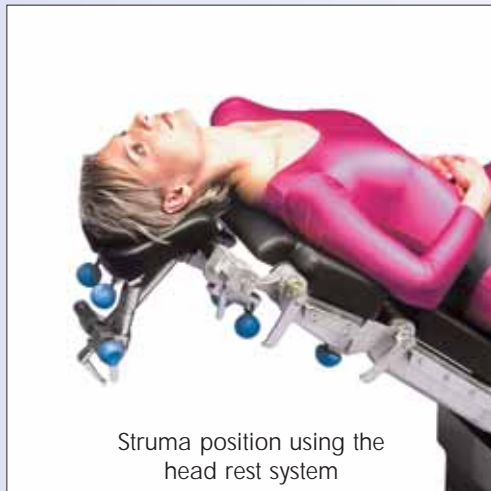
Endoscopic inguinal hernia



Proctological operations



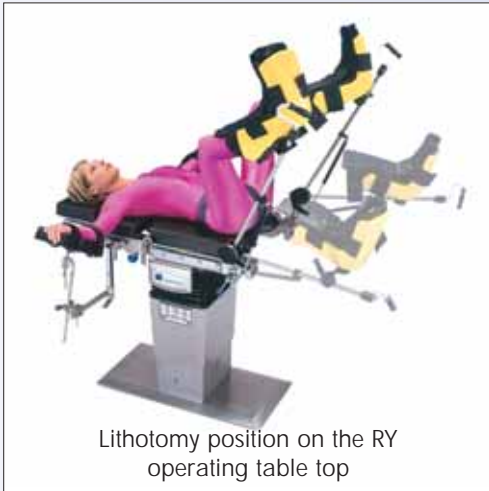
Lateral thorax position



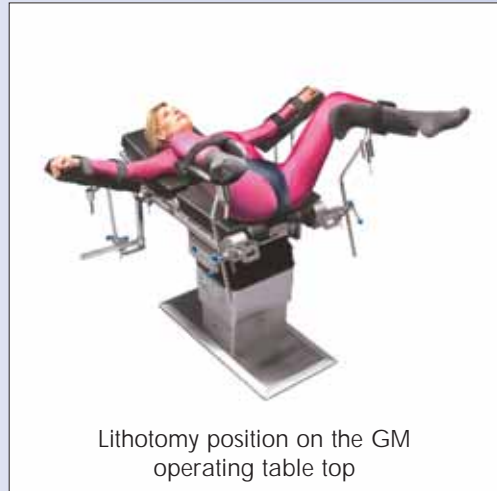
Struma position using the head rest system

# Patient positioning

- Gynaecology and Urology



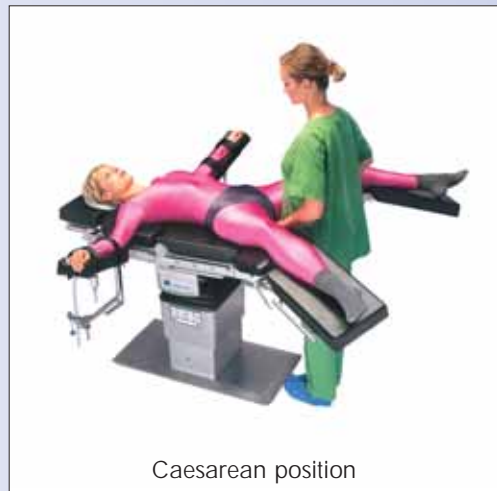
Lithotomy position on the RY operating table top



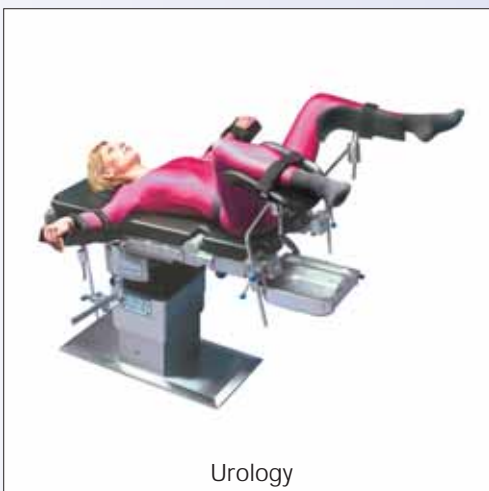
Lithotomy position on the GM operating table top



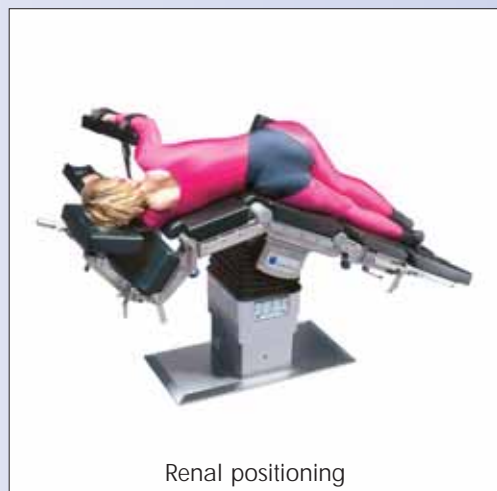
Mammoplastic surgery (semi-seated)



Caesarean position



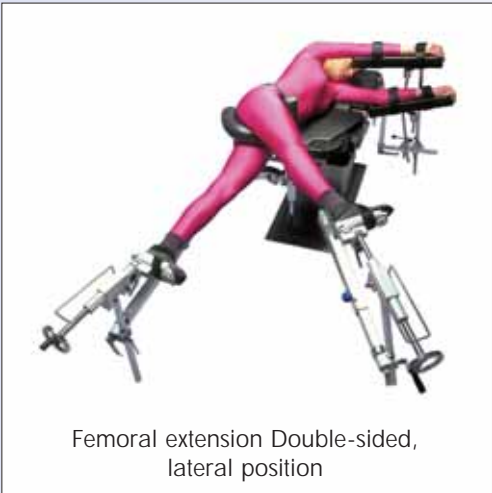
Urology



Renal positioning



Traumatology with table top Carbon X-tra. Longitudinal displacement also in Trendelenburg position



Femoral extension Double-sided, lateral position



Femoral extension in a supine position



Femoral extension in a supine position



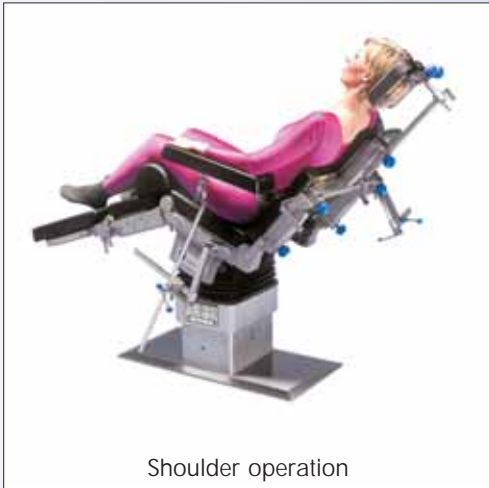
Tibia extension



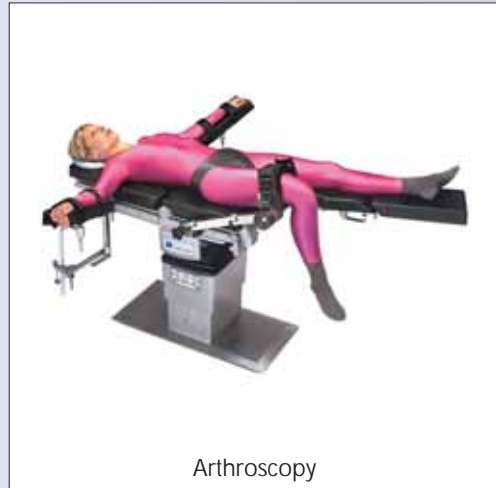
Tibia extension

# Patient positioning

- Traumatology and Orthopaedics



Shoulder operation



Arthroscopy



Lower arm extension



Prone upper arm  
Positioning



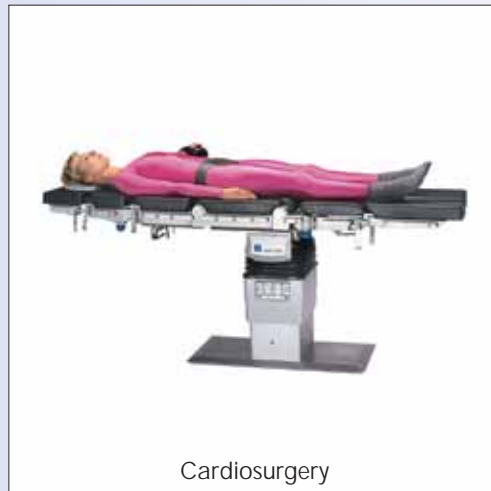
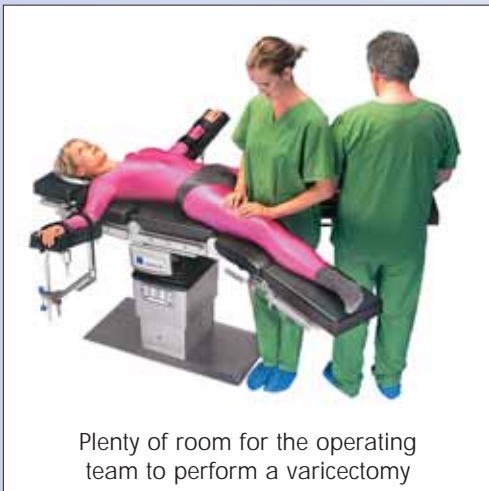
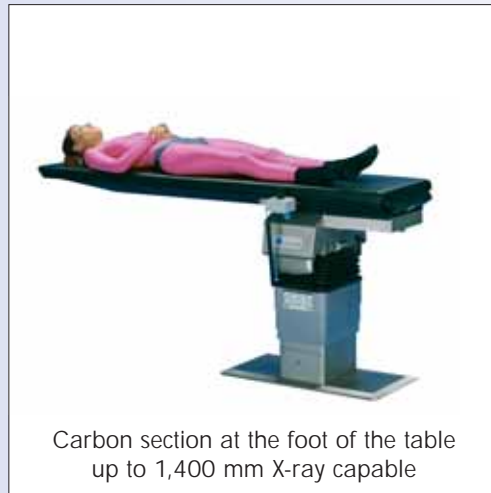
Hand surgery with hand  
OR table Carbon with variable  
support and standard rail extension



Hip operation with extension adapter

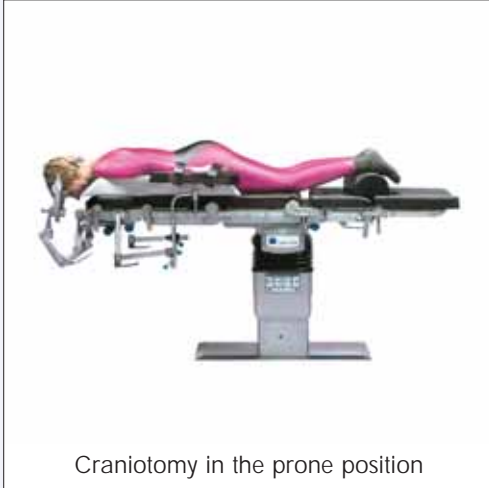


■ Cardiovascular surgery



# Patient positioning

- Neurosurgery



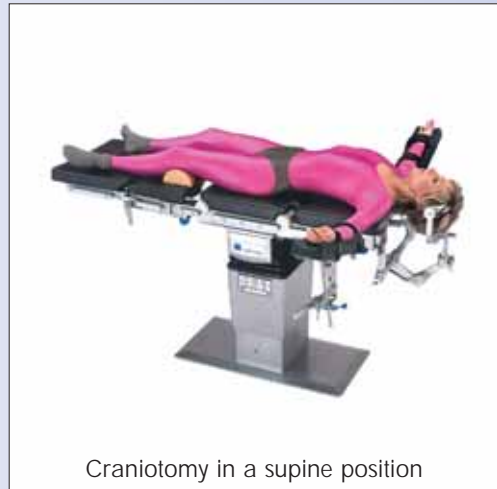
Craniotomy in the prone position



Craniotomy semi-seated



Craniotomy in a lateral position



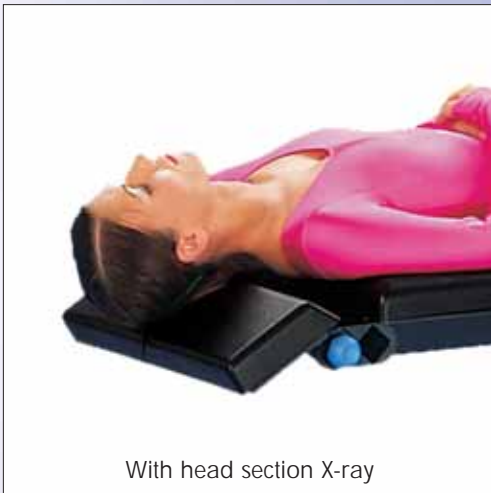
Craniotomy in a supine position



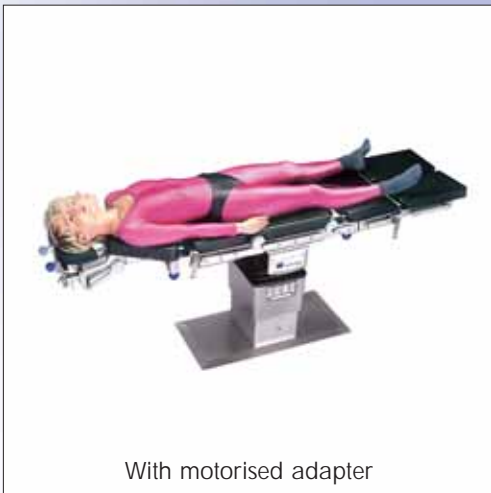
Spine



With ophthalmology adapter



With head section X-ray



With motorised adapter

■ Ophthalmology/ENT



# Patient positioning

- Paediatric surgery



Ophthalmology/ENT



Shoulder operation

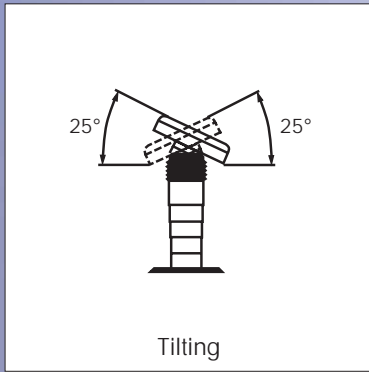


General surgery

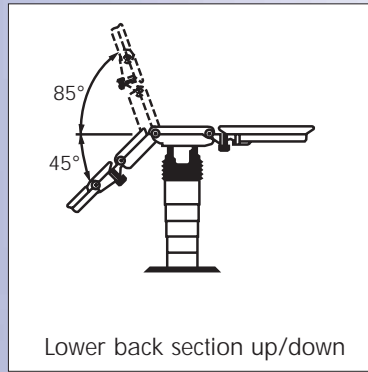


# Recommended accessories

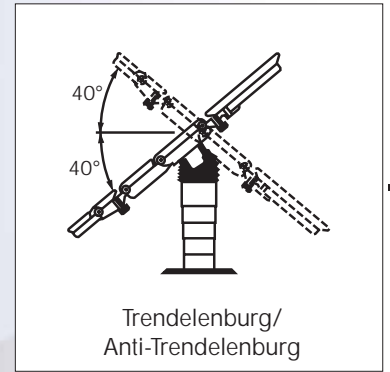
<b>■ General Surgery</b>			
1 Arm supporting device 450	1316894		
1 Anaesthesia screen, extendable	4544710		
1 IV-Pole with 4 hooks	4544708		
1 Heavy toothed radial clamp	1218804		
1 Body strap with locking clamps	4544702		
1 Universal lateral support	4544720		
1 Lateral support	4544722		
<b>■ ENT/Ophthalmology</b>			
1 Adapter for head rests and neurosurgical accessories	4544785		
1 Basic holder for head rest system	4544786		
1 Connection holder	4544728		
1 Head rest, horseshoe-shaped, two-part	4544732		
1 Haslinger head rest	4545680		
<b>■ Urology/Gynaecology</b>			
1 Pelvis section extension JUPITER, MARS	4544106		
2 Leg holder Goepel	4544736		
2 Heavy toothed radial clamp	1218804		
1 Long light leg section	1344538		
1 Drainage bowl adapter, swivelling	4544128		
1 Drainage bowl with hose and sieve	4544618		
1 Leg holder set	1232693		
<b>■ Neurosurgery</b>			
1 Adaptor for head rests and neurosurgical accessories		4544785	
1 Adjustable basic unit		1218970	
1 Skull clamp adapter		1218969	
1 Head rest for adults		1218974	
1 Skull clamp		1218968	
1 Crossbar attachment		4544436	
2 Heavy toothed radial clamp		1218804	
<b>■ Orthopaedics/Traumatology</b>			
Extension table top package 1 (please see page 28 for more information)		4545531	
Extension table top package 2 (please see page 28 for more information)		4545532	
OR extension JUPITER package 1 (please see page 29 for more information)		4545533	
OR extension JUPITER package 2 (please see page 29 for more information)		4545534	



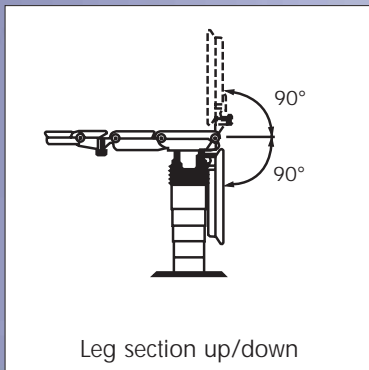
Tilting



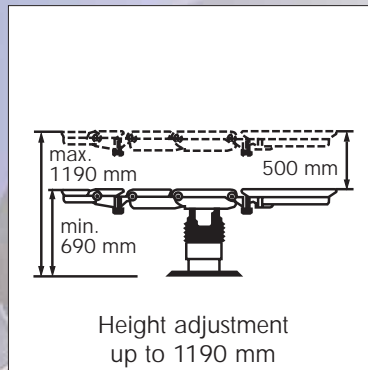
Lower back section up/down



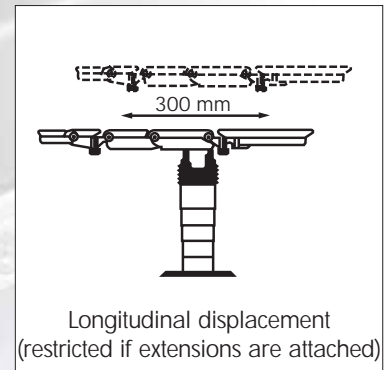
Trendelenburg/  
Anti-Trendelenburg



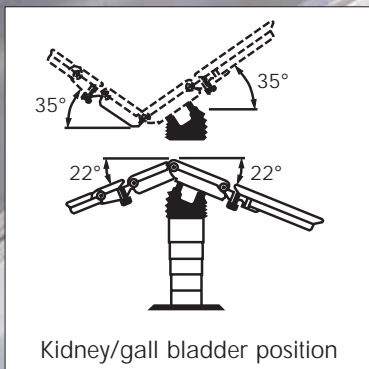
Leg section up/down



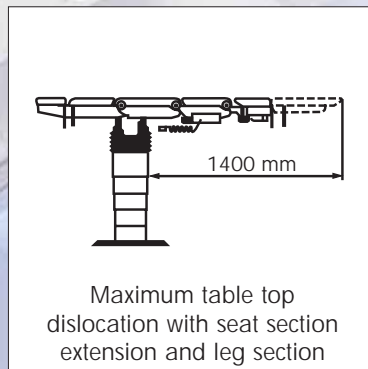
Height adjustment  
up to 1190 mm



Longitudinal displacement  
(restricted if extensions are attached)



Kidney/gall bladder position



Maximum table top  
dislocation with seat section  
extension and leg section

# Setting ranges

## ■ JUPITER System

### Extremely large range of adjustment

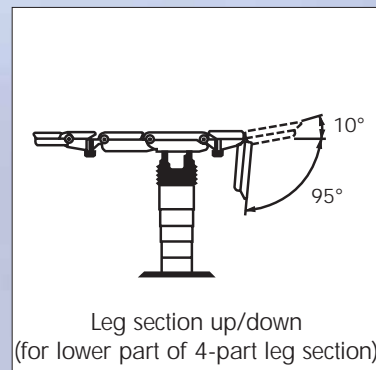
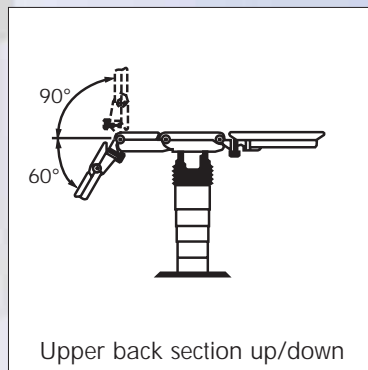
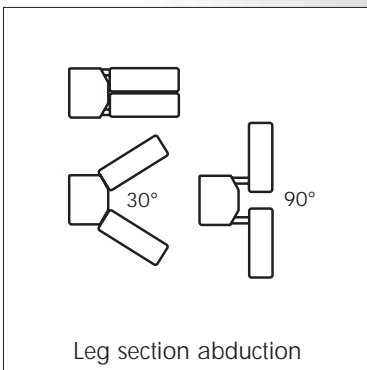
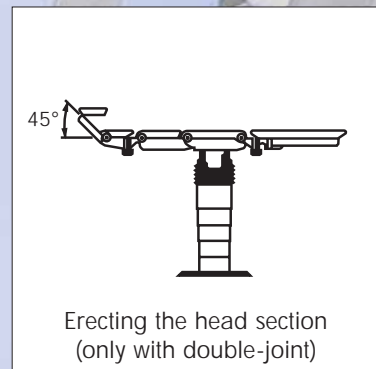
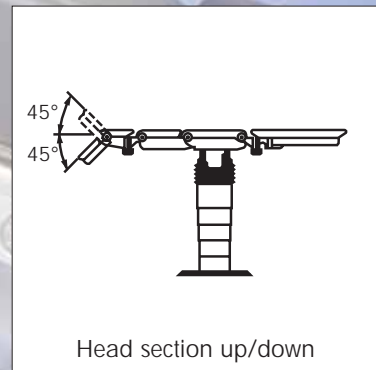
This applies to both the motorised and manual ranges.

The extraordinary features in a short overview:

- Very low minimum height at 690 mm with the permanently installed column;
- With extremely large Trendelenburg/ Anti-Trendelenburg adjustment of up to 40 degrees;
- Height adjustment of 500 mm.

The variants motorised adjustment are illustrated on the left hand side.

Please refer to the sketches on the right hand side for details about the manual settings.



### Operating Table JUPITER SYSTEM

Modular exchangeable section system consisting of mobile (built-in) column, power-driven OR table tops and transport units for moving the whole system (unless permanently installed) or individual table sections. Positioning surface design for surgical fields consisting of one basic table top and variably applicable modular components. Fast and uncomplicated conversion of any section configuration into another. Table tops not constrained to only one special field.

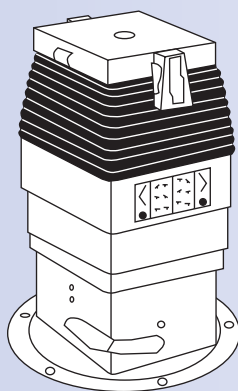
Coupling of the modular components by a tolerance-free and maintenance-free adaptation system.

Additional motor-driven modules controlled by an operating unit are optionally available.

Computer coupling for service support in function tests and error detection directly in the operating theatre or for remote diagnosis via telephone line and modem.

### Stationary OR table column JUPITER SF / OR table column JUPITER floor installation

Material-No. 4544112 / 1271282



For mounting OR table tops. Mounted to rotate on the base plate, also optional floor installation on finished floor.

Motor-driven adjustment of height, tilting, Trendelenburg or Anti-Trendelenburg. Electronic safety monitoring with zero position and acoustic confirmation during transfer. Independent locking of table top at the column.

Operation via IR remote control, optional cable remote control and/or tableau with touch screen (variably built-in or wall-mounted or ceiling mounted support system).

Additional key-pad with the main function keys and status indications inserted flush into the column covering.

Internal power supply from integrated gas-proof and maintenance-free batteries within the column. Battery charging over power supply via floor installation from non-central power unit. Optical control for monitoring the power voltage.

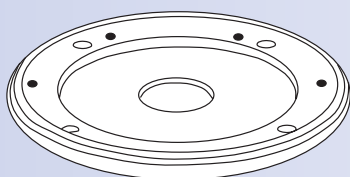
Electrical standard interface RS 232 for the connection of remote control systems.

#### Technical data

Height	540 – 1,040 mm
Height including operating table top	690 – 1,190 mm
Trendelenburg	± 40°
Tilting	± 25°
Weight of the column	190 kg
Patient weight	225 kg
Power supply	40 V DC, protective low voltage

### Floor-mounting plate for operating table column JUPITER SF

Material-No. 1219010



Base plate made of corrosion-resistant stainless steel for assembly on the bare floor, for later, liquid-tight installation of OR table column flush with top edge of the floor; with cover plate for protection during extension phase, cable conduits downwards and radial, with PVC edge for welding with PVC floor cover.

Delivery incl. assembly of table column as well as connection of motor and control line in wall tableau.

2 versions for different floor heights.

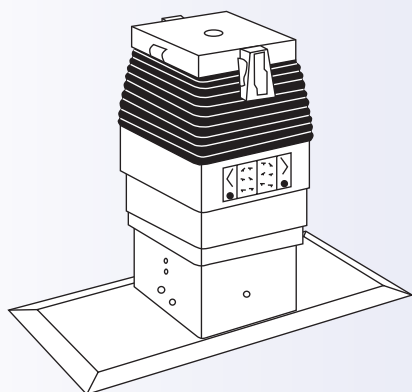
#### Technical data

Diameter	515 mm
Fitting height	60 mm
Weight	52 kg

# Technical details

Mobile OR table column JUPITER SM

Material-No. 4544113



OR table column to be positioned individually in the room with 22 mm flat, stable base plate for mounting OR table tops; motor-driven adjustment of all 3 basic functions (height, tilting, Trendelenburg/Anti-Trendelenburg); electronic monitoring and automatic zero positioning of column at the start of the transfer process of the table top, (also possible at the head and foot of the table); automatic detection of the orientation direction of the OR positioning surface on the column and double self-locking with electronic monitoring; electric column drive by 4 geared motors with electronic, progressive, dynamically controlled smooth running for jolt-free start.

Operation of column and table top functions either by IR remote control, cable remote control, foot switch or wall operation tableau; additional operation panel at the column with status indicators installed flush into the column covering; the column contains a splash-proof plug-connection for a foot switch; charging of the maintenance-free batteries which are integrated in the column by separate power pack, which may also serve as direct power supply, if required. Operating capacity between 2 charging processes at least 1 week; durability with regular charging and discharging at least 3 years; covering and base plate made of disinfectant-resistant, easy-to-clean stainless steel.

#### Technical data

Drives	motor-driven
Height	560 – 1,060 mm
Height incl. Universal OR table top	710 – 1,210 mm
Height of base plate	22 mm
Cross section of base plate	303 mm x 375 mm
Trendelenburg	± 40°
Tilting	± 25°
Weight of column	200 kg
Patient weight	225 kg

External power pack JUPITER SM / Line for power pack OPTN4-SM JUPITER

Material-No. 4544181 / 4220900

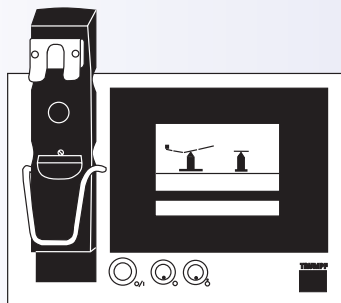
Power pack for battery charging and direct power supply in the case of battery failure and separate line for power pack OPTN4-SM JUPITER.

#### Technical data

Voltage	115 – 230 V / 50 – 60 Hz
Power consumption	max. 400 W
Dimensions (Dimensions without the handle W x H x D)	270 mm x 190 mm x 200 mm

Wall-mounted control panel, 1.0 JUPITER / 1.1 JUPITER / Wall-mounted control panel built-in box

Material-No. 4544182 / 4544193 / 1307634



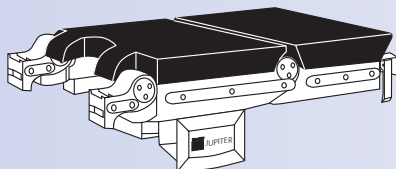
Multi-functional remote control unit for the OR table system with touch screen for installation into the wall tableau of the operating theatre, for separate wall installation with built-in cabinet or for wall installation with surface housing; all electric motor driven functions of the JUPITER operating table system are controlled and send feedback by means of bidirectional data transmission, which enables the actual position of the table to be identified and displayed graphically at all times. Depending upon the setting, six or more individual table positions can be freely selected and stored. They can be quickly called up at any time by pressing a button. The table operation is menu-guided on the touch screen of the colour display. The status conditions of the operating table system, instructions and error messages are displayed in a language preselected by the user, with integrated charging station for the infrared remote control.

#### Technical data

Number of storage spaces	6 (expandable to n x 6)
Voltage	115 / 230 V
Frequency	50 / 60Hz
Power consumption	max. 50 W
Casing dimensions 4544182	approx. 295 mm x 195 mm x 99 mm
Dimensions of front panel 4544182	approx. 315 mm x 215 mm x 2 mm
Casing dimensions 4544193	approx. 295 mm x 195 mm x 99 mm
Dimensions of front panel 4544193	approx. 315 mm x 215 mm x 2 mm
Casing dimensions 1397634	approx. 340 mm x 270 mm x 117 mm
Dimensions of front panel 1307634	approx. 315 mm x 215 mm x 2 mm

Operating table top GM / GM W / Operating table top GM Q

Material-No. 4549100 / 1268737 / 4549136



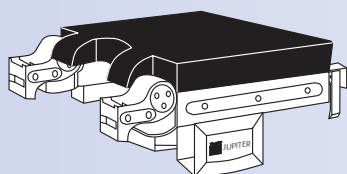
Universal table top consisting of seat section and lower back section, which can be adjusted to each surgical requirement by individual combination of various modular components; fully X-ray capable without metal cross-bars between the spars; motor-driven adjustment of back section, leg sections (individually or parallel) and longitudinal adjustment; integral foam pad, electrically conductive, soft and detachable; table top frame, coupling points and standard rails made of disinfectant-resistant, easy-to-clean and stainless steel.

The variant 1268737 can be cleaned mechanically.

	Operating table top GM	Operating table top GM Q
Length (coupling point to coupling point)	916 mm	916 mm
Length of the standard configuration (head section, two-part leg section)	2,109 mm	2,109 mm
Width over standard rails	580 mm	580 mm
Pad width	530 mm	530 mm
Longitudinal displacement	300 mm	300 mm
Cross adjustment		± 85 mm
Leg section socket adjustment range	+ 90°, electric motorised, individual and parallel	+ 90°, electric motorised, individual and parallel
Lower back section adjustment range	+ 70° / - 45°, electric motorised	+ 70° / - 45°, electric motorised
Upper back section adjustment range	+ 90° / - 60°, manual	+ 90° / - 60°, manual
Patient weight	225 kg	225 kg

Operating table top RY

Material-No. 4549130



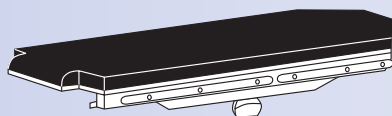
Extendable as gynaecological, urological or extension table top. One-part top segment, mechanical and motor-driven adjustment of each coupling point. When fitted with head, back and leg sections 5-7-fold partitioning is possible. Standard stainless steel rails (10 x 25 mm) at both side for mounting accessories. Interface for motor-driven modular components. Soft, detachable, integral foam, anti-static, cleaning- and disinfectant-resistant pad.

Technical data

Length (coupling point to coupling point)	590 mm
Width over standard rails	580 mm
Pad width	530 mm
Leg section socket adjustment range	+ 90°, electric motorised, individual and parallel
Lower back section adjustment range	+ 90° / - 60°, manual
Weight	65 kg
Patient weight	225 kg

Operating table top GO

Material-No. 4544131



Widened one-piece table top for special application as X-ray section and in ophthalmology. X-ray capability, without metal cross-bars, guaranteed over the total length, mounting of head rest system possible at the head of the table over adaptor, standard rails for mounting accessory at both sides. Soft, detachable, integral foam, anti-static, cleaning- and disinfectant-resistant pad. The table top frame, coupling points and standard rails are made of disinfectant-resistant, easy to clean, special stainless steel.

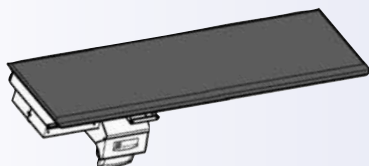
Technical data

Length (coupling point – pad)	1,900 mm
Width over standard rails	680 mm
Pad width	630 mm
Longitudinal displacement	550 mm, manual
Weight	56 kg
Patient weight	160 kg

# Technical details

## Operating table top X-tra

Material-No. 1257392



One-part OR positioning area with motor-driven longitudinal adjustment and cross adjustment. Exact adjustment also in extreme Trendelenburg/Anti-Trendelenburg, as well as tilting. Hygienic design due to closed drive housing. Positioning area made of carbon fiber compound, applicable for (cardio-) vascular surgery, interventional radiology, orthopaedics, traumatology and neurosurgery. Carbon head sections or carbon positioning units can be mounted at the head of the table for neurosurgical special positioning. 360° orthograde X-ray capability with the X-ray image intensifier in large ranges is ensured. Exact positioning in x- and y-direction either over the standard IR remote control or over joystick is possible. Several carbon adaptors enable the attachment of standard rails for accessories along the total length of the table top. Electrically conductive pad, load-bearing design in the drive area made of disinfectant-resistant, easy-to-clean stainless steel.

### Technical data

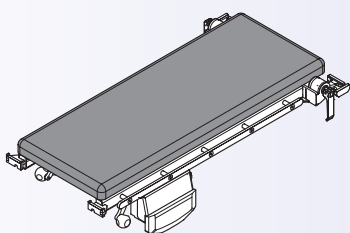
Length of table top	2,085 mm
Height	160 mm
Width over standard rails	580 mm
Length of drive module	650 mm
Trendelenburg/Anti-Trendelenburg	± 40°
Tilting right/left	± 25°
Maximum longitudinal adjustment	460 mm
Maximum cross adjustment	+ 85 mm

### X-ray capable area

Table top	at the head of the table 1,400 mm x 520 mm at the foot of the table 495 mm x 520 mm
Maximum patient weight	180 kg
Material of carrier plate	Carbon fiber SIGRAFIL
Pad material	X-ray capable, detachable, soft

## OR table top paediatrics

Material-No. 1246217



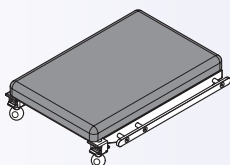
One-piece positioning surface with manual longitudinal adjustment; with joint at the foot of the table; electrically conductive pad, soft and detachable; load-bearing design and coupling points made of disinfectant-resistant, easy-to-clean, stainless steel.

### Technical data

Length	1,000 mm
Table width over standard rails	470 mm
Longitudinal adjustment	600 mm
Adjustment of joint	± 90°
Maximum patient weight	80 kg

## Extensions section paediatrics

Material-No. 1309524



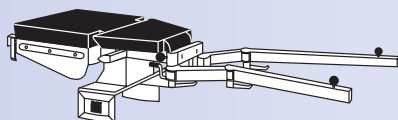
For extending the OR table top paediatrics; electrically conductive pad, soft and detachable; load-bearing design and coupling points made of disinfectant-resistant, easy-to-clean, stainless steel.

### Technical data

Length	600 mm
Table width over standard rails	470 mm
Maximum patient weight	30 kg

Operating table top OT

Material-No. 4544133



2-part table top with integrated double-joint spars, back section adjustable with crank.

Coupling system enables the use of the standard leg sections.

Standard rails at both side for mounting accessory. Soft, detachable, integral foam, anti-static, cleaning- and disinfectant-resistant pad.

Technical data

Length of table top with spars	1,570 mm
Width without/with standard rails	530 / 580 mm
Adjustable degree of back section	+ 80 °
Additional height for universal table top	130 mm

Extension table top package 1 / package 2

Material-No. 4545531 / 4545532

Pad thickness 50 mm, CFC free, integrally foamed; Electrically conductive; The load-bearing structure is made of special stainless steel.

Equipment	package 1	package 2
OT table top	1 piece 4544133	1 piece 4544133
Shoulder positioner	1 piece 4544103	1 piece 4544103
Leg section, two-part simple	1 piece 4544110	1 piece 4544110
Extension strut	1 piece 1218831	2 pieces 1218831
Spindle traction mechanism	1 piece 1218832	2 pieces 1218832
Leather extension sandal right		1 piece 1232946
Leather extension sandal left	1 piece 4544790	1 piece 4544790
Counter traction post 80	1 piece 4544449	1 piece 4544449
Side rail adapter	1 piece 4544165	1 piece 4544165
Side rail 520	1 piece 4544166	1 piece 4544166
Head rest holder	1 piece 4544520	1 piece 4544520
Head rest, simple	1 piece 4549730	1 piece 4549730
Counter traction post for tibia		1 piece 4544770
Extension strut short		1 piece 4544771
Counter traction post 60		1 piece 4544453
Leg holder Goepel		1 piece 4544736
Heavy toothed radial clamp		1 piece 1218804

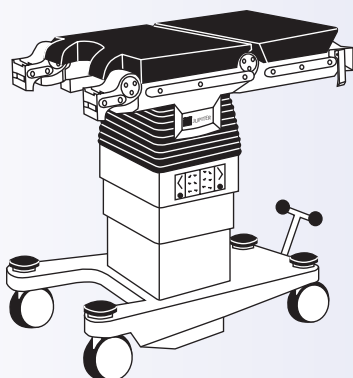
Technical data

Length (coupling point to coupling point)	750 mm (without extension struts)
Width over standard rails	680 mm
Pad width	630 mm
Back section adjustment range	0° to 80°, manual
Weight	70 kg
Patient weight	180 kg

# Technical details

JUPITER Universal operating table

Material-No. 4549170



For patient weights up to 225 kg with electro-mechanical adjustment of the column and table top functions.

The table top base consisting of seat section and lower back section can be adjusted or extended for any surgical requirements by individual combination with mechanical modular components (upper back section, several types of head and leg section, extension accessory, shoulder adaptor, seat section extension, positioning module for head disciplines) or actively driven modular components (electric seat section extension, motor-driven head rest system).

Control of the OR table, including optional actively driven modular components, either via infra-red remote control, cable remote control or via the additional key-pad flush integrated into the column covering. The maintenance-free batteries which are integrated into the column are charged by a separate power pack which may also be used for direct power supply.

Detachable, integral foam and electrically conductive pad. Stable Y-shaped chassis provides plenty of space for the surgeon. 4 double-jointed casters and an additional lowerable guide wheel guarantee good maneuvering of the operating table.

Table top frame, column covering, coupling points, standard rails and chassis frame are made of disinfectant-resistant, easy-to-clean stainless steel

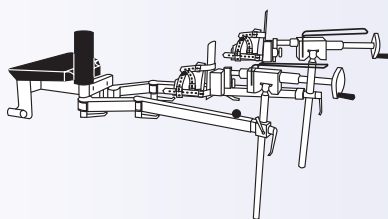
Interface for PC controlled error diagnosis at the OR table or by remote diagnosis via modem.

#### Technical data

Power consumption	max. 400 W
Table height	720 – 1,220 mm
Trendelen-/Anti-Trendelenburg	± 40°
Tilting	± 25°
Drive	motor-driven
Patient weight	max. 225 kg
Back section up/down	+ 80° / - 40°
Leg sections up/down	+ 90° / - 90°
Zero position	

OR extension JUPITER package 1 / package 2

Material-No. 4545533 / 4545534



Flexible and modular extension unit for orthopaedics and traumatology. Patients of all sizes can be correctly positioned. It can be coupled, via an adapter, to the GM and RY table tops of the JUPITER operating table system or to the JUPITER Universal operating table. It can be supplied in two basic configurations, and may be supplemented by many additional accessories to meet customer requirements. The adapter, double-jointed extension struts, spindle traction mechanism and the load-bearing structures of all accessory parts are made of disinfectant-resistant, easy to clean, special stainless steel.

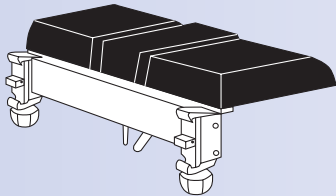
#### OR extension JUPITER package 1 / package 2

Pad thickness 50 mm, CFC free, integrally foamed; Electrically conductive; the load-bearing structure is made of special stainless steel.

Equipment	package 1		package 2	
OR adapter JUPITER / TITAN	1 Stück	1259051	1 piece	1259051
Support pad for JUPITER	1 piece	4544467	1 piece	4544467
Counter traction post 80	1 piece	4544449	1 piece	4544449
Double joint strut	1 pair	4544466	1 pair	4544466
Extension strut	1 piece	1218831	2 pieces	1218831
Spindle traction mechanism	1 piece	1218832	2 pieces	1218832
Leather extension sandal right			1 piece	1232546
Leather extension sandal left	1 piece	4544790		
Side rail adapter	1 piece	4544165	1 piece	4544165
Side rail 520	1 piece	4544166	1 piece	4544166
Counter traction post for tibia			1 piece	4544770
Extension strut short			1 piece	4544771
Counter traction post 60			1 piece	4544453
Leg holder Goepel			1 piece	4544736
Heavy toothed radial clamp			1 piece	1218804

**Shoulder adapter**

Material-No. 4544103



With three pad segments, adaptation to the lower back section.

Depending on the patient's height, both side pads can be adjusted upwards about 130 mm or totally detached. The centre pad supports the patient's spinal column.

Soft, integral foam, anti-static as well as disinfectant-resistant and cleaning agent-resistant pad.

Coupling element for mounting a head rest at the head of the table.

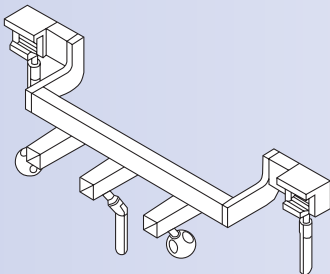
**Technical data**

Dimensions	250 mm x 548 mm
------------	-----------------

Weight	10 kg
--------	-------

**Mounting adapter for head positioning**

Material-No. 4544785



Adapter for attaching special neurosurgery accessories, and for head positioning in ENT and ophthalmology. Made of disinfectant-resistant, easy to clean, special stainless steel.

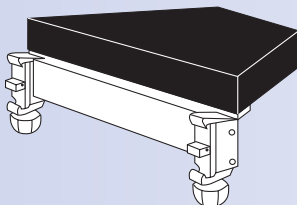
**Technical data**

Dimensions	505 mm x 160 mm
------------	-----------------

Weight	3,5 kg
--------	--------

**Ophthalmology adapter**

Material-No. 4549127



Trapezoidal upper back section, with square mount for head rest system.

Pad detachable, integrally foamed and electrically conductive. The load-bearing structure and coupling points are made of disinfectant-resistant, easy to clean, special stainless steel.

**Technical data**

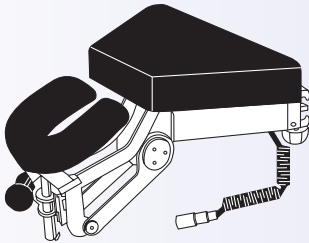
Dimensions	290 mm x 530 mm
------------	-----------------

Weight	8 kg
--------	------

# Technical details

## Base holder, motor-driven

Material-No. 4549525



Trapezoidal ophthalmology adapter for mounting head rests, to be adjusted electrically during surgery with the standard IR remote control, sensor-controlled.

Adaptation at the lower back section

Integral foam, electrically conductive, soft pad

### Technical data

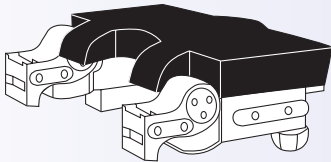
Upward adjustment	+ 90 mm
Downward adjustment	- 70 mm

### Manual adjustment of the head rest on connection holder

Longitudinal displacement	± 30 mm
Height adjustment	± 28 mm
Tilting backwards	45°

## Seat section extension JUPITER / MARS

Material-No. 4549106



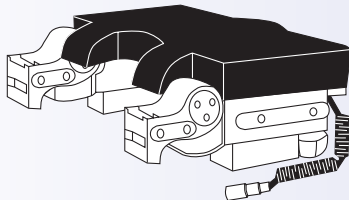
With two manually adjustable joints and mounting rails for X-ray cassettes. Leg sections can be connected to the seat section extension, integral foam, electrically conductive, soft and detachable pad, stainless steel frame.

### Technical data

Extension	275 mm
Width over standard rails	580 mm
Pad width	530 mm

## Seat section extension motorised

Material-No. 4544102



For mounting to OR tables or OR table tops with motor-driven BUS system.

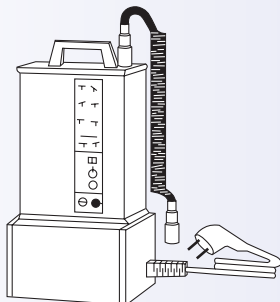
2 motor-driven, individually or jointly adjustable joints; control via the remote control of the OR table system. Electric connection to the table top by cable connection; integral foam, soft, detachable pad; stainless steel frame.

### Technical data

Extension	360 mm
Width over standard rails	580 mm
Pad width	530 mm
Weight	20 kg

## Operating panel for table top

Material-No. 4544124



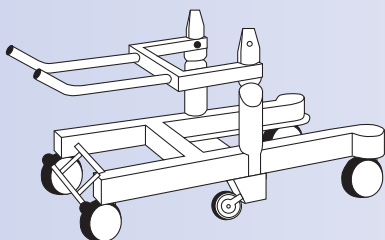
For adjusting the motor-driven table top functions on the transporter during induction and recovery in the operating theatre; with integrated battery and charging unit; for hooking onto the standard rail on the table top.

### Technical data

Weight	5 kg
--------	------

## Shuttle 1.6

Material-No. 1249145



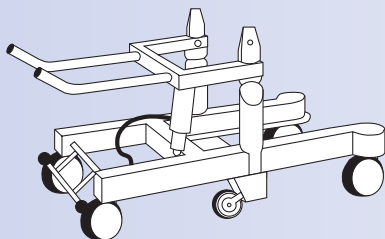
Mechanically washable transport unit for moving the OR table tops either individually or together with the mobile table column; central locking brake acting on all 4 double casters; free running and connectable fifth wheel as direction stabilization; foot switch for actuation of the transfer process; anti-static; transfer unit made of disinfectant-resistant, easy-to-clean stainless steel, chassis made of disinfectant-resistant aluminium alloy.

## Technical data

Length	1,520 mm
Width	750 mm
Height	780 mm
Castor diameter	150 mm
Patient weight	225 kg

## Shuttle 2.6

Material-No. 1249146



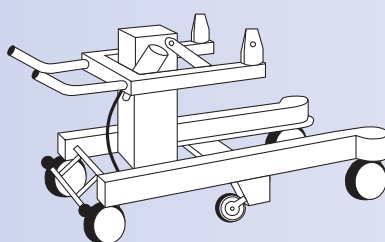
Mechanically washable transport unit for moving the OR table tops either individually or together with the mobile table column; progressive Trendelenburg/Anti-Trendelenburg adjustment by means of crank; central locking brake acting on all 4 double casters; free running and connectable fifth wheel as direction stabilization; foot switch for actuation of the transfer process; anti-static; transfer unit made of disinfectant-resistant, easy-to-clean stainless steel, chassis made of disinfectant-resistant aluminium alloy.

## Technical data

Length	1,520 mm
Width	750 mm
Height	780 mm
Castor diameter	150 mm
Trendelenburg	± 15°, progressive, with 0-Position
Patient weight	225 kg

## Shuttle 2.7

Material-No. 1254362



Mechanically washable transport unit for moving the OR table tops either individually or together with the mobile table column; with locking Trendelenburg/Anti-Trendelenburg fast adjustment; central locking brake acting on all 4 double casters; free running and connectable fifth wheel as direction stabilization; foot switch for actuation of the transfer process; anti-static; transfer unit made of disinfectant-resistant, easy-to-clean stainless steel, chassis made of disinfectant-resistant aluminium alloy.

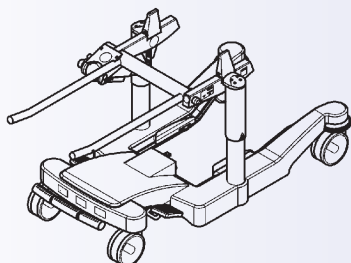
## Technical data

Length	1,516 mm
Width	692 mm
Height	780 mm
Castor diameter	150 mm
Trendelenburg	± 15° locking points: +15°, +10°, +5°, 0°, -5°, -10°, -15°
Patient weight	225 kg

# Technical details

Shuttle 3.6

Material-No. 1249147



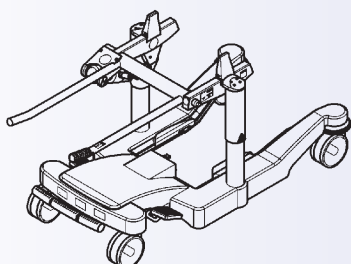
Mechanically washable transport unit for moving the OR table tops either individually or together with the mobile table column; with progressive Trendelenburg/Anti-Trendelenburg adjustment by means of crank; height adjustment by means of foot pedal on both sides; central locking brake acting on all 4 double casters; free running and connectable fifth wheel as direction stabilization; foot switch for actuation of the transfer process; anti-static; transfer unit made of disinfectant-resistant, easy-to-clean stainless steel, chassis made of disinfectant-resistant aluminium alloy.

#### Technical data

Length	1,520 mm
Width	750 mm
Height	780 mm
Castor diameter	150 mm
Trendelenburg	± 15°, progressive, with 0-Position
Patient weight	225 kg

Shuttle 3.7

Material-No. 1254363



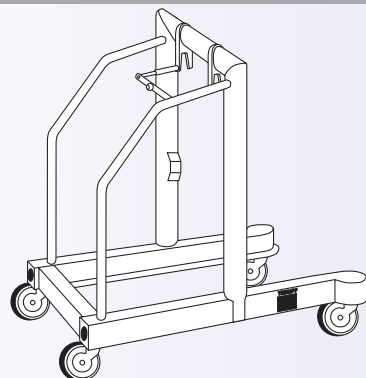
Mechanically washable transport unit for moving the OR table tops either individually or together with the mobile table column; with locking Trendelenburg/Anti-Trendelenburg fast adjustment; height adjustment by means of foot pedal on both sides; central locking brake acting on all 4 double casters; free running and connectable fifth wheel as direction stabilization; foot switch for actuation of the transfer process; anti-static; transfer unit made of disinfectant-resistant, easy-to-clean stainless steel, chassis made of disinfectant-resistant aluminium alloy.

#### Technical data

Length	1,516 mm
Width	692 mm
Height	780 mm
Höhenverstellung	230 mm
Castor diameter	150 mm
Trendelenburg	± 15° locking points: +15°, +10°, +5°, 0°, -5°, -10°, -15°
Patient weight	225 kg

Cleaning shuttle

Material-No. 4544210



For cleaning the underside of the base plate of the mobile column of the JUPITER operating table system, electrically conductive; made of disinfectant-resistant, easy to clean, special stainless steel.

#### Technical data

Length	280 mm
Width	780 mm
Height	1,150 mm
Castor diameter	150 mm
Weight	51.5 kg

**TRUMPF KREUZER**

**Medizin Systeme GmbH + Co. KG**

Benzstrasse 26  
82178 Puchheim  
Germany  
Telephone +49 (0) 89 / 8 09 07-0  
Telefax +49 (0) 89 / 8 09 07-20  
e-mail info@de.trumpf-med.com  
www.trumpf-med.com

**TRUMPF Medizin Systeme GmbH**

Carl-Zeiss-Strasse 5  
07318 Saalfeld  
Germany  
Telephone +49 (0) 36 71 / 5 86-0  
Telefax +49 (0) 36 71 / 5 86-1 65  
e-mail info@de.trumpf-med.com  
www.trumpf-med.com

**TRUMPF MED ITALIA s.r.l.**

Via C. Battisti, 31/C  
35010 Limena – PD  
Italy  
Telephone +39 0 49 - 8 84 38 00  
Telefax +39 0 49 - 8 84 11 24  
e-mail areaclienti@it.trumpf-med.com  
www.it.trumpf-med.com

**TRUMPF AMSA SAS**

146, Bd Charcot  
BP 477  
63013 Clermont-Ferrand cedex 1  
France  
Telephone +33 (0) 4 73 19 50 50  
Telefax +33 (0) 4 73 37 29 31  
e-mail trumpf-amsa@trumpf-amsa.com  
www.trumpf-med.com

**TRUMPF Medical Systems Ltd.**

The Granary Pinkney Park  
Malmesbury · Wiltshire · SN16 0NX  
Great Britain  
Telephone +44 (16) 66 84 10 01  
Telefax +44 (16) 66 84 10 08  
e-mail info@trumpf-med.co.uk  
www.trumpf-med.com

**TRUMPF Medical Systems, Inc.**

415 Jessen Lane  
Charleston, SC 29492  
USA  
Telephone +1 (843) 5 34 06 06  
Telefax +1 (843) 5 34 02 06  
e-mail info@us.trumpf-med.com  
www.trumpf-med.com

**TRUMPF KREUZER**

**Medizin Systeme GmbH & Co. KG  
(Singapore)**

3791 Jalan Bukit Merah #09-21  
Singapore 159471  
Telephone +65 62 72 - 78 68  
Telefax +65 62 72 - 78 68  
e-mail sales@trumpf-med.com.sg  
www.trumpf-med.com

**TRUMPF**

