

# Urology

<b>1</b>	<b><i>Cystoscopes</i></b>
<b>2</b>	<b><i>Urethrotomes</i></b>
<b>3</b>	<b><i>Resectoscopes</i></b>
<b>4</b>	<b><i>Uretero-Renoscopes</i></b>
<b>5</b>	<b><i>Nephroscopes</i></b>
<b>6</b>	<b><i>Lithotripsy (UreTron)</i></b>
<b>7</b>	<b><i>Laser Therapy</i></b>
<b>8</b>	<b><i>Small Caliber</i></b>
<b>9</b>	<b><i>Fluid Management</i></b>
<b>10</b>	<b><i>Accessories</i></b>

Richard Wolf Medical Instruments Corporation assumes no responsibility or liability for any errors or omissions in the content of this catalog. The information contained in this catalog is provided on an "as is" basis with no guarantees of completeness, accuracy, usefulness, or timeliness, and without warranties of any kind whatsoever, expressed or implied.

*E-line*

## Cysto-Urethroscopes 8650













### E-line design

The E-line design guarantees optimum handling and safe, fatigue-free operation as well as a wide range of possible combinations.



CYSTOSCOPES






### Basic Set for Cystoscopy

	<b>Cysto-urethroscope sheath, 19.5 Fr. with obturator</b>	<b>8650.0341</b>
	<b>Adapter with 1 instrument port</b>	<b>8650.264</b>
	<b>Insert with Albarran deflector, 2 instrument ports</b>	<b>8650.204</b>
	<b>Sterile universal sealing valve (pack of 5)</b>	<b>4712348</b>
	<b>Viewing obturator</b>	<b>8650.724</b>
	<b>Biopsy forceps Marburg</b>	<b>8650.614</b>
	<b>Grasping forceps</b>	<b>8650.684</b>
	<b>PANOVIEW telescope, 0°</b>	<b>8650.414</b>
	<b>PANOVIEW telescope, 70°</b>	<b>8650.415</b>
	<b>Otis urethrotome</b>	<b>8517.00</b>
	<b>Flexible connector</b>	<b>822.31 822.13</b>
	<b>Tray</b>	<b>8585030</b>

# PANOVIEW Telescopes

## Overview

CYSTOSCOPES

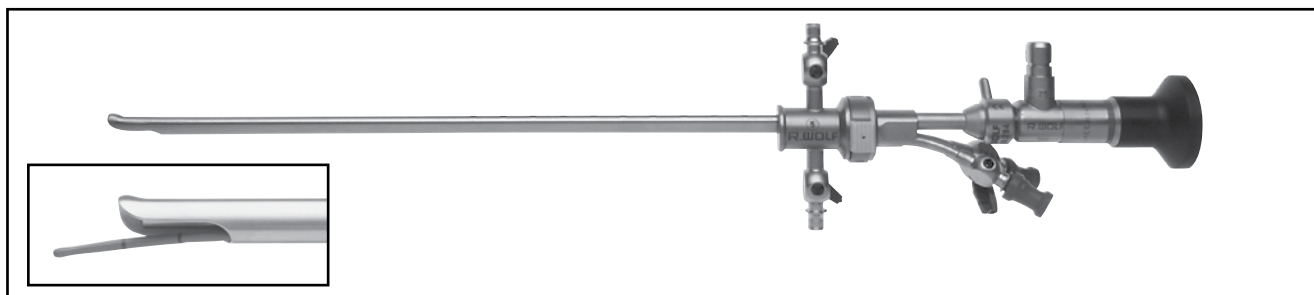
Viewing direction	Color code	Application	Ø mm		HD High Definition
0°	 blue	Standard	4	8650.414	
12°	 orange	Standard	4	8654.431	
30°	 red	Standard	4	8654.422	
		Long sheath	4	8668.433*	
70°	 yellow	Standard	4	8650.415	





\* Only 25° available.

# Cysto-Urethroscope


## 8650 *E-line*

for telescope 4 mm, 0°, 12°, 30°, 70° and adapters



Sheaths and obturators							Adapters		
									
Sheath incl. obturator	Sheath single	Horizontal Stopcocks	Obturator single	Fr.	Color code	Capacity (Fr.)	only for examination	1 Instrument port	2 Instrument ports
<b>8650.0141</b>	<b>8650.0145</b>	N/A	<b>8650.0147</b>	16	yellow	1x5*	<b>8650.254</b>	<b>8650.264</b>	<b>8650.284</b>
<b>8650.0241</b>	<b>8650.0245</b>	<b>8650.0245S01</b>	<b>8650.0247</b>	17.5	green	1x5 or 2x4			
<b>8650.0341</b>	<b>8650.0345</b>	<b>8650.0345S01</b>	<b>8650.0347</b>	19.5	red	1x7 or 2x5			
<b>8650.0441</b>	<b>8650.0445</b>	<b>8650.0445S01</b>	<b>8650.0447</b>	21	blue	1x10 or 2x6			
<b>8650.0541</b>	<b>8650.0545</b>	<b>8650.0545S01</b>	<b>8650.0547</b>	23	white	1x12 or 2x7			
<b>8650.0641</b>	<b>8650.0645</b>	N/A	<b>8650.0647</b>	25	black	1x15			

\* for urethroscopy (cystoscopy for diagnosis only with adapter 8650.254)

Ø	Viewing direction	Types	PANOVIEW telescopes
4 mm	0°	<b>8650.414</b>	
	12°	<b>8654.431</b>	
	30°	<b>8654.422</b>	
	70°	<b>8650.415</b>	



Accessories:

**Fiber light cable set**, Ø 2.5 mm, 3.0 m long ..... **806625301**

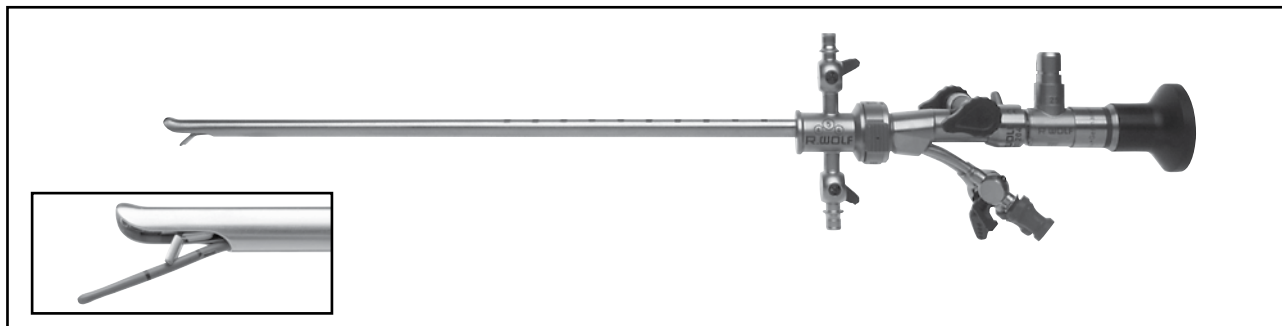
Consisting of:




Fiber light cable (80662530), adapter projector side (8095.07) and adapter endoscope side (809509)


Viewing obturators see page 8.

# Cysto-Urethroscope 8650 *E-line*

for telescope 4 mm, 30°, 70° and inserts with Albarran deflector



Sheaths and obturators						Inserts with Albarran deflector			
									
						1 Instrument port		2 Instrument ports	
Sheath incl. obturator	Sheath single	Obturator single	Fr.	Color code	Capacity (Fr.)	<b>8650.214</b>		<b>8650.204</b>	
<b>8650.0241</b>	<b>8650.0245</b>	<b>8650.0247</b>	17.5	green	1x5 or 2x4				
<b>8650.0341</b>	<b>8650.0345</b>	<b>8650.0347</b>	19.5	red	1x7 or 2x5				
<b>8650.0441</b>	<b>8650.0445</b>	<b>8650.0447</b>	21	blue	1x10 or 2x6				
<b>8650.0541</b>	<b>8650.0545</b>	<b>8650.0547</b>	23	white	1x12 or 2x7				

Ø	Viewing direction	Types	PANOVIEW telescopes
4 mm	30°	<b>8654.422</b>	
	70°	<b>8650.415</b>	



Accessories:

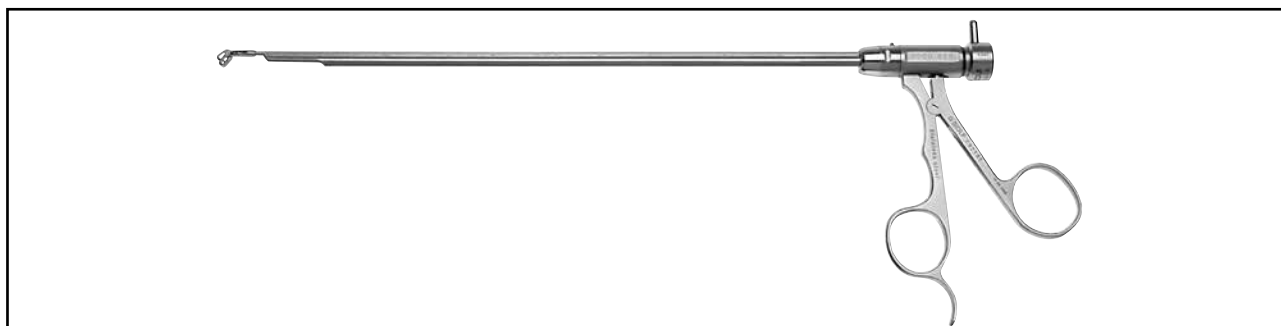
**Fiber light cable set**, Ø 2.5 mm, 3.0 m long ..... **806625301**








Consisting of:

Fiber light cable (80662530), adapter projector side (8095.07) and adapter endoscope side (809509)

Viewing obturators see page 8.

## Optical forceps and scissors for cysto-urethroscope 8650 with telescope 4 mm, 0°

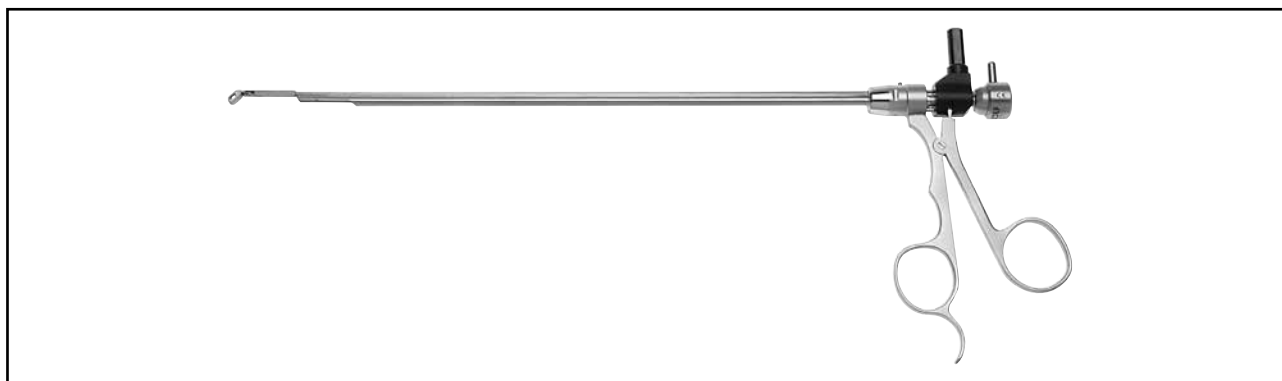



			for Sheaths from	Types
<b>Biopsy forceps</b> spoon shaped jaws, both opening			19.5 Fr.	<b>8650.604</b>
<b>Biopsy forceps "Marburg",</b> cutting action		The close proximity of the jaws to the telescope allows biopsies to be performed even in the area around the neck of the bladder.	19.5 Fr.	<b>8650.614</b>
<b>Biopsy forceps</b> with spoon-shaped jaws, retrograde cutting action		For biopsies in the transition area bladder neck / upper wall, as well as in the distal urethra.	19.5 Fr.	<b>8650.774</b>
<b>Scissors</b>		For opening ureteroceles, for cutting intruding sutures, for the removal of polyps at their base and for slitting the ostia.	19.5 Fr.	<b>8650.644</b>
<b>Grasping forceps</b> both jaws opening			19.5 Fr.	<b>8650.684</b>
<b>Foreign body forceps</b>		For crushing small soft calculi.	19.5 Fr.	<b>8650.654</b>
<b>Stone grasping forceps</b>		For small stones and for removing stone fragments.	23 Fr.	<b>8650.664</b>

## Optical coagulating biopsy forceps

for cysto-urethroscope 8650

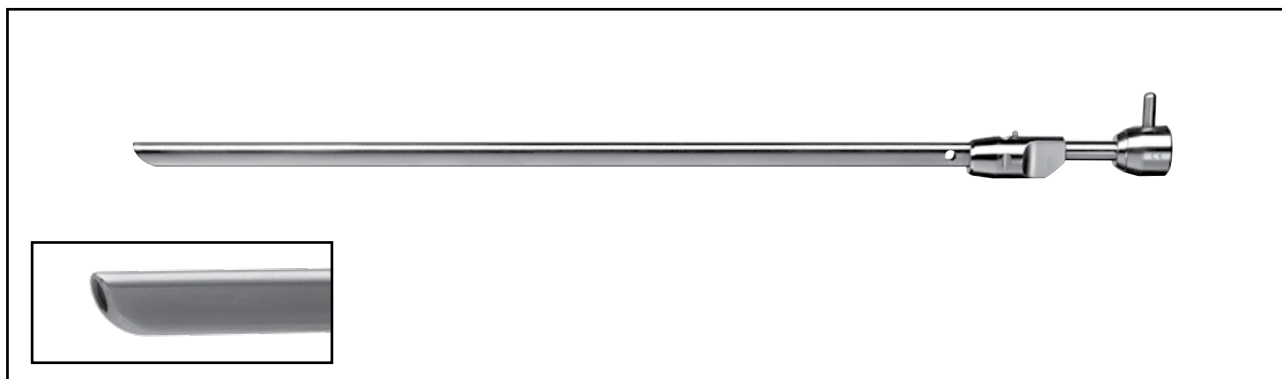
with telescope 4 mm, 0°




		for Sheaths from	Type
<p><b>Coagulating biopsy forceps</b> by Tauber</p> 	<p>For combined biopsy and hemostasis. Suitable for bladder mapping and quadrant biopsy. Instant hemostasis without changing instruments and time-consuming reorientation.</p>	21 Fr.	<b>8650.624</b>

HF connecting cable see page 51.

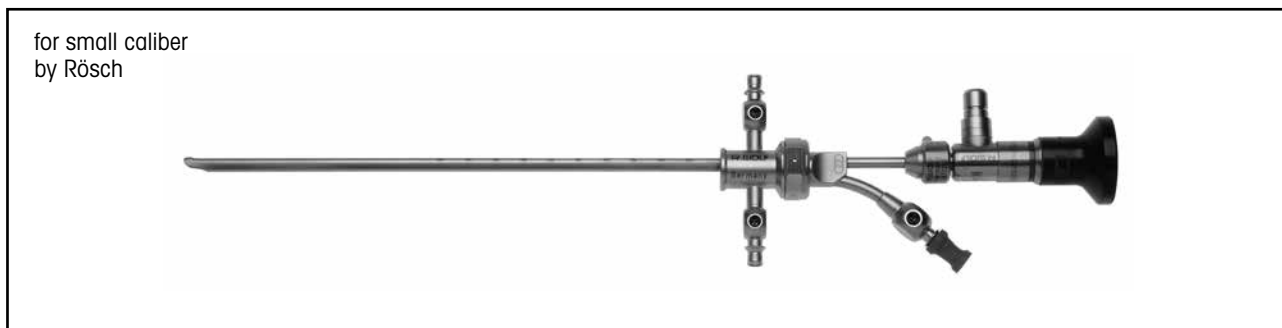
Viewing obturators for insertion  
of the sheath under vision  
with telescope 4 mm from 0° to 30°







	for Sheaths	Type
Viewing obturator 	17.5 Fr.	<b>8650.714</b>
	19.5 Fr.	<b>8650.724</b>
	21 Fr.	<b>8650.734</b>
	23 Fr.	<b>8650.744</b>

# U-Care

## Cysto urethroscope



Cysto-Urethroscope Sheath						Adapter
consisting of: Cysto-Urethroscope sheath, obturator and Luer lock connector (886.00)						
	Sheath single	Obturator single	Fr.	Color code	Capacity (Fr.)	1 Instrument port
<b>86720251</b>	<b>86720255</b>	<b>86720257</b>	12.5	green	5 Fr.	<b>8672265</b>
<b>86720451</b>	<b>86720455</b>	<b>86720457</b>	14.5	white	7 Fr.	

Ø	Viewing direction	Type	PANOVIEW telescope, distortion-free
2.7 mm	30°	<b>8672432</b>	 




Accessories:

**Fiber light cable set**, Ø 2.5 mm, 3.0 m long ..... **806625301**

Consisting of:

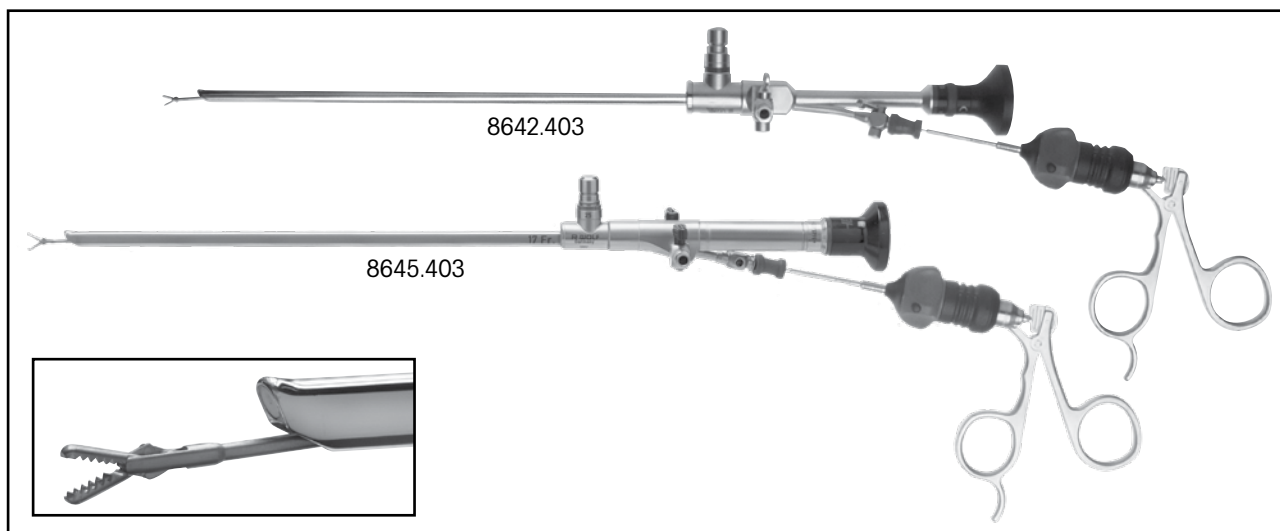
Fiber light cable (80662530), adapter projector side (8095.07) and adapter endoscope side (809509)

## Flexible accessory instruments

		mm	Fr.	Types
	Flexible biopsy forceps	315	5 Fr.	<b>829.05</b>
		375	7 Fr.	<b>829.07</b>
	Flexible foreign body forceps	315	5 Fr.	<b>828.05</b>
		365	7 Fr.	<b>828.07</b>
	Flexible scissors with indented edge	375	7 Fr.	<b>830.07</b>

## Atraumatic compact cysto-urethrosopes

14, 17 Fr., 25°



### For clinique and practice

- Outpatient urethro-cystoscopy, with less stress on the patient
- Biopsy specimens even from the prostate area
- Foreign body extraction (e.g. removal of stents)
- Retrograde manipulation
- Treatment of strictures
- Powerful PANOVIEW PLUS telescope, 25° viewing direction, panoramic field of view, exceptional detail
- Specially shaped atraumatic distal tip
- Compact and sturdy construction

Compact cysto-urethroscope, atraumatic	WL	Fr.	for accessory instruments	Shape	Telescope 25°
<b>8642.403</b>	218 mm	<b>14</b>	up to 5 Fr.	oval	PANOVIEW Plus with enlarged image and object field
<b>8645.403</b>	225 mm	<b>17</b>	up to 7 Fr.	oval	

Accessories:

**Fiber Light Cable Bundle**, Ø 2.5 mm, 3.0 m long ..... **806625301**





consisting of:

Fiber light cable (80662530), adapter projector side (8095.07) and adapter endoscope side (809509)

Accessory instruments see next page.

## Flexible accessory instruments

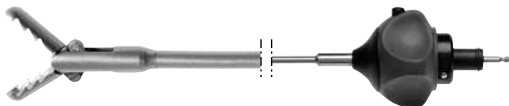


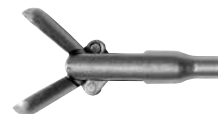




for atraumatic compact  
cysto-urethrosopes 14, 17 Fr., 25°

		mm	Fr.	Types
	Flexible biopsy forceps	315	5 Fr.	<b>829.05</b>
		375	7 Fr.	<b>829.07</b>
	Flexible grasping forceps	430	6.5 Fr.	<b>8736.684</b>
	Flexible foreign body forceps	315	5 Fr.	<b>828.05</b>
		365	7 Fr.	<b>828.07</b>
	Flexible scissors with indented edge	375	7 Fr.	<b>830.07</b>

## Rigid accessory instruments

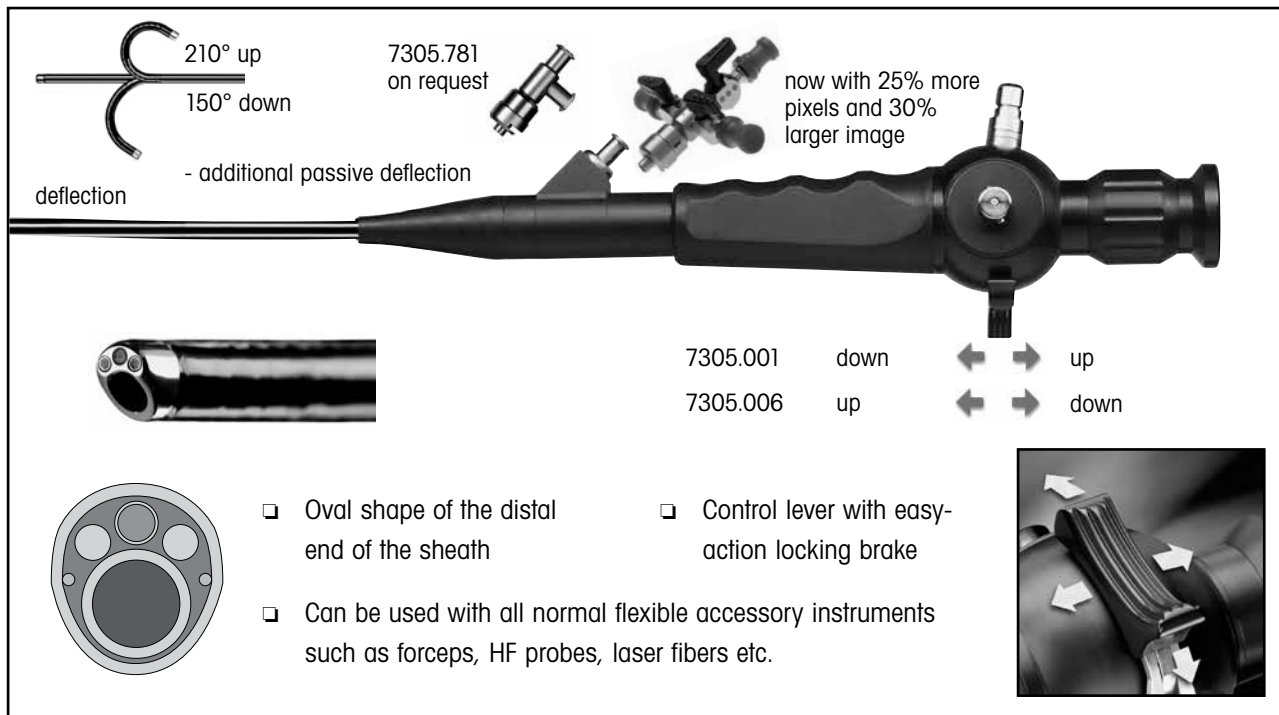
for atraumatic compact cysto-urethrosopes 14, 17 Fr., 25°  
micro modular system **HySafe**

CYSTOSCOPES

Insert with sheath					Handle with overload protection 	<b>Complete instrument</b> • Insert with sheath • Handle  Types
	Recommended fields of application	Types	Fr.	WL		
<b>Grasping forceps with alligator jaws</b> 	<b>Cystoscopy</b>	<b>8642.6508</b>	5 Fr.	340	<b>8083.001</b>	<b>8642.6502</b>
<b>Biopsy forceps, spoon</b> 		<b>8645.6508</b>	7 Fr.	325		<b>8645.6502</b>
<b>Biopsy forceps</b> 		<b>8642.6008</b>	5 Fr.	340		<b>8642.6002</b>
<b>Biopsy punch</b> 		<b>8645.6008</b>	7 Fr.	325		<b>8645.6002</b>
<b>Micro scissors</b> 		<b>8642.6318</b>	5 Fr.	340		<b>8642.6312</b>
<b>Grasping forceps with alligator jaws</b> 		<b>8642.6818</b>	5 Fr.	340		<b>8642.6812</b>
			<b>8968.6808</b>	6 Fr.		410

- ❑ Flushable – optimum internal cleaning
- ❑ Easy-Click – easy and fast assembly
- ❑ Overload protection – significantly longer life

## Flexible fiber-urethro-cystoscope 5 mm / 15 Fr. Channel 2.5 mm / 7.5 Fr.



- Safe and atraumatic passage through the urethra is provided by the oblique distal tip
- Reduced weight and ergonomic design for optimal handling and less strain on the operator
- 0° viewing direction, 120° angle of view

Flexible fiber-urethro-cystoscope set	included in set Fiber-urethro-cystoscope	Outer diameter	Instrument channel	Working length	Set
consisting of: Fiber-urethro-cystoscope, instrument port (7305.782), leak tester (163.903), gas sterilization valve (163.904), disposable cleaning brush (7990002), case	7305.001	5 mm / 15 Fr.	2.5 mm / 7.5 Fr.	400 mm	Forward movement of the control lever provides downward movement of the tip <b>730500111</b>
	7305.006				Forward movement of the control lever provides upward movement of the tip <b>730500611</b>

Accessories:

**Fiber light cable set**, Ø 2.5 mm, 3.0 m long ..... **806625301**

Consisting of:

Fiber light cable (80662530), adapter projector side (8095.07) and adapter endoscope side (809509)

## Accessory instruments for flexible fiber-urethro-cystoscope

### ENDOCAM® Logic 4k Camera Controller Bundle

can also be used with Pendual Camera Head ..... 552530115

### LCD MONITOR 4K 31"

for pin-sharp endo images ..... LMD-X310MD






optional:

Monitor Stand ..... 5370.0190

Flexible Fiberscope Tray..... 85850302

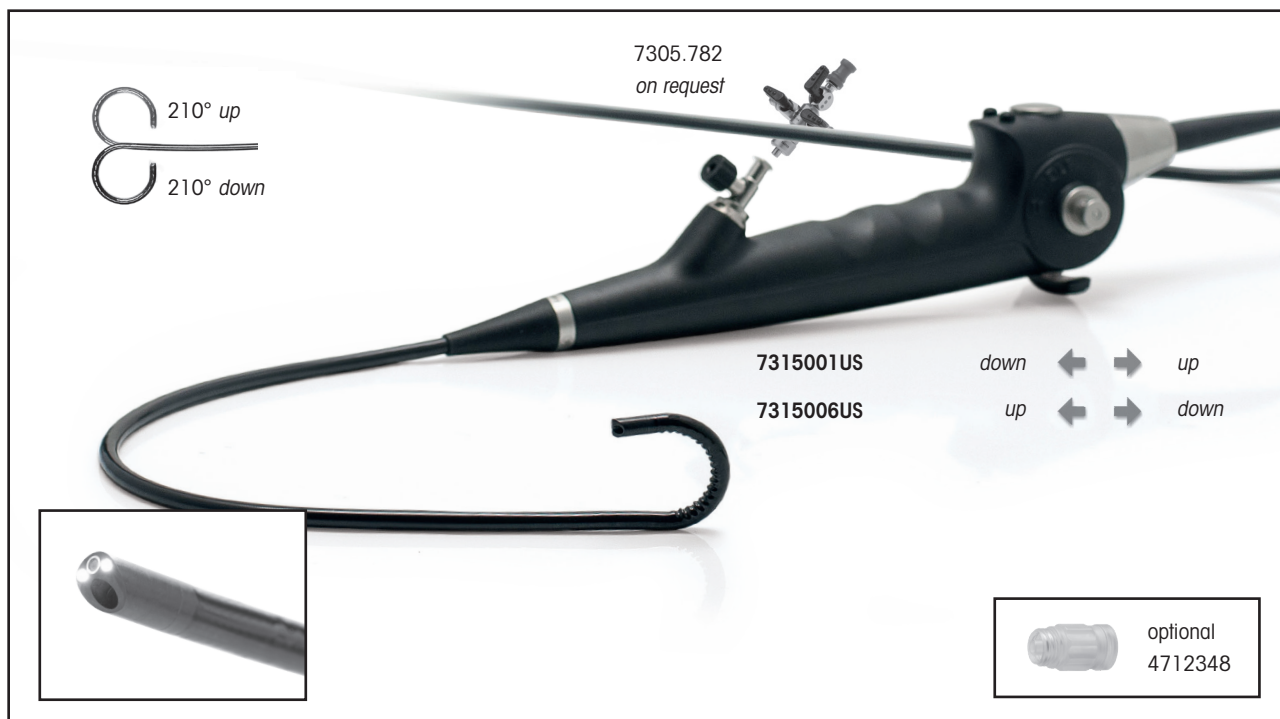


## Accessory instruments for flexible fiber-urethro-cystoscope

	Ø	WL	Types
<b>Biopsy forceps</b> Extra long jaws to obtain a larger specimen 	5 Fr.	550 mm	<b>829.051</b>
<b>Mouse-tooth grasping forceps</b> , Safe and effective grasping with mouse-tooth geometry 	5 Fr.	550 mm	<b>8735.685</b>
	6.5 Fr.	550 mm	<b>8736.685</b>
<b>Attachment</b> with 2 Luer connectors, quick-lock mechanism 			<b>7305.781</b>
also: <b>Luer sealing cap</b> 			<b>15023205</b>
for inserting accessory instruments of 1 – 6 Fr. <b>Sterile universal sealing valve</b> (pack of 5) 			<b>4712348</b>

## MAMBA vision

### Flexible sensor cystoscope



- ❑ Patient friendly thanks to extremely thin and highly flexible outer sheath
- ❑ High level of irrigation performance on account of the 7.5 Fr. working channel
- ❑ Excellent image quality and outstanding illumination by means of two distally integrated LEDs
- ❑ 210° articulation upward/downward
- ❑ No separate light source and light cable necessary
- ❑ Channel position for precise positioning of the auxiliary instrument at 3 o'clock

**Sensor-cystoscope bndl 16.2 Ch, WL 400 mm,**  
 Ø 11.5/16.2 Fr., working and irrigation channel Ø 7.5 Fr.,  
 viewing direction 0°, angle of view 110°  
 forward movement of the control lever distally -  
 articulation of the tip upwards ..... 7315001US  
 articulation of the tip downwards ..... 7315006US







**Sensor-cystoscope bndl**  
 consisting of:  
 Leak tester for flex. Endoscopes (163.903)  
 Pressure equalization valve (163.904)  
 Rinsing set V (163910)  
 Luer Sealing Cap (15023205)  
 Sensor-cystoscope 16.2 Fr., WL 400 mm (7315001US)  
 forward movement of the control lever distally -  
 articulation of the tip upwards ..... 73150011US

**Sensor-cystoscope bndl**  
 consisting of:  
 Leak tester for flex. Endoscopes (163.903)  
 Pressure equalization valve (163.904)  
 Rinsing set V (163910)  
 Luer Sealing Cap (15023205)  
 Sensor-cystoscope 16.2 Fr., WL 400 mm (7315006US)  
 forward movement of the control lever distally -  
 articulation of the tip downwards ..... 73150061US

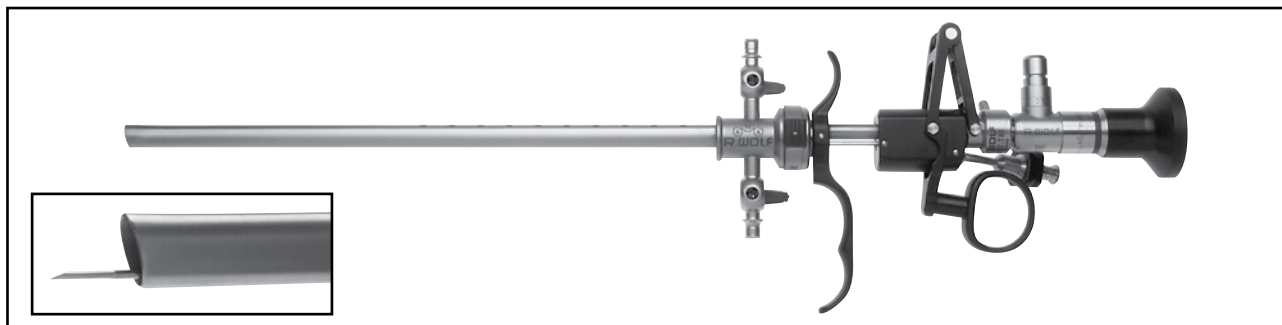
## MAMBA vision

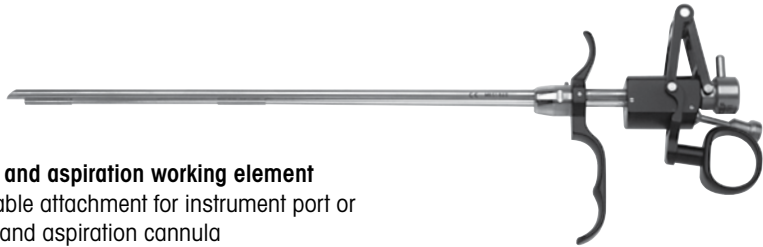



### Flexible sensor cystoscope



#### Accessories and auxiliary instruments

	Ø	WL	Types
<p><b>Biopsy forceps</b> Extra long jaws to obtain a larger specimen</p> 	5 Fr.	550 mm	<b>829.051</b>
<p><b>Mouse-tooth grasping forceps</b>, Safe and effective grasping with mouse-tooth geometry</p> 	5 Fr.	550 mm	<b>8735.685</b>
<p><b>Adapter</b> with instrument insertion tap</p> 			<b>7305.782</b>
<p><b>Universal sealing valve</b> (pack of 5) for inserting auxiliary instruments of 1 – 6 Fr., sterile, for single use</p> 			<b>4712348</b>
<p>For closing the 2nd luer connector: <b>Luer sealing cap</b></p> 			<b>15023205</b>
<p><b>Rinsing set V</b> with double luer lock tube connector</p> 			<b>163910</b>

## Set for transurethral incontinence therapy *E-line*



		Types
 <b>Injection- and aspiration working element</b> with rotatable attachment for instrument port or injection- and aspiration cannula		8652.781*
 <b>Injection- and aspiration cannula</b> , semirigid, 3 Fr.		8652.7775
 <b>Insertion stopcock</b> for accessory instruments up to 4 Fr.		8652.788
 <b>Sheath with obturator</b> 21 Fr.		8652.0441

Ø	Viewing direction	Types	PANOVIEW telescope
4 mm	30°	8654.422	 

Accessories:

**Fiber light cable set**, Ø 2.5 mm, 3.0 m long ..... **806625301**

Consisting of:

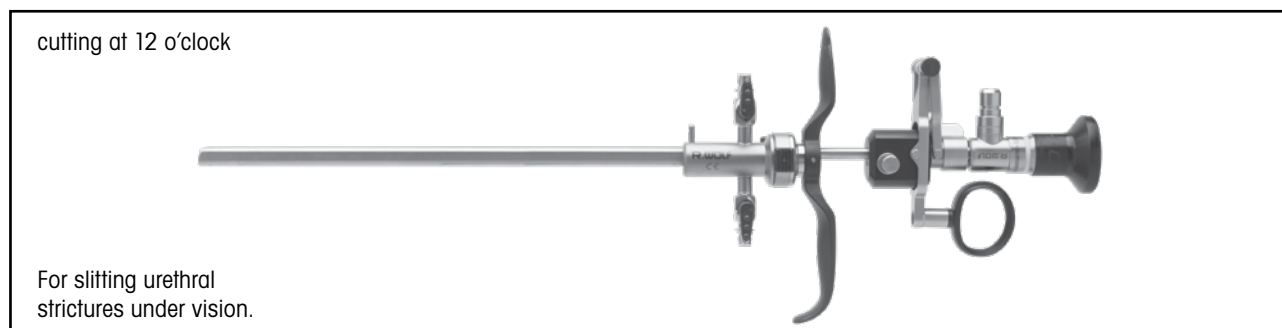
Fiber light cable (80662530), adapter projector side (8095.07) and adapter endoscope side (809509)

\* The working element 8652.781 can be used additionally in all resectoscope sheaths with a capacity of 24 Fr. or larger.





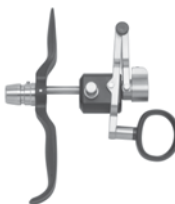
# Optical urethrotome



## 8667 *E-line*

for telescope 4 mm, 0°



URETHROTOMES

		Type
<b>Sheath 20.5 Fr.</b> with instrument port for lateral insertion of a catheter (4 Fr.)		<b>8667.011</b>
<b>Hollow obturator</b> can be inserted in the urethra via a guide catheter		<b>8667.111</b>
<b>Guide tube</b> with latering opening for inserting a 16 Fr. balloon catheter		<b>8667.161</b>
<b>Attachment</b> with 1 instrument port capacity max. 10 Fr.		<b>8652.264</b>
<b>Working insert</b> for stricture scalpel		<b>8667.911</b>

Ø	Viewing direction	Type	PANOVIEW telescope
4 mm	0°	<b>8650.414</b>	 

Accessories:





**Fiber light cable set**, Ø 2.5 mm, 3.0 m long ..... **806625301**





Consisting of:

Fiber light cable (80662530), adapter projector side (8095.07) and adapter endoscope side (809509)

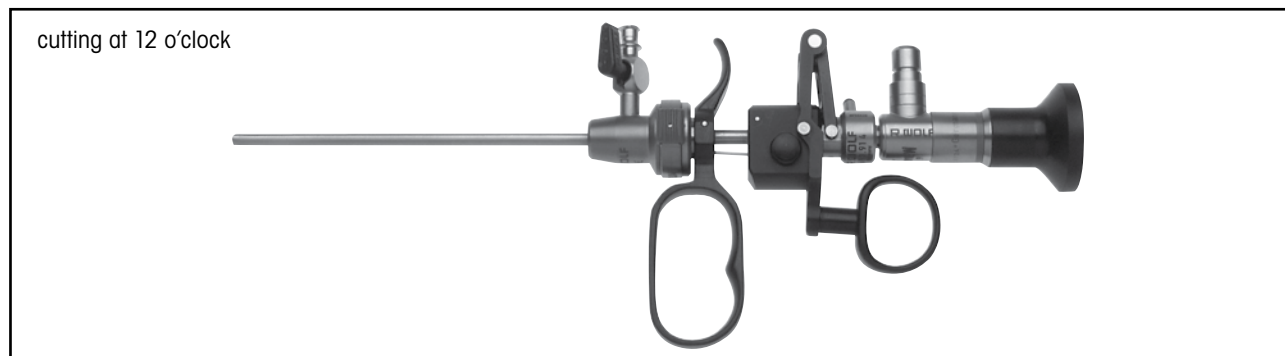
## Stricture scalpel for optical urethrotome 8667

- ❑ Unique cutting capacity with ceramic blade
- ❑ Sharp cut over much longer period
- ❑ Compatible with the current and previous Richard Wolf systems


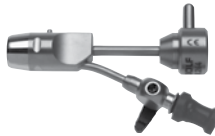






Stricture scalpel with ceramic blade	Sheath	Blade / Shape	Types
	solid	half moon	<b>8667.961</b>
	hollow (for 4 Fr. ureteric catheters)	half moon	<b>8667.966</b>
	hollow (for 4 Fr. ureteric catheters)	Shark-fin for narrow stenoses	<b>8667.971</b>
	solid	lancet	<b>8667.981</b>

Stricture scalpel (steel)	Sheath	Blade / Shape	Types
	hollow (for 4 Fr. ureteric catheters)	half moon	<b>8667.965</b>
	solid	half moon	<b>8667.96</b>
	solid	lancet	<b>8667.98</b>
	solid	sickle shaped	<b>8667.93</b>

## Small Caliber Optical urethrotome for telescope 1.9 mm



URETHROTOMES

Sheath, with fixed irrigation tap, including obturator				Adapter for examination and probing	Working element
					
	Fr.	Color code	Capacity (Fr.)	<b>1 Instrument port</b>	
<b>8693.0141</b>	8.5	red	3	<b>8688.264</b>	<b>8693.914</b>
<b>Stricture scalpels</b>				Blade	Types
				<b>Ceramic / half moon</b>	<b>8693.961</b>
				<b>sickle-shaped</b>	<b>8693.93</b>
				<b>hook-shaped</b>	<b>8688.94</b>
Ø	Viewing direction	Type		PANOVIEW telescope	
1.9 mm	0°	<b>8686.414</b>			

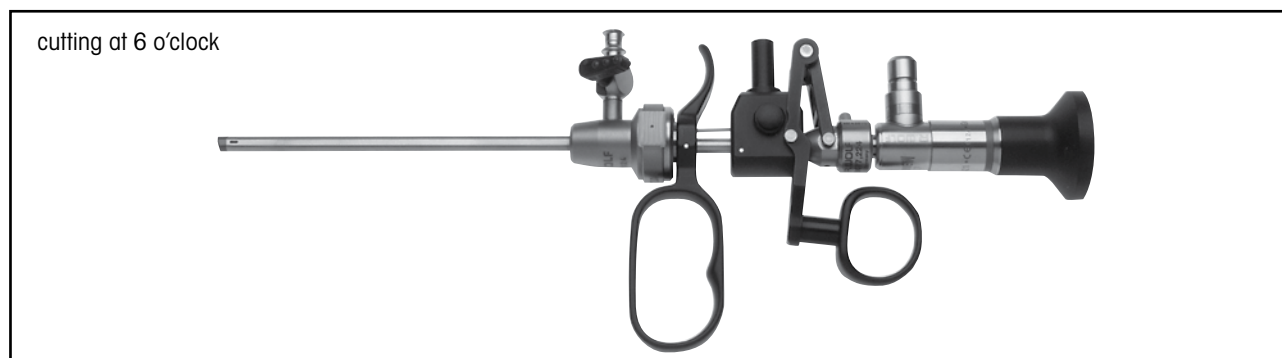
Accessories:

**Fiber light cable set**, Ø 2.5 mm, 3.0 m long ..... **806625301**






Consisting of:



Fiber light cable (80662530), adapter projector side (8095.07) and adapter endoscope side (809509)

## Small Caliber Optical urethrotome for telescope 2.7 mm



URETHROTOMES

Sheath, with fixed irrigation tap and obturator, insulated distal tip			Adapter for examination (without port)	Working element passive cutting action
				
	Fr.	Color code		
<b>8677.0141</b>	11.5	yellow	<b>8677.254</b>	<b>8677.224</b>
<b>Stricture scalpels</b>			Blade	Types
			<b>Ceramic / half moon</b>	<b>8677.961</b>
			<b>sickle shaped</b>	<b>8677.93</b>

Ø	Viewing direction	Type	PANOVIEW telescope
2.7 mm	0°	<b>8672.421</b>	 

Accessories:

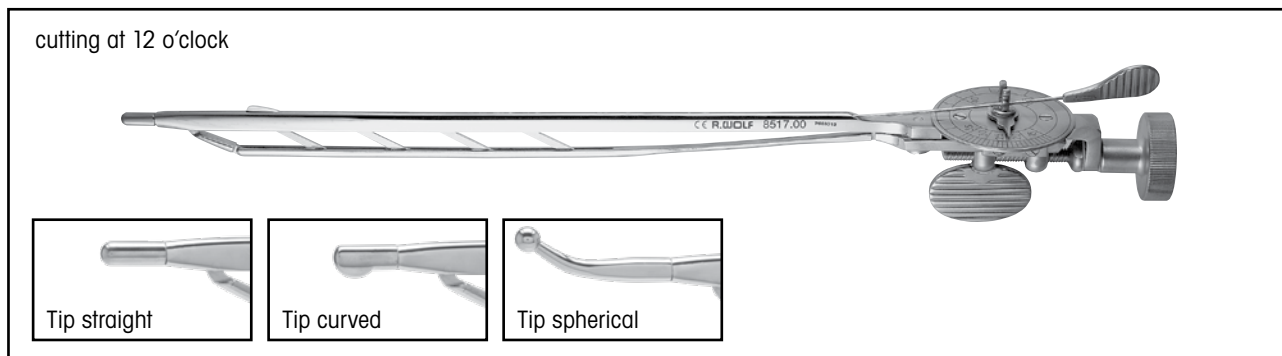
**Fiber light cable set**, Ø 2.5 mm, 3.0 m long ..... **806625301**

Consisting of:


Fiber light cable (80662530), adapter projector side (8095.07) and adapter endoscope side (809509)

# Urethrotome

for blind slitting



URETHROTOMES

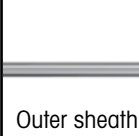
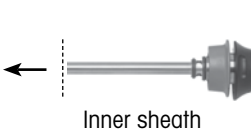






	Fr.	Working Length	Types
<b>OTIS urethrotome</b> with 3 interchangeable tips (straight, curved and spherical) including 2 knives	15 - 45	200 mm	8517.00
<b>Spare knife</b> 			8517.90


**Shark Resectoscope, bipolar**


for telescope 4 mm, 12°, 30°

with continuous-irrigation double-sheath system for resection in saline



Color code	Distal tip	Sheaths, inner sheath with distal ceramic insulation		Obturator	Viewing obturator	Dilation obturator	Electrodes
<b>Sheaths</b>							
		Outer sheath	Inner sheath				
<b>22 / 24 Fr.</b> green		<b>8675424</b>	<b>8675322</b>	<b>8673022</b>	<b>8673122</b>	-	See page 42-43.
<b>24 / 26 Fr.</b> yellow		<b>8675426</b>	<b>8675324</b>	<b>8673024</b>	<b>8673124</b>	<b>8673224</b>	

Working elements	Handle type	Cutting action	Type
	closed	passive	<b>8680.225</b>

Ø	Viewing direction	Types	PANOVIEW telescopes
4 mm	12°	<b>8654.431</b>	
	30°	<b>8654.422</b>	



Accessories:

**Fiber light cable set**, Ø 2.5 mm, 3.0 m long ..... **806625301**

Consisting of:

Fiber light cable (80662530), adapter projector side (8095.07) and adapter endoscope side (809509)

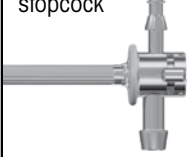







Bipolar connecting cable see page 50.


**Shark Resectoscope, bipolar**


for telescope 4 mm, 12°, 30°

with intermittent irrigation with central tap for resection in saline



Color code	Distal tip	Sheaths, inner sheath with distal ceramic insulation		Obturator	Viewing obturator	Dilation obturator	Electrodes
<b>Sheaths</b>		Sheath with central stopcock 	Connecting part 				
<b>24 Fr. yellow</b>		<b>8676424</b>	<b>8676342</b>	<b>8673024</b>	<b>8673124</b>	<b>8673224</b>	<b>See page 42-43.</b>
<b>26 Fr. black</b>		<b>8676426</b>	<b>8676343</b>	<b>8673026</b>	<b>8673126</b>	<b>8673226</b>	

Working elements	Handle type	Cutting action	Type
	closed	passive	<b>8680.225</b>

Ø	Viewing direction	Types	PANOVIEW telescopes
4 mm	12°	<b>8654.431</b>	
	30°	<b>8654.422</b>	



Accessories:

**Fiber light cable set**, Ø 2.5 mm, 3.0 m long ..... **806625301**

Consisting of:

Fiber light cable (80662530), adapter projector side (8095.07) and adapter endoscope side (809509)

Bipolar connecting cable see page 50.



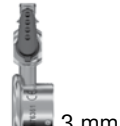






RESECTOSCOPES


**Shark Resectoscope, bipolar**



for telescope 4 mm, 12°, 30°

with intermittent irrigation and rotating irrigation adapter for resection in saline



Color code	Distal tip	Sheaths, inner sheath with distal ceramic insulation			Obturator	Viewing obturator	Dilation obturator	Electrodes
<b>Sheaths</b>		Resectoscope sheath 	Rotatable irrigation adapter  4 mm Luer connector  3 mm Luer stopcock					
<b>24 Fr. yellow</b>		<b>8676324</b>	<b>8676354*</b>	<b>8676361</b>	<b>8673024</b>	<b>8673124</b>	<b>8673224</b>	See page 42-43.
<b>26 Fr. black</b>		<b>8676326</b>	<b>8676354*</b>	<b>8676361</b>	<b>8673026</b>	<b>8673126</b>	<b>8673226</b>	

Working elements	Handle type	Cutting action	Type
	closed	passive	<b>8680.225</b>

Ø	Viewing direction	Types	PANOVIEW telescopes
4 mm	12°	<b>8654.431</b>	 
	30°	<b>8654.422</b>	

Accessories:

**Fiber light cable set, Ø 2.5 mm, 3.0 m long ..... 806625301**

Consisting of:

Fiber light cable (80662530), adapter projector side (8095.07) and adapter endoscope side (809509)

\* For connection to the rotatable irrigation adapter 8676354:

**Two-way tap with Luer lock connector ..... 883.12**

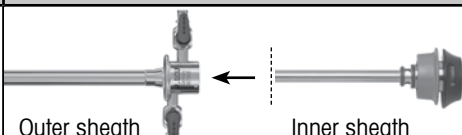






Bipolar connecting cable see page 50.


## Resectoscope, bipolar



for telescope 4 mm, 12°, 0°

with continuous-irrigation double-sheath system for resection in saline



Color code	Distal tip	Sheaths, inner sheath with distal ceramic insulation		Obturator	Viewing obturator	Dilation obturator	Electrodes
<b>Sheaths</b>		 Outer sheath      Inner sheath					
<b>22 / 24 Fr.</b> green		<b>8675424</b>	<b>8675322</b>	<b>8673022</b>	<b>8673122</b>	-	<b>See page 42-43.</b>
<b>24 / 26 Fr.</b> yellow		<b>8675426</b>	<b>8675324</b>	<b>8673024</b>	<b>8673124</b>	<b>8673224</b>	

Working elements	Handle type	Cutting action	Type
	closed	passive	<b>8680.225</b>

Ø	Viewing direction	Type	PANOVIEW telescope
4 mm	0°	<b>8650.414</b>	 

Accessories:

**Fiber light cable set**, Ø 2.5 mm, 3.0 m long ..... **806625301**

Consisting of:

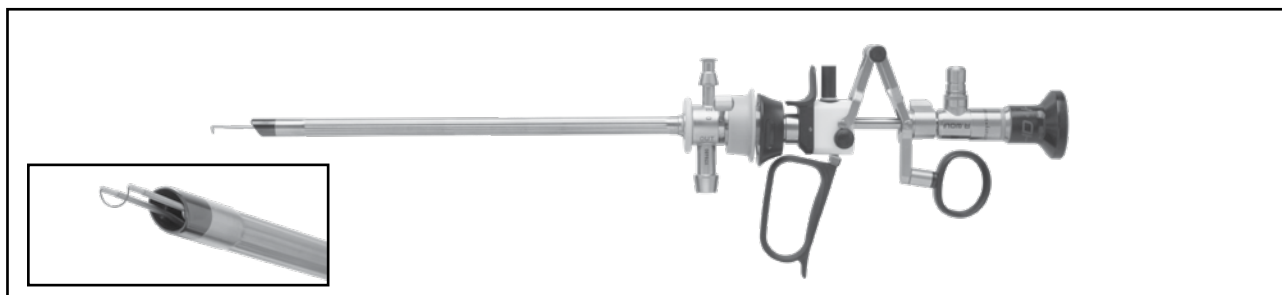
Fiber light cable (80662530), adapter projector side (8095.07) and adapter endoscope side (809509)

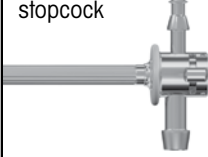







Bipolar connecting cable see page 50.

**Shark Resectoscope, bipolar**


for telescope 4 mm, 0°



with intermittent irrigation with central tap for resection in saline



Color code	Distal tip	Sheaths, inner sheath with distal ceramic insulation		Obturator	Viewing obturator	Dilation obturator	Electrodes
<b>Sheaths</b>		Sheath with central stopcock 	Connecting part 				
<b>24 Fr. yellow</b>		<b>8676424</b>	<b>8676342</b>	<b>8673024</b>	<b>8673124</b>	<b>8673224</b>	<b>See page 42-43.</b>
<b>26 Fr. black</b>		<b>8676426</b>	<b>8676343</b>	<b>8673026</b>	<b>8673126</b>	<b>8673226</b>	

**RESECTOSCOPES**

Working elements	Handle type	Cutting action	Type
	closed	passive	<b>8680.225</b>

Ø	Viewing direction	Type	PANOVIEW telescope
4 mm	0°	<b>8650.414</b>	 

Accessories:

**Fiber light cable set, Ø 2.5 mm, 3.0 m long ..... 806625301**










Consisting of:


Fiber light cable (80662530), adapter projector side (8095.07) and adapter endoscope side (809509)



Bipolar connecting cable see page 50.

**Shark Resectoscope, bipolar**  
for telescope 4 mm, 0° with intermittent irrigation and rotating irrigation adapter for resection in saline



Color code	Distal tip	Sheaths, inner sheath with distal ceramic insulation			Obturator	Viewing obturator	Dilation obturator	Electrodes
<b>Sheaths</b>		Resectoscope sheath	Rotatable irrigation adapter					
			 4 mm Luer connector	 3 mm Luer stopcock				
<b>24 Fr. yellow</b>		<b>8676324</b>	<b>8676354*</b>	<b>8676361</b>	<b>8673024</b>	<b>8673124</b>	<b>8673224</b>	See page 42-43.
<b>26 Fr. black</b>		<b>8676326</b>	<b>8676354*</b>	<b>8676361</b>	<b>8673026</b>	<b>8673126</b>	<b>8673226</b>	

Working elements	Handle type	Cutting action	Type
	closed	passive	<b>8680.225</b>

Ø	Viewing direction	Type	PANOVIEW telescope
4 mm	0°	<b>8650.414</b>	 

Accessories:

**Fiber light cable set**, Ø 2.5 mm, 3.0 m long ..... **806625301**

Consisting of:

Fiber light cable (80662530), adapter projector side (8095.07) and adapter endoscope side (809509)

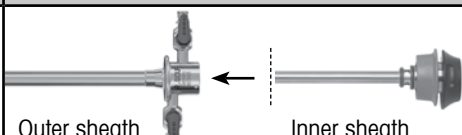






\* For connection to the rotatable irrigation adapter 8676354:


**Two-way tap** with Luer lock connector ..... **883.12**


Bipolar connecting cable see page 50.

**Shark Resectoscope, monopolar**  
for telescope 4 mm, 12°, 30°  
with continuous-irrigation double-sheath system



Color code	Distal tip	Sheaths, inner sheath with distal ceramic insulation		Obturator	Viewing obturator	Dilation obturator	Electrodes
<b>Sheaths</b>							
<b>22 / 24 Fr. green</b>		<b>8675424</b>	<b>8675322</b>	<b>8673022</b>	<b>8673122</b>	-	<b>See page 44-45.</b>
<b>24 / 26 Fr. yellow</b>		<b>8675426</b>	<b>8675324</b>	<b>8673024</b>	<b>8673124</b>	<b>8673224</b>	

Working elements	Handle type	Cutting action	Type
	closed	passive	<b>8674.225</b>

Ø	Viewing direction	Types	PANOVIEW telescopes
4 mm	12°	<b>8654.431</b>	
	30°	<b>8654.422</b>	



Accessories:

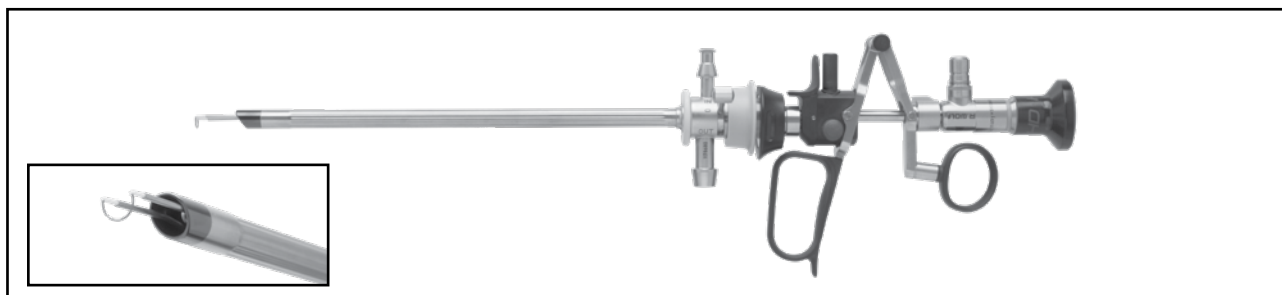
**Fiber light cable set, Ø 2.5 mm, 3.0 m long ..... 806625301**









Consisting of:


Fiber light cable (80662530), adapter projector side (8095.07) and adapter endoscope side (809509)


HF connecting cable see page 51.

**Shark** Resectoscope, monopolar  
for telescope 4 mm, 12°, 30°  
with intermittent irrigation with central tap



Color code	Distal tip	Sheaths, inner sheath with distal ceramic insulation		Obturator	Viewing obturator	Dilation obturator	Electrodes
<b>Sheaths</b>		Sheath with central stopcock 	Connecting part 				
<b>24 Fr. yellow</b>		<b>8676424</b>	<b>8676342</b>	<b>8673024</b>	<b>8673124</b>	<b>8673224</b>	See page 44-45.
<b>26 Fr. black</b>		<b>8676426</b>	<b>8676343</b>	<b>8673026</b>	<b>8673126</b>	<b>8673226</b>	

Working elements	Handle type	Cutting action	Type
	closed	passive	<b>8674.225</b>

Ø	Viewing direction	Types	PANOVIEW telescopes
4 mm	12°	<b>8654.431</b>	
	30°	<b>8654.422</b>	



Accessories:

**Fiber light cable set**, Ø 2.5 mm, 3.0 m long ..... **806625301**

Consisting of:










Fiber light cable (80662530), adapter projector side (8095.07) and adapter endoscope side (809509)


HF connecting cable see page 51.


RESECTOSCOPES

**Shark** Resectoscope, monopolar  
for telescope 4 mm, 12°, 30°  
with intermittent irrigation and rotating irrigation adapter



Color code	Distal tip	Sheaths, inner sheath with distal ceramic insulation			Obturator	Viewing obturator	Dilation obturator	Electrodes
<b>Sheaths</b>		Resectoscope sheath 	Rotatable irrigation adapter  4 mm Luer connector  3 mm Luer stopcock					
<b>24 Fr. yellow</b>		<b>8676324</b>	<b>8676354*</b>	<b>8676361</b>	<b>8673024</b>	<b>8673124</b>	<b>8673224</b>	See page 44-45.
<b>26 Fr. black</b>		<b>8676326</b>	<b>8676354*</b>	<b>8676361</b>	<b>8673026</b>	<b>8673126</b>	<b>8673226</b>	

Working elements	Handle type	Cutting action	Type
	closed	passive	<b>8674.225</b>

Ø	Viewing direction	Types	PANOVIEW telescopes
4 mm	12°	<b>8654.431</b>	 <b>HD</b> High Definition
	30°	<b>8654.422</b>	

Accessories:

**Fiber light cable set**, Ø 2.5 mm, 3.0 m long ..... **806625301**

Consisting of:

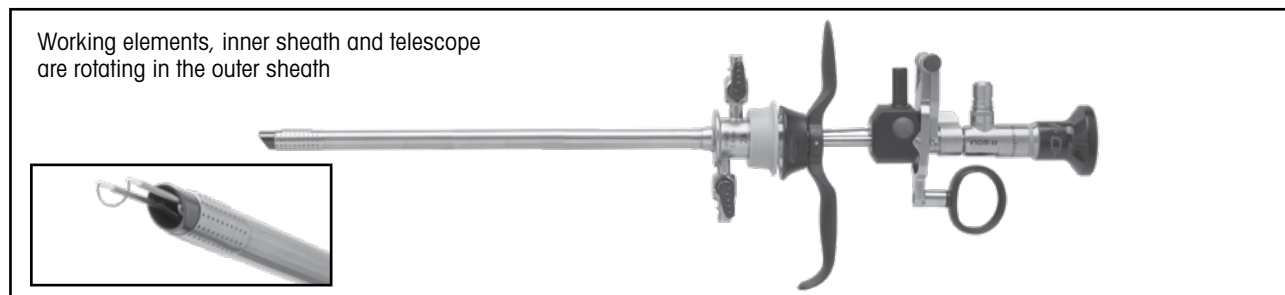
Fiber light cable (80662530), adapter projector side (8095.07) and adapter endoscope side (809509)

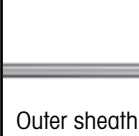
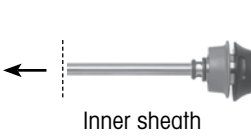






\* For connection to the rotatable irrigation adapter 8676354:

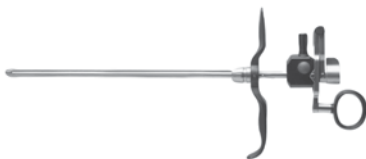
**Two-way tap** with Luer lock connector ..... **883.12**



HF connecting cable see page 51.

**Shark** Resectoscope, monopolar  
for telescope 4 mm, 0°  
with continuous-irrigation double-sheath system



Color code	Distal tip	Sheaths, inner sheath with distal ceramic insulation		Obturator	Viewing obturator	Dilation obturator	Electrodes
<b>Sheaths</b>							
		Outer sheath	Inner sheath				
<b>22 / 24 Fr.</b> green		<b>8675424</b>	<b>8675322</b>	<b>8673022</b>	<b>8673122</b>	-	See page 44-45.
<b>24 / 26 Fr.</b> yellow		<b>8675426</b>	<b>8675324</b>	<b>8673024</b>	<b>8673124</b>	<b>8673224</b>	

Working elements	Handle type	Cutting action	Type
	open	passive	<b>8681224</b>

Ø	Viewing direction	Type	PANOVIEW telescope
4 mm	0°	<b>8650.414</b>	 

Accessories:

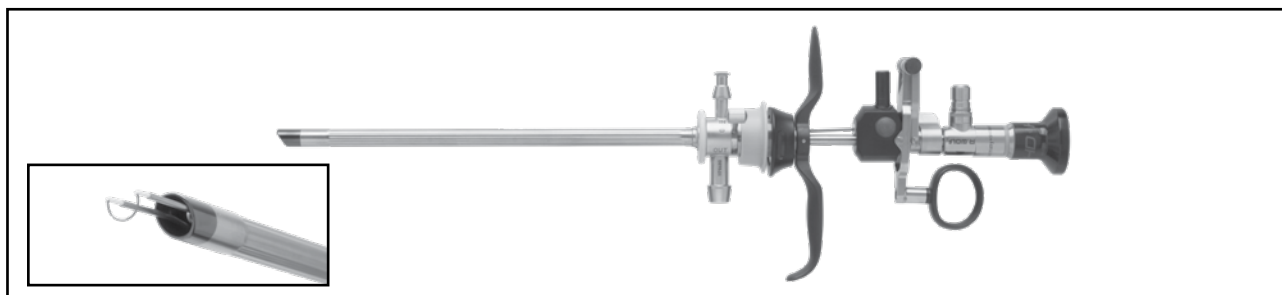
**Fiber light cable set**, Ø 2.5 mm, 3.0 m long ..... **806625301**

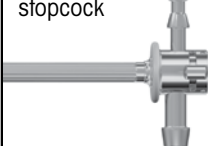







Consisting of:


Fiber light cable (80662530), adapter projector side (8095.07) and adapter endoscope side (809509)



HF connecting cable see page 51.

**Shark** Resectoscope, monopolar  
for telescope 4 mm, 0°  
with intermittent irrigation with central tap



Color code	Distal tip	Sheaths, inner sheath with distal ceramic insulation		Obturator	Viewing obturator	Dilation obturator	Electrodes
<b>Sheaths</b>		Sheath with central stopcock 	Connecting part 				
<b>24 Fr. yellow</b>		<b>8676424</b>	<b>8676342</b>	<b>8673024</b>	<b>8673124</b>	<b>8673224</b>	See page 44-45.
<b>26 Fr. black</b>		<b>8676426</b>	<b>8676343</b>	<b>8673026</b>	<b>8673126</b>	<b>8673226</b>	

Working elements	Handle type	Cutting action	Type
	open	passive	<b>8681224</b>

Ø	Viewing direction	Type	PANOVIEW telescope
4 mm	0°	<b>8650.414</b>	 

Accessories:

**Fiber light cable set**, Ø 2.5 mm, 3.0 m long ..... **806625301**



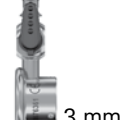






Consisting of:

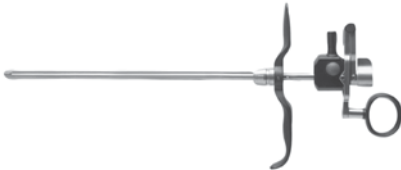
Fiber light cable (80662530), adapter projector side (8095.07) and adapter endoscope side (809509)



HF connecting cable see page 51.

**Shark** Resectoscope, monopolar  
for telescope 4 mm, 0° with intermittent  
irrigation and rotating irrigation adapter



Color code	Distal tip	Sheaths, inner sheath with distal ceramic insulation			Obturator	Viewing obturator	Dilation obturator	Electrodes
<b>Sheaths</b>		Resectoscope sheath 	Rotatable irrigation adapter  4 mm Luer connector  3 mm Luer stopcock					
<b>24 Fr. yellow</b>		<b>8676324</b>	<b>8676354</b>	<b>8676361</b>	<b>8673024</b>	<b>8673124</b>	<b>8673224</b>	See page 44-45.
<b>26 Fr. black</b>		<b>8676326</b>	<b>8676354</b>	<b>8676361</b>	<b>8673026</b>	<b>8673126</b>	<b>8673226</b>	

Working elements	Handle type	Cutting action	Type
	open	passive	<b>8681224</b>

Ø	Viewing direction	Type	PANOVIEW telescope
4 mm	0°	<b>8650.414</b>	 

Accessories:









**Fiber light cable set**, Ø 2.5 mm, 3.0 m long ..... **806625301**

Consisting of:

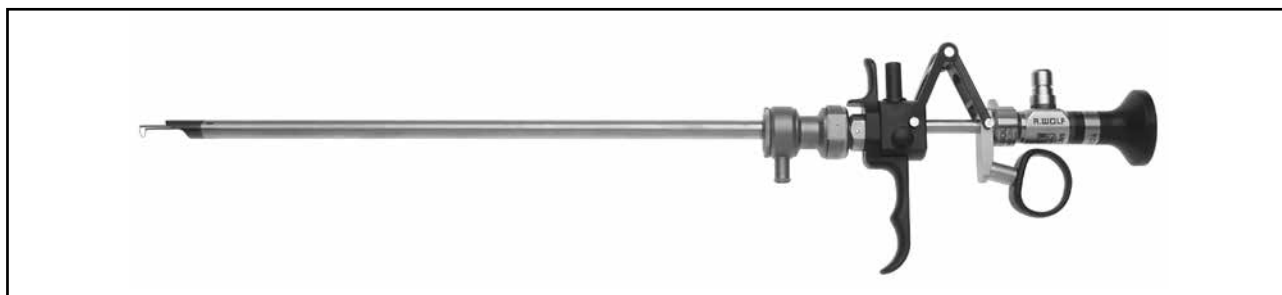
Fiber light cable (80662530), adapter projector side (8095.07) and adapter endoscope side (809509)





HF connecting cable see page 51.


## Obturators for resectoscopes



For resectoscope 	Fr.	Sheath			Obturators			
		continuous irrigation  oblique 	with rotatable irrigation adapter  oblique 	with central stopcock  oblique 	Obturator  	Viewing obturator  	Dilation obturator  	Obturator Timberlake  
Double sheath system	22/24	<b>8675424 and 8675322</b>	-	-	<b>8673022</b>	<b>8673122</b>	-	<b>8654.66</b>
Sheaths for intermittent irrigation	24	-	<b>8676324 and 8676354 8676361</b>	<b>8676424 8676342</b>	<b>8673024</b>	<b>8673124</b>	<b>8673224</b>	<b>8654.67</b>
Double sheath system	24/26	<b>8675426 and 8675324</b>	-	-	<b>8673024</b>	<b>8673124</b>	<b>8673224</b>	<b>8654.67</b>
Sheaths for intermittent irrigation	26	-	<b>8676326 and 8676354 8676361</b>	<b>8676426 8676343</b>	<b>8673026</b>	<b>8673126</b>	<b>8673226</b>	<b>8654.68</b>

**Shark** Resectoscope, monopolar  
for telescope 4 mm, 25°, long sheath  
with intermittent irrigation



Fr., Color code	Distal tip	Sheath with distal ceramic insulation, swivelling irrigation ring	Obturator	Cutting electrode
<b>Sheath</b>				
<b>24 Fr.</b>		<b>8668.024</b>	<b>8668.12</b>	<b>8439.03</b>

	Handle type	Cutting action	Type
 Spring-assisted cutting action	closed	passive	<b>8668.225</b>

Ø	Viewing direction	Type	PANOVIEW telescope
4 mm	25°	<b>8668.433</b>	 

RESECTOSCOPES

Accessories:

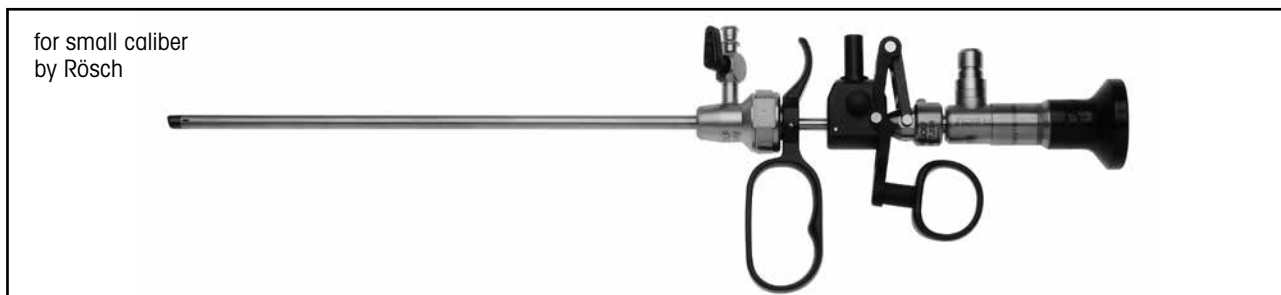
**Fiber light cable set**, Ø 2.5 mm, 3.0 m long ..... **806625301**



Consisting of:



Fiber light cable (80662530), adapter projector side (8095.07) and adapter endoscope side (809509)

HF connecting cable see page 51.

# U-Care resectoscope



Resectoscope Sheath Set					
consisting of: resectoscope sheath, obturator and Luer connector (886.00)					
	Fr.	Color code	Sheath single	Obturator single	Working element "E-line", passive cutting
<b>86770151</b>	14.5	white	<b>86770155</b>	<b>86770157</b>	<b>8677.224</b>

Ø	Viewing direction	WL	Type	PANOVIEW telescope, distortion-free
2.7 mm	0°	274 mm	<b>8672430</b>	 

Accessories:

**Fiber light cable set**, Ø 2.5 mm, 3.0 m long ..... **806625301**

Consisting of:






Fiber light cable (80662530), adapter projector side (8095.07) and adapter endoscope side (809509)

RESECTOSCOPES

HF connecting cable see page 51.

## Accessory instruments

### U-Care resectoscope

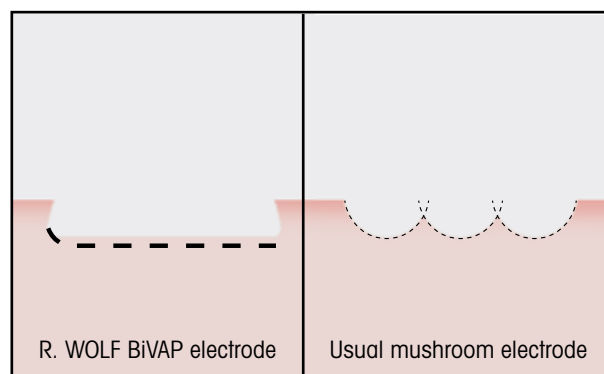
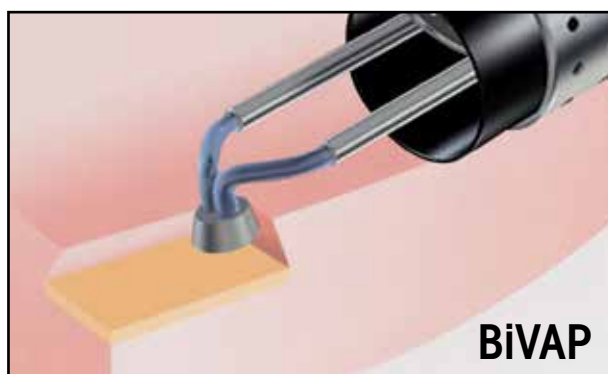
Stricture scalpels	Blade	Type
	Lanzet blade, cutting edge on both sides	<b>8677981</b>
	Half-moon shaped	<b>8677931</b>
Electrodes		Type
	Coagulating electrode	<b>8416011</b>
	Cutting electrode	<b>8416031</b>
	Hook electrode	<b>8416091</b>

RESECTOSCOPES

## Electrodes

**Richard Wolf electrodes specially adapted to the anatomy and to specialized therapeutic methods for many applications.**

The quality and effectiveness of various types and shapes of electrodes have been effective in a variety of interventions. Only the combination of original Richard Wolf "**electrodes and instruments**" ensure optimum results and safety for both patient and user.



"BiVAP" – Bipolar Vaporization Electrode

A special shape of electrode head was developed for bipolar vaporization technology. The specific geometry of the electrode surface means that the high-energy plasma can be used in a concentrated form for fast, effective tissue vaporization with minimal loss of blood. Moreover, the "stepped" gradation at the contact area of the electrode enables the energy density to be kept as low as possible and this avoids thermal damage to tissue. No bridges are left behind during vaporization with the BiVAP electrode as a result of its planar bearing surface. A completely flat compartment is created.







**Standard 0.3 - 0.4 loop electrodes** and electrodes with a wire calibre of 0.8 mm for bloodless cutting and obtaining specimens for histology.



## Bipolar electrodes

for single use, sterile\*, 12°/30°

for continuous-irrigation sheath	Loop	Stem	for sheath sizes in Fr.			
			<b>Ds</b> 22/24	<b>iS</b> 24	<b>Ds</b> 24/26	<b>iS</b> 26
<b>Cutting electrode</b> (pack = 3 pcs.) 	Loop 0.3 mm	Branches	blue	blue	blue	blue
			<b>8622.1333</b>	<b>4622.1313</b>	<b>4622.1313</b>	<b>4622.1313</b>
		Stem	blue	blue	blue	blue
	Loop 0.25 mm	Branches	blue	blue	blue	blue
			<b>4622.2533</b>	<b>4622.2513</b>	<b>4622.2513</b>	<b>4624.2513</b>
		Stem	blue	blue	blue	blue
<b>Cutting electrode, oval</b> (pack = 3 pcs.) 	Loop 0.3 mm	Branches	-	blue	blue	blue
			-	<b>4622.1323</b>	<b>4622.1323</b>	<b>4622.1323</b>
		Stem	-	blue	blue	blue
<b>Coagulating electrode</b> (pack = 3 pcs.) 	Cylinder 1.2 mm	Branches	blue	blue	blue	blue
			<b>4623.0243</b>	<b>4623.0223</b>	<b>4623.0223</b>	<b>4623.0223</b>
		Stem	blue	blue	blue	blue
<b>BiVAP electrode</b> (pack = 3 pcs.) 	Donut	Branches	blue	blue	blue	blue
			<b>46300223</b>	<b>46300243</b>	<b>46300243</b>	<b>46300243</b>
		Stem	blue	blue	blue	blue





**Ds** = Continuous irrigation

**iS** = intermittent irrigation

\* single sterile packed



## Bipolar electrodes for single use, sterile\*, 0°

for continuous-irrigation sheath	Loop	Stem	for sheath sizes in Fr.			
			<b>Ds</b> 22/24	<b>iS</b> 24	<b>Ds</b> 24/26	<b>iS</b> 26
<b>Cutting electrode</b> (pack = 3 pcs.) 	Loop 0.3 mm	Branches	-	blue	blue	blue
			-	<b>4609.0313</b>	<b>4609.0313</b>	<b>4611.0313</b>
		Stem	-	blue	blue	blue
	Loop 0.25 mm	Branches	-	blue	blue	-
			-	<b>4609.2513</b>	<b>4609.2513</b>	-
		Stem	-	blue	blue	-
<b>Cutting electrode, oval</b> (pack = 3 pcs.) 	Loop 0.3 mm	Branches	-	blue	blue	blue
			-	<b>4609.0323</b>	<b>4609.0323</b>	<b>4609.0323</b>
		Stem	-	blue	blue	blue
<b>Coagulating electrode</b> (pack = 3 pcs.) 	Cylinder 1.2 mm	Branches	-	blue	blue	blue
			-	<b>4610.0223</b>	<b>4610.0223</b>	<b>4610.0223</b>
		Stem	-	blue	blue	blue
<b>BiVAP electrode</b> (pack = 3 pcs.) 	Donut	Branches	-	blue	blue	blue
			-	<b>46310243</b>	<b>46310243</b>	<b>46310243</b>
		Stem	-	blue	blue	blue

**Ds** = Continuous irrigation








**iS** = intermittent irrigation

\* single sterile packed



## Monopolar electrodes

for single use, sterile\*, 12°/30°

for continuous-irrigation sheath	Loop	Stem	for sheath sizes in Fr.			
			<b>DS</b> 22/24	<b>iS</b> 24	<b>DS</b> 24/26	<b>iS</b> 26
<b>Cutting electrode</b> (pack = 10 pcs.) 	Loop 0.35 mm	Branches	green	yellow	yellow	black
			<b>46782235</b>	<b>46782435</b>	<b>46782435</b>	<b>46782635</b>
		Stem	transparent	transparent	transparent	transparent
	Loop 0.25 mm	Branches	green	yellow	yellow	-
			<b>46782225</b>	<b>46782425</b>	<b>46782425</b>	-
		Stem	transparent	transparent	transparent	-
<b>Cutting electrode</b> (pack = 5 pcs.) 	Loop 0.8 mm	Branches	-	yellow	yellow	-
			-	<b>46782480</b>	<b>46782480</b>	-
		Stem	-	transparent	transparent	-
<b>Coagulating electrode</b> (pack = 5 pcs.) 	Roller	Branches	green	green	green	-
			<b>46782201</b>	<b>46782201</b>	<b>46782201</b>	-
		Stem	transparent	transparent	transparent	-
<b>Coagulating electrode</b> (pack = 5 pcs.) 	Sphere	Branches	green	green	green	-
			<b>46782202</b>	<b>46782202</b>	<b>46782202</b>	-
		Stem	transparent	transparent	transparent	-
<b>Coagulating electrode</b> (pack = 5 pcs.) 	Button	Branches	green	green	green	black
			<b>46782203</b>	<b>46782203</b>	<b>46782203</b>	<b>46782603</b>
		Stem	transparent	transparent	transparent	transparent
<b>Knife electrode</b> (pack = 5 pcs.) 	Knife	Branches	green	green	green	black
			<b>46782204</b>	<b>46782204</b>	<b>46782204</b>	<b>46782604</b>
		Stem	transparent	transparent	transparent	transparent
<b>Hook electrode</b> (pack = 5 pcs.) 	Hook	Branches	green	green	green	black
			<b>46782205</b>	<b>46782205</b>	<b>46782205</b>	<b>46782605</b>
		Stem	transparent	transparent	transparent	transparent

**DS** = Continuous irrigation




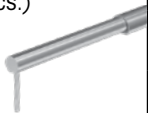
**iS** = intermittent irrigation

\* single sterile packed



## Monopolar electrodes

for single use, sterile\*, 0°

for continuous-irrigation sheath	Loop	Stem	for sheath sizes in Fr.			
			<b>Ds</b> 22/24	<b>iS</b> 24	<b>Ds</b> 24/26	<b>iS</b> 26
<b>Cutting electrode</b> (pack = 5 pcs.) 	Loop 0.35 mm	Branches		yellow	yellow	black
				<b>46792435</b>	<b>46792435</b>	<b>46792635</b>
<b>Coagulating electrode</b> (pack = 5 pcs.) 	Roller	Branches		green	green	-
				<b>46792201</b>	<b>46792201</b>	
<b>Knife electrode</b> (pack = 5 pcs.) 	Knife	Branches		transparent	transparent	
				<b>46792204</b>	<b>46792204</b>	
<b>Hook electrode</b> (pack = 5 pcs.) 	Hook	Branches		transparent	transparent	
				<b>46792205</b>	<b>46792205</b>	
		Stem		transparent	transparent	

**Ds** = Continuous irrigation



**iS** = intermittent irrigation

\* single sterile packed

*E-line*

**Monopolar electrodes**

for resectoscopes, 4 mm telescope, 25°, long sheath

for sheath	Loop	Stem	Fr.	
<b>Cutting electrode</b> 	0.3 mm	Branches		green
				<b>8439.03</b>
		Stem		red
<b>Coagulating electrode</b> 	-	Branches		blue
				<b>8440.02</b>
		Stem		red

RESECTOSCOPES




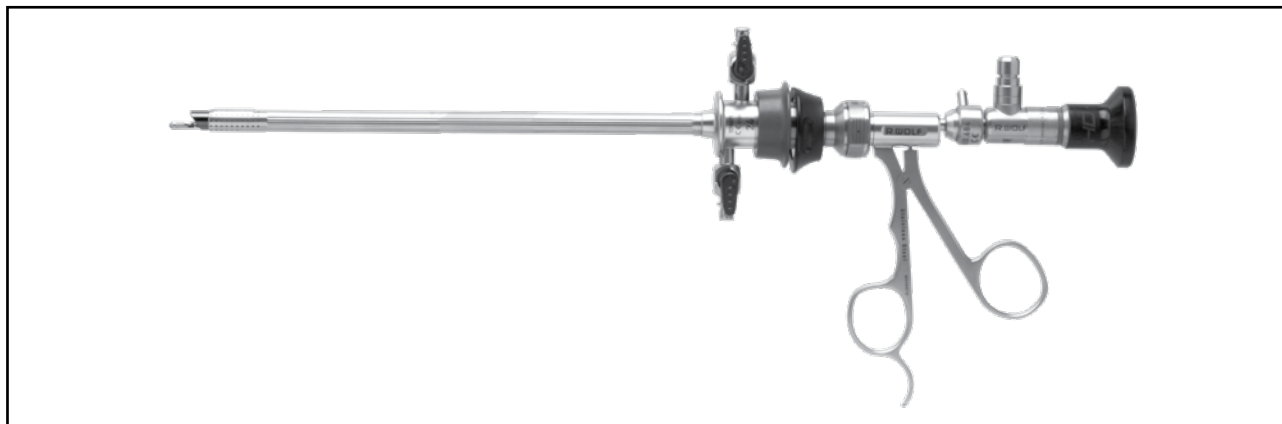
**Protective sterilization sleeve** ..... **8428.901**

for a maximum of 5 resection or vaporization electrodes








or urethrotome knives, outer Ø 20 mm, length 328 mm

## Additional instrument combinations


with resectoscope sheaths 

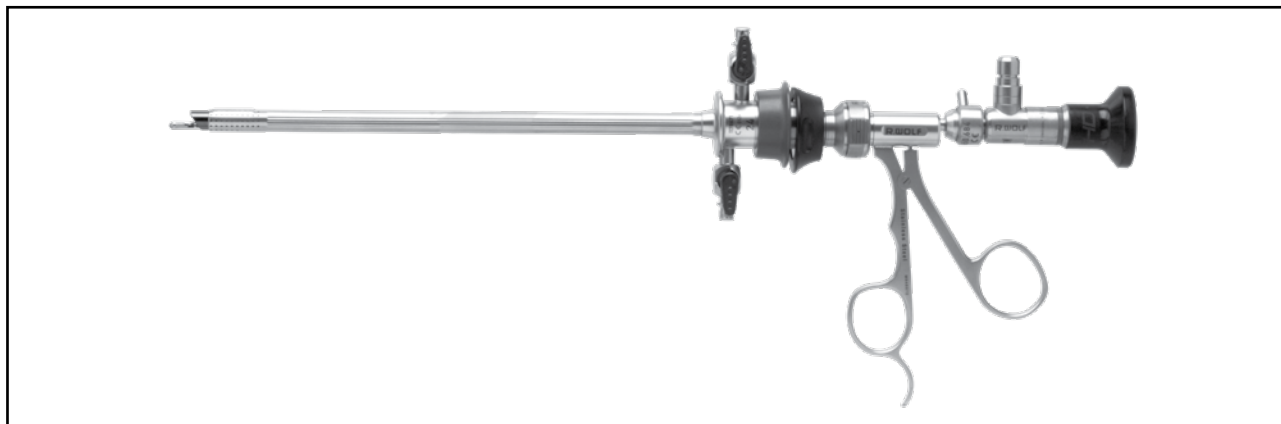









RESECTOSCOPES

for sheaths			Instruments as for cysto-urethrosopes 8650 for use in resectoscope sheaths		with telescope
Intermittent irrigation Fr.	Continuous irrigation Fr.	via 	Version 	Types 	
24 - 26	26	only for diagnosis	<b>Adapter with 1 instrument port</b> 	<b>8652.264</b>	0°, 12°, 30°, 70°
-	26	<b>Spacer</b> 8652.704	<b>Foreign body forceps</b> 	<b>8650.264</b>	0°, 12°, 30°
-	26	<b>Spacer</b> 8652.704	<b>Biopsy forceps, with spoon-shaped jaws, retrograde</b> 	<b>8650.774</b>	0°, 12° (30°)
-	26	<b>Spacer</b> 8652.704	<b>Biopsy forceps, "Marburg"</b> 	<b>8650.614</b>	0°, 12°


## Additional instrument combinations


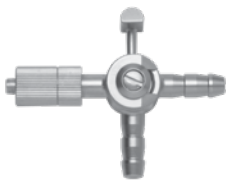



with resectoscope sheaths 



for sheaths			Instruments as for cysto-urethrosopes 8650 for use in resectoscope sheaths		with telescope
Intermittent irrigation Fr.	Continuous irrigation Fr.	via 	Version	Types	
24 - 26	26	<b>Spacer</b> 8652.704	<b>Scissors</b> 	<b>8650.644</b>	0°, 12°
-	26	<b>Spacer</b> 8652.704	<b>Coagulating biopsy forceps</b> by Taube 	<b>8650.624</b>	0°, 12°
-	26	<b>without spacer</b>	<b>Insert with Albarran deflector,</b> with one or two instrument ports 	<b>8650.204</b> or <b>8650.214</b>	(0°, 12°) 30°, 70°
-	26	<b>Spacer</b> 8652.704	<b>Biopsy forceps</b> , spoon-shaped, both jaws opening 	<b>8650.604</b>	0°, 12° (30°)
-	26	<b>Spacer</b> 8652.704	<b>Grasping forceps</b> , both jaws opening 	<b>8650.684</b>	0°, 12°


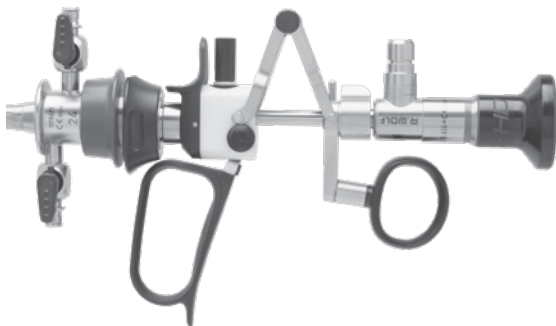

RESECTOSCOPES

Taps, tube connector  
for resectoscope sheaths   
with 4 mm telescope

		for sheaths			
			with swivelling and replaceable irrigation ring	with fixed Luer cock	with central two-way stopcock
		Ø	Capacity 4 mm	Capacity 3 mm	
<b>Two-way stopcock</b> 		3 mm		<b>883.00</b>	
		4 mm	<b>883.01</b>		
<b>Stopcock with Luer lock connector</b> 		3 mm		<b>884.00</b>	
		4 mm	<b>884.01</b>		
<b>Two-way stopcock with Luer lock connector, irrigation inlet from left</b> 		4 mm	<b>883.12</b>		
<b>Tube connector</b> 			<b>889.01</b>	<b>889.01</b>	<b>889.01</b>









RESECTOSCOPES

## HF connecting cables for resection in saline

Connector for instrument	Connector for unit	Length	Types
 	 <p>ERBE</p>	<p>3 M</p>	<p><b>8108.232</b></p>









RESECTOSCOPES

## HF monopolar connecting cables

Connector for instrument	Connector for unit	Length	Types
<b>Richard Wolf resectoscopes</b> 	 Bovie / Valleylab / Erbe (Int.) / BOWA Int.)	3 M	<b>815.033</b>
		5 M	<b>815.053</b>
<b>Richard Wolf instruments</b> 	 ERBE (ACC / ICC) / BOWA (EU)	3 m	<b>8106.032</b>
		5 m	<b>8106.052</b>
	 ERBE (T series)	3 m	<b>8106.132</b>
		5 m	<b>8106.152</b>
	 Martin (m-Version) / Berchtold / Aesculap	3 m	<b>8106.031</b>
		5 m	<b>8106.051</b>
	 Bovie / Valleylab / Erbe (Int.) / BOWA Int.)	3 m	<b>8106.033</b>
		5 m	<b>8106.053</b>
 BOWA (Int. / EU) Eschmann and other devices with 4 mm connectors	3 m	<b>8106.034</b>	
	5 m	<b>8106.054</b>	

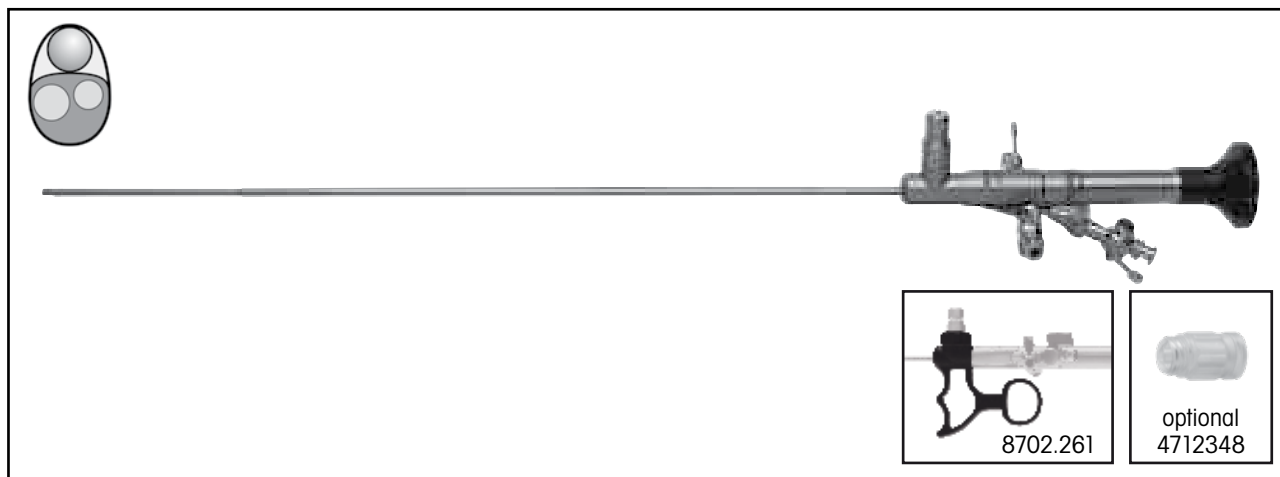
RESECTOSCOPES

## HF bipolar connecting cables

Connector for instrument	Connector for unit	Length	Types	
 <p><b>Richard Wolf bipolar forceps</b></p>	 ERBE (ACC / ICC) / BOWA (EU)	3 m	<b>8108.032</b>	
		5 m	<b>8108.052</b>	
	 WOLF / Martin (m-Version) / Berchtold / Aesculap	3 m	<b>8108.031</b>	
		5 m	<b>8108.051</b>	
	 EMC Dolley	3 m	<b>8108035</b>	
		5 m	<b>8108055</b>	
	 <p><b>Bipolar tweezers</b></p>	 ERBE (ACC / ICC) / BOWA (EU)	3 m	<b>8108.132</b>
			5 m	<b>8108.152</b>
 WOLF / Martin (m-Version) / Berchtold / Aesculap		3 m	<b>8108.131</b>	
		5 m	<b>8108.151</b>	
 EMC Dolley		3 m	<b>8108135</b>	
		5 m	<b>8108155</b>	

RESECTOSCOPES

## 4.5 / 6 Fr. Needle Semi-rigid Uretero-Renoscope Straight eyepiece



- ❑ Extremely thin, 4.5 / 6 Fr.
- ❑ Large oval irrigation and probe channel 2.5 x 3 Fr.
- ❑ Excellent view through miniature fiber optic ureteroscope
- ❑ Progressive dilation - even in the narrowest passages
- ❑ Stone therapy with laser or electrohydraulic lithotripsy

Instrumentation	Description	Angle of view	WL	Insert capacity (Fr.)
<b>8701517</b>	Straight eyepiece	5°	330 mm	3
<b>8701518</b>	Straight eyepiece	5°	430 mm	3

URETERORENOSCOPE

Accessories:

**Handle** ..... **8702.261**

For inserting accessory instruments of 1 – 6 Fr.:

**Universal sealing valve**, sterile (pack = 5 pcs.) ..... **4712348**

**Fiber light cable set**, Ø 2.5 mm, 3.0 m long ..... **806625301**

consisting of:

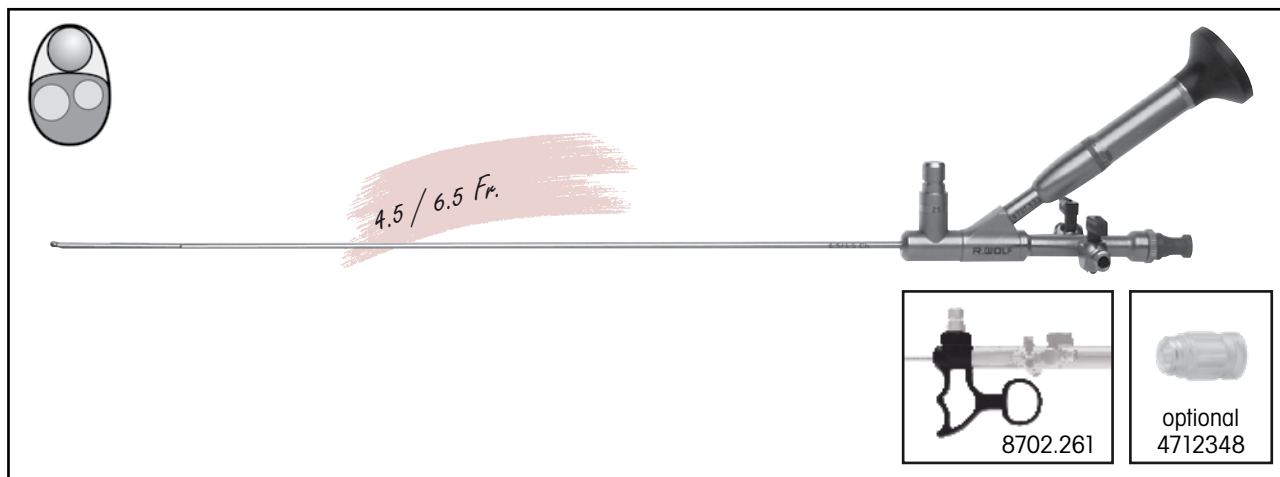
Fiber light cable (80662530), adapter projector side (8095.07) and adapter endoscope side (809509)

Accessory instruments see page 64.

## Needle

### Fiber ureterorenoscope by Bichler

with oblique eyepiece



- ❑ Stone therapy with laser fiber Ø 272 µm
- ❑ Particularly suitable for primary URS without prior placement of a double J catheter
- ❑ Excellent view thanks to the latest image guide technology and optimum irrigation flow

Fiber ureterorenoscope with oval irrigation and instrument channel, including automatic valve for inserting instrument	Working length	Total length	Telescope	Fr.	Irrigation and instrument channel Fr.	for accessory instruments Fr.	Type
Fiber ureterorenoscope by Bichler	430 mm	570 mm	5°	4.5 / 6.5	3.15 x 3.15	1 x 3	<b>8701.534</b>

Accessories:

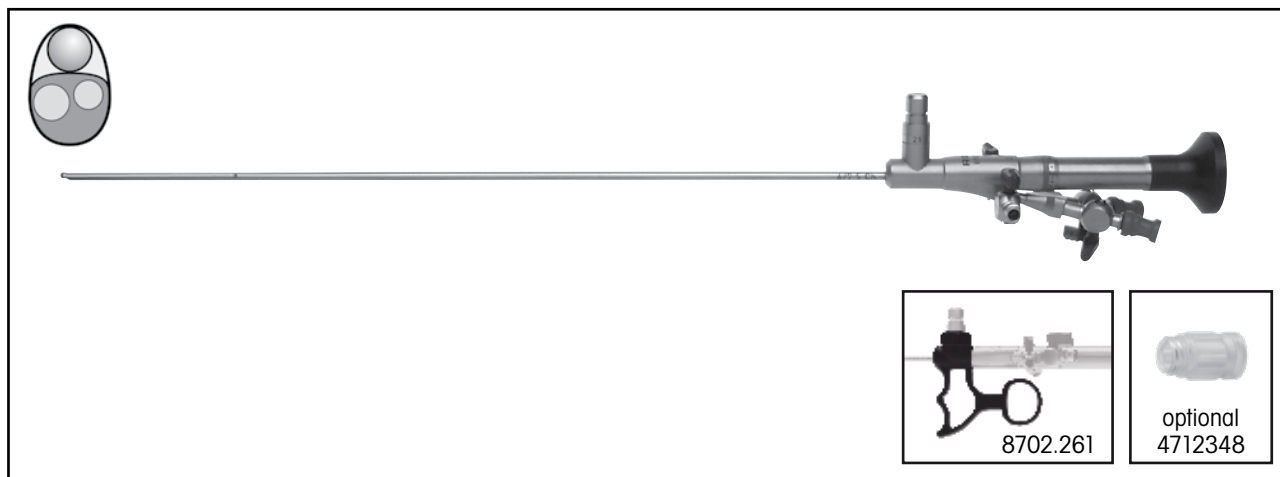
<b>Foreign body forceps</b> , flexible, 3 Fr., with alligator jaws, WL 530 mm .....	<b>828.605</b>
<b>Biopsy forceps</b> , flexible, 3 Fr., WL 530 mm .....	<b>829.603</b>
<b>Handle</b> .....	<b>8702.261</b>
For inserting accessory instruments of 1 – 6 Fr.:	
<b>Universal sealing valve</b> , sterile (pack = 5 pcs.) .....	<b>4712348</b>
<b>Membrane retainer</b> , standard .....	<b>15256.393</b>
<b>Membrane retainer</b> with Luer .....	<b>15256.456</b>
<b>Membrane seal</b> (pack of 10) .....	<b>89.101</b>
<b>Fiber light cable set</b> , Ø 2.5 mm, 3.0 m long .....	<b>806625301</b>

consisting of:

Fiber light cable (80662530), adapter projector side (8095.07) and adapter endoscope side (809509)

Accessory instruments see page 64.

## Ultrathin Fiber ureterorenoscope with direct view eyepiece



- ❑ Stone therapy with laser or electrohydraulic lithotripsy
- ❑ Use of flexible accessory instruments or two different instruments such as laser fiber or electrohydraulic probe and stone baskets to stabilize and retrieve the concrement

Fiber ureterorenoscope with oval irrigation and instrument channel	Working length	Total length	Telescope	Fr.	Irrigation and instrument channel Fr.	for accessory instruments Fr.	Type
Fiber Ureterorenoscope	430 mm	560 mm	5°	6 / 7.5	4.2 x 4.6	1 x 4	<b>8702.518</b>
Fiber Ureterorenoscope	330 mm	460 mm	5°	6 / 7.5	4.2 x 4.6	1 x 4	<b>8702.517</b>

Accessories:

**Handle** ..... **8702.261**

For inserting accessory instruments of 1 – 6 Fr.:

**Universal sealing valve**, sterile (pack = 5 pcs.) ..... **4712348**

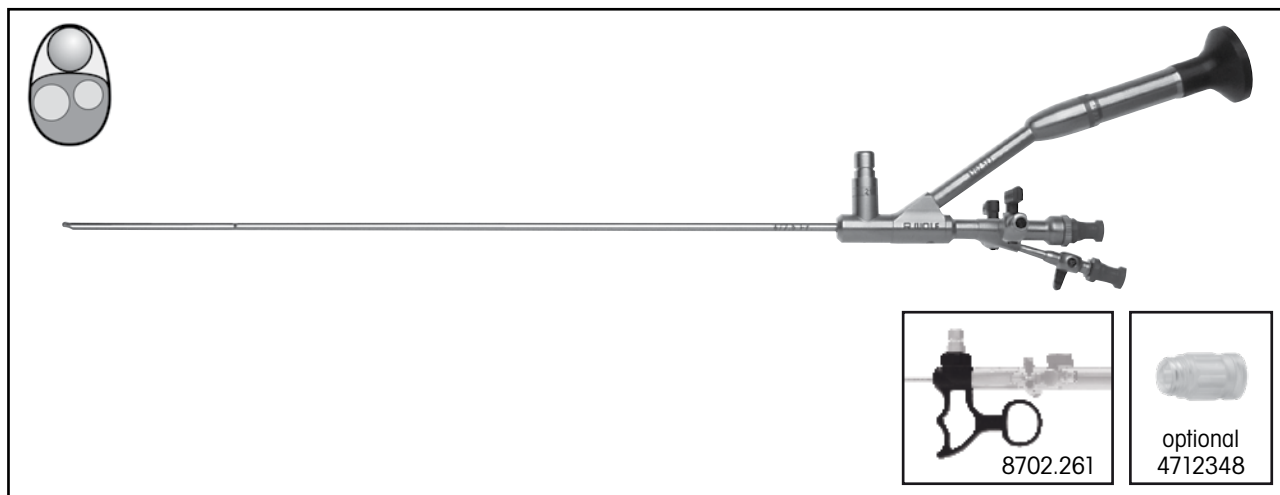
**Fiber light cable set**, Ø 2.5 mm, 3.0 m long ..... **806625301**

consisting of:

Fiber light cable (80662530), adapter projector side (8095.07) and adapter endoscope side (809509)

Accessory instruments see page 64.

# Fiber ureterorenoscope by Marberger with offset eyepiece



- ❑ Stone therapy with laser, ultrasound, electrohydraulic or ballistic lithotripsy
- ❑ Rigid accessory instruments can be used through the straight instrument channel
- ❑ Use of flexible accessory instruments or two different instruments such as laser fiber or electrohydraulic probe and stone baskets to stabilize and retrieve the concrement

URETERORENOSCOPE

Fiber ureterorenoscope with oval irrigation and instrument channel, including automatic valve for inserting instrument	Working length	Total length	Telescope	Fr.	Irrigation and instrument channel Fr.	for accessory instruments Fr.	Type
Fiber ureterorenoscope by Marberger	430 mm	600 mm	5°	6 / 7.5	4.2 x 4.6	1 x 4 or 2 x 2.4	<b>8702.524</b>

Accessories:

**Handle** ..... **8702.261**

For inserting accessory instruments of 1 – 6 Fr.:

**Universal sealing valve**, sterile (pack = 5 pcs.) ..... **4712348**

**Membrane retainer**, standard ..... **15256.393**

**Membrane retainer** with Luer ..... **15256.456**

**Membrane seal** (pack of 10) ..... **89.101**

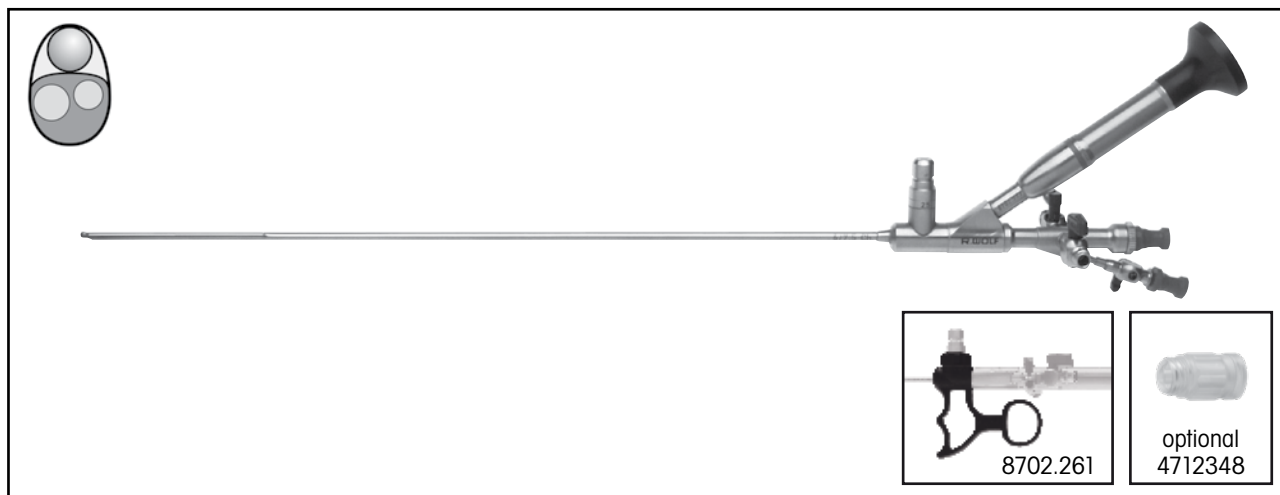
**Fiber light cable set**, Ø 2.5 mm, 3.0 m long ..... **806625301**

consisting of:

Fiber light cable (80662530), adapter projector side (8095.07) and adapter endoscope side (809509)

Accessory instruments see page 64.

# Fiber ureterorenoscope by Bichler with oblique eyepiece



- ❑ Stone therapy with laser, ultrasound, electrohydraulic or ballistic lithotripsy
- ❑ Rigid accessory instruments can be used through the straight instrument channel
- ❑ Use of flexible accessory instruments or two different instruments such as laser fiber or electrohydraulic probe and stone baskets to stabilize and retrieve the concrement

URETERORENOSCOPE

<b>Fiber ureterorenoscope</b> with oval irrigation and instrument channel, including automatic valve for inserting instrument	Working length	Total length	Telescope	Fr.	Irrigation and instrument channel Fr.	for accessory instruments Fr.	Type
<b>Fiber ureterorenoscope</b> by Bichler	430 mm	570 mm	5°	6 / 7.5	4.2 x 4.6	1 x 4 or 2 x 2.4	<b>8702.534</b>

Accessories:

**Handle** ..... **8702.261**

For inserting accessory instruments of 1 – 6 Fr.:

**Universal sealing valve**, sterile (pack = 5 pcs.) ..... **4712348**

**Membrane retainer**, standard ..... **15256.393**

**Membrane retainer** with Luer ..... **15256.456**

**Membrane seal** (pack of 10) ..... **89.101**

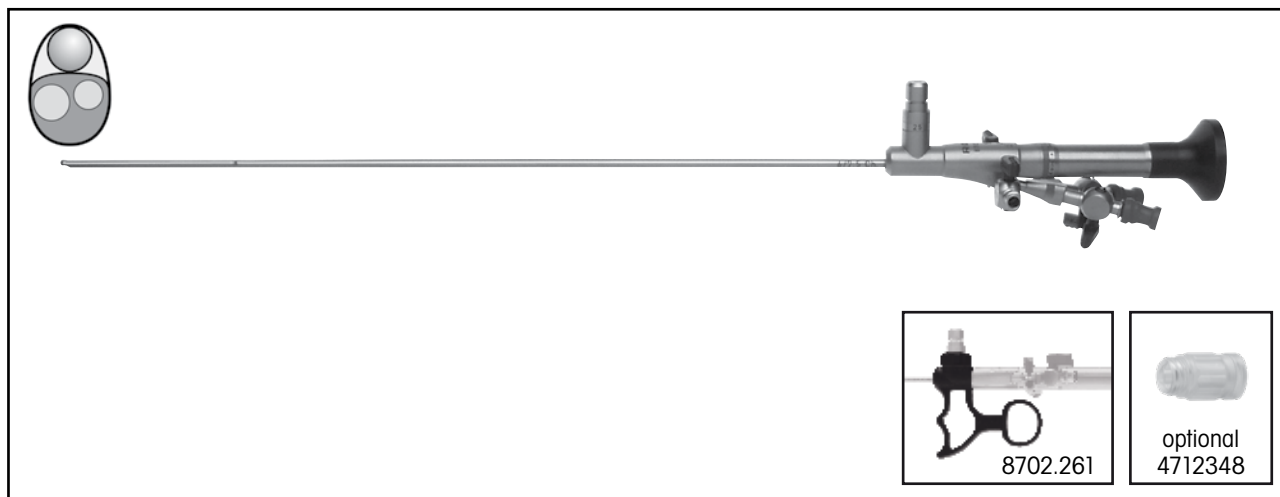
**Fiber light cable set**, Ø 2.5 mm, 3.0 m long ..... **806625301**

consisting of:

Fiber light cable (80662530), adapter projector side (8095.07) and adapter endoscope side (809509)

Accessory instruments see page 64.

## Fiber ureterorenoscope with direct view eyepiece



- ❑ Stone therapy with laser or electrohydraulic lithotripsy
- ❑ Use of flexible accessory instruments or two different instruments such as laser fiber or electrohydraulic probe and stone baskets to stabilize and retrieve the concrement

Fiber ureterorenoscope with oval irrigation and instrument channel	Working length	Total length	Telescope	Fr.	Irrigation and instrument channel Fr.	for accessory instruments Fr.	Type
Fiber ureterorenoscope	430 mm	560 mm	12°	8 / 9.8	5.2 x 6.2	1 x 5	<b>8703.518</b>
Fiber ureterorenoscope	330 mm	460 mm	12°	8 / 9.8	5.2 x 6.2	1 x 5	<b>8703.517</b>

Accessories:

**Handle** ..... **8702.261**

For inserting accessory instruments of 1 – 6 Fr.:

**Universal sealing valve**, sterile (pack = 5 pcs.) ..... **4712348**

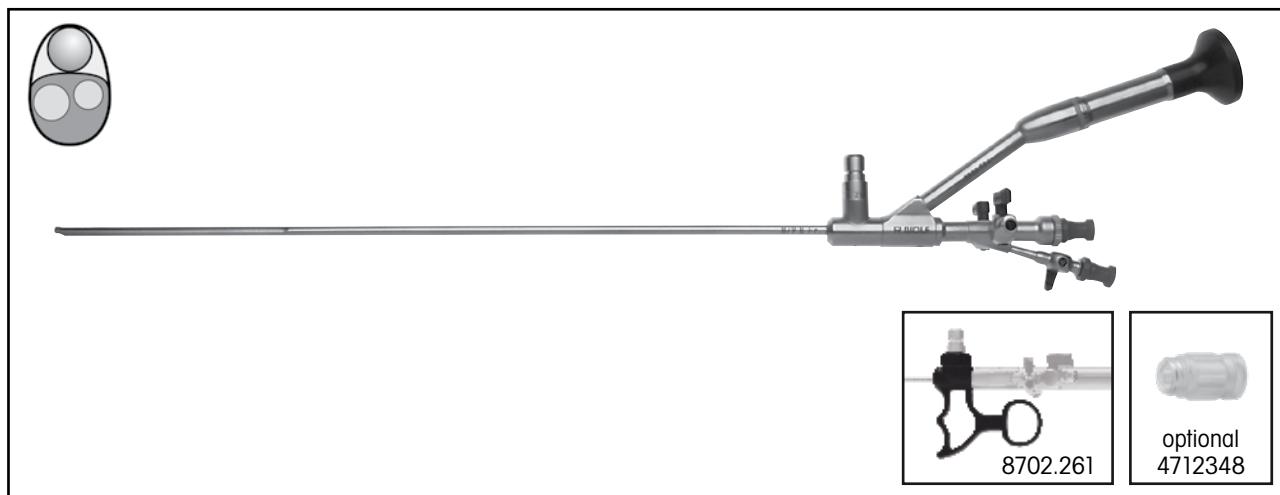
**Fiber light cable set**, Ø 2.5 mm, 3.0 m long ..... **806625301**

consisting of:

Fiber light cable (80662530), adapter projector side (8095.07) and adapter endoscope side (809509)

Accessory instruments see page 64.

## Fiber ureterorenoscope by Marberger with offset eyepiece



- ❑ Stone therapy with laser, ultrasound, electrohydraulic or ballistic lithotripsy
- ❑ Rigid accessory instruments can be used through the straight instrument channel
- ❑ Use of flexible accessory instruments or two different instruments such as laser fiber or electrohydraulic probe and stone baskets to stabilize and retrieve the concrement

Fiber ureterorenoscope with oval irrigation and instrument channel, including automatic valve for inserting instrument	Working length	Total length	Telescope	Fr.	Irrigation and instrument channel Fr.	for accessory instruments Fr.	Type
Fiber ureterorenoscope by Marberger	430 mm	600 mm	12°	8 / 9.8	5.2 x 6.2	1 x 5 or 2 x 3	<b>8703.524</b>

Accessories:

**Handle** ..... **8702.261**

For inserting accessory instruments of 1 – 6 Fr.:

**Universal sealing valve**, sterile (pack = 5 pcs.) ..... **4712348**

**Membrane retainer**, standard ..... **15256.393**

**Membrane retainer** with Luer ..... **15256.456**

**Membrane seal** (pack of 10) ..... **89.101**

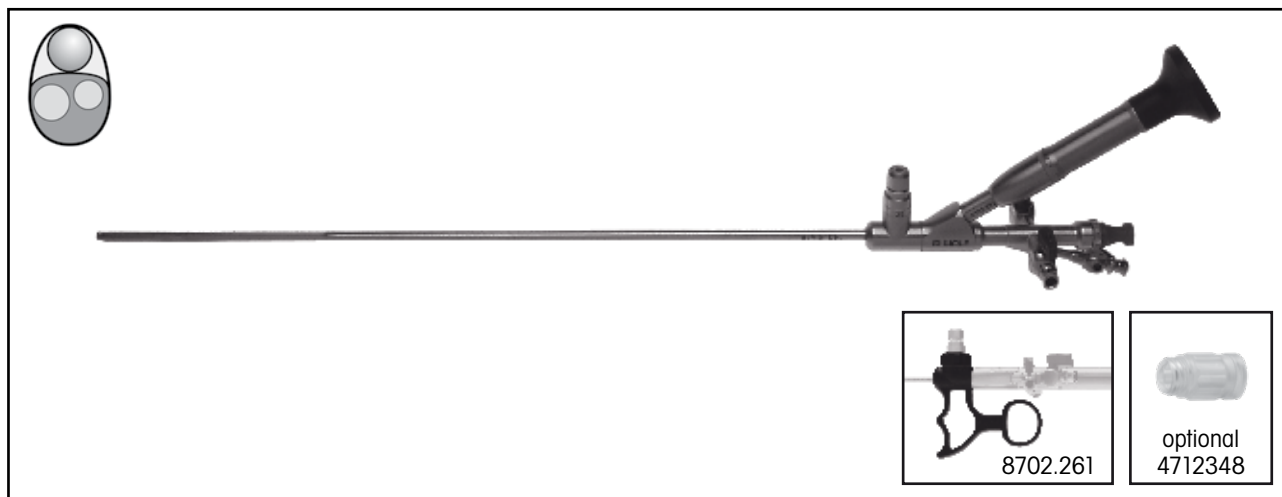
**Fiber light cable set**, Ø 2.5 mm, 3.0 m long ..... **806625301**

consisting of:

Fiber light cable (80662530), adapter projector side (8095.07) and adapter endoscope side (809509)

Accessory instruments see page 64.

# Fiber ureterorenoscope by Bichler with oblique eyepiece



- ❑ Stone therapy with laser, ultrasound, electrohydraulic or ballistic lithotripsy
- ❑ Rigid accessory instruments can be used through the straight instrument channel
- ❑ Use of flexible accessory instruments or two different instruments such as laser fiber or electrohydraulic probe and stone baskets to stabilize and retrieve the concrement

Fiber ureterorenoscope with oval irrigation and instrument channel, including automatic valve for inserting instrument	Working length	Total length	Telescope	Fr.	Irrigation and instrument channel Fr.	for accessory instruments Fr.	Type
<b>Fiber ureterorenoscope by Bichler</b>	430 mm	570 mm	12°	8 / 9.8	5.2 x 6.2	1 x 5 or 2 x 3	<b>8703.534</b>

Accessories:

<b>Handle</b> .....	<b>8702.261</b>
<b>Guide</b> for US transducer .....	<b>8702.271</b>
For inserting accessory instruments of 1 – 6 Fr.:	
<b>Universal sealing valve</b> , sterile (pack = 5 pcs.) .....	<b>4712348</b>
<b>Membrane retainer</b> , standard .....	<b>15256.393</b>
<b>Membrane retainer</b> with Luer .....	<b>15256.456</b>
<b>Membrane seal</b> (pack of 10) .....	<b>89.101</b>
<b>Fiber light cable set</b> , Ø 2.5 mm, 3.0 m long .....	<b>806625301</b>

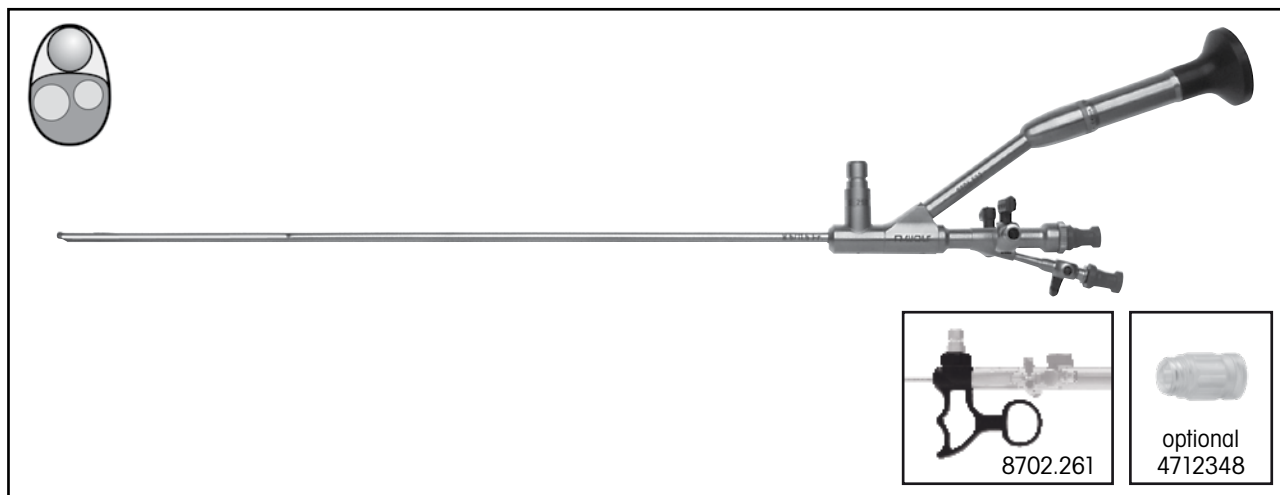
consisting of:

Fiber light cable (80662530), adapter projector side (8095.07) and adapter endoscope side (809509)

Accessory instruments see page 64.

URETERORENOSCOPE

# Fiber ureterorenoscope by Marberger with offset eyepiece



- ❑ Stone therapy with laser, ultrasound, electrohydraulic or ballistic lithotripsy
- ❑ Rigid accessory instruments can be used through the straight instrument channel
- ❑ Use of flexible accessory instruments or two different instruments such as laser fiber or electrohydraulic probe and stone baskets to stabilize and retrieve the concrement

URETERORENOSCOPE

<b>Fiber ureterorenoscope</b> with oval irrigation and instrument channel, including automatic valve for inserting instrument	Working length	Total length	Telescope	Fr.	Irrigation and instrument channel Fr.	for accessory instruments Fr.	Type
<b>Fiber ureterorenoscope</b> by Marberger	430 mm	600 mm	12°	8.5 / 11.5	6.2 x 8.2	1 x 6 or 2 x 4	<b>8704.524</b>

Accessories:

**Handle** ..... **8702.261**

For inserting accessory instruments of 1 – 6 Fr.:

**Universal sealing valve**, sterile (pack = 5 pcs.) ..... **4712348**

**Membrane retainer**, standard ..... **15256.393**

**Membrane retainer** with Luer ..... **15256.456**

**Membrane seal** (pack of 10) ..... **89.101**

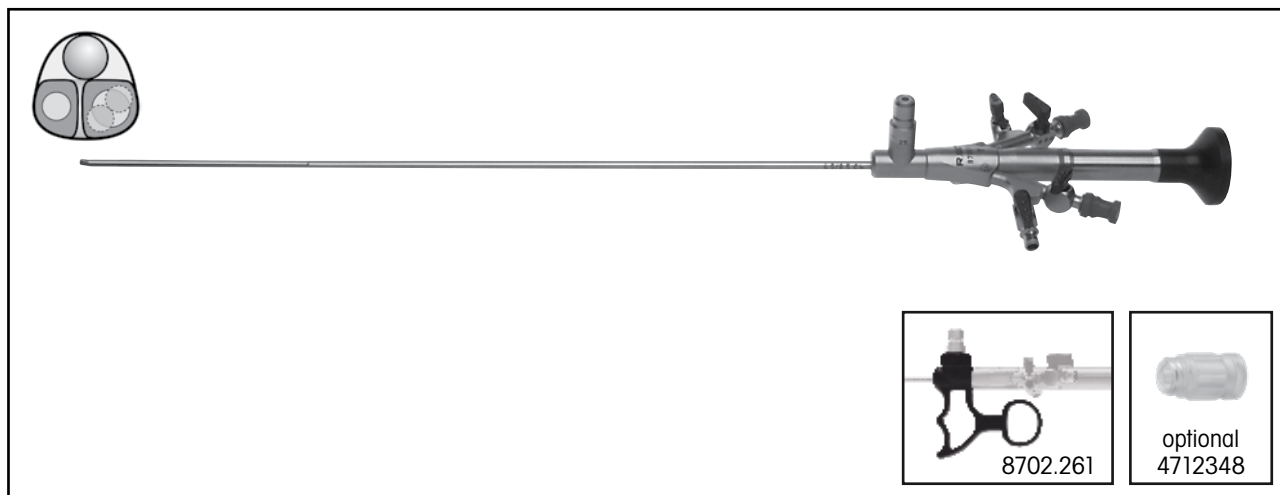
**Fiber light cable set**, Ø 2.5 mm, 3.0 m long ..... **806625301**

consisting of:

Fiber light cable (80662530), adapter projector side (8095.07) and adapter endoscope side (809509)

Accessory instruments see page 64.

**D.O.C. (Dual Operating Channel)  
ureterorenoscope**  
with direct view eyepiece



- ❑ Optimum view
- ❑ Largest working channels—with smallest outer dimensions
- ❑ Simultaneous use of two accessory instruments
- ❑ No annoying "Flush-back" effect
- ❑ High-quality materials for maximum stability and long working life

URETERORENOSCOPE

Continuous-irrigation ureterorenoscope with irrigation and instrument channel	Working length	Total length	Telescope	Fr.	Irrigation and instrument channel Fr.	for accessory instruments Fr.	Type
Continuous-irrigation ureterorenoscope, direct view eyepiece, with 2-channel continuous-irrigation system	430 mm	558 mm	5°	6.5 / 8.5	1 x 4.2 and 1 x 2.55	1 x 4 and 1 x 2.4	<b>8708.518</b>
Continuous-irrigation ureterorenoscope, direct view eyepiece, with 2-channel continuous-irrigation system	330 mm	458 mm	5°	6.5 / 8.5	1 x 4.2 and 1 x 2.55	1 x 4 and 1 x 2.4	<b>8708.517</b>

Accessories:

**Handle** ..... **8702.261**

For inserting accessory instruments of 1-6 Fr.:

**Universal sealing valve**, sterile (pack = 5 pcs.) ..... **4712348**

**Fiber light cable set**, Ø 2.5 mm, 3.0 m long ..... **806625301**

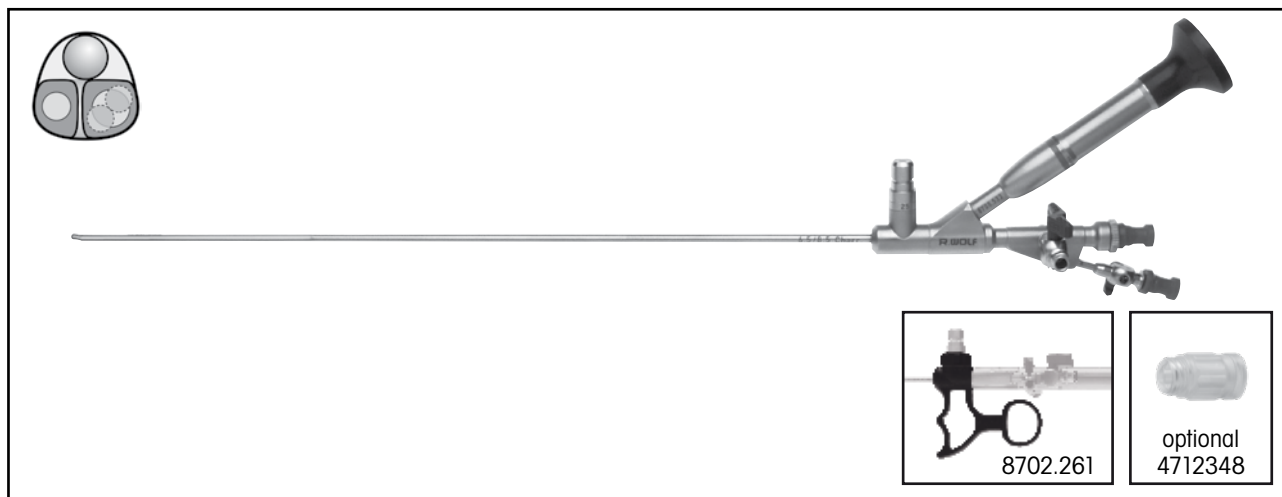
consisting of:

Fiber light cable (80662530), adapter projector side (8095.07) and adapter endoscope side (809509)

Accessory instruments see page 64.

*E-line*

**Continuous-irrigation ureterorenoscope**  
with oblique eyepiece



- ❑ Optimum view
- ❑ Largest working channels – with smallest outer dimensions
- ❑ Simultaneous use of two accessory instruments
- ❑ No annoying "Flush-back" effect
- ❑ High-quality materials for maximum stability and long working life

URETERORENSCOPE

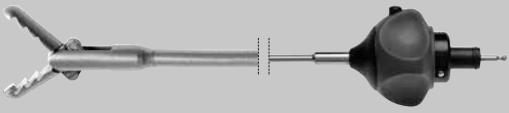







Continuous-irrigation ureterorenoscope with irrigation and instrument channel	Working length	Total length	Telescope	Fr.	Irrigation and instrument channel Fr.	for accessory instruments Fr.	Type
Continuous-irrigation ureterorenoscope, oblique eyepiece, with 2-channel continuous-irrigation system	430 mm	563 mm	5°	6.5 / 8.5	1 x 4.2 and 1 x 2.55	1 x 4 and 1 x 2.4	<b>8708.534</b>

Accessories:

- Handle** ..... **8702.261**
- For inserting accessory instruments of 1 – 6 Fr.:
- Universal sealing valve**, sterile (pack = 5 pcs.) ..... **4712348**
- Membrane retainer**, standard ..... **15256.393**
- Membrane retainer** with Luer ..... **15256.456**
- Membrane seal** (pack of 10) ..... **89.101**

Accessory instruments see page 64.

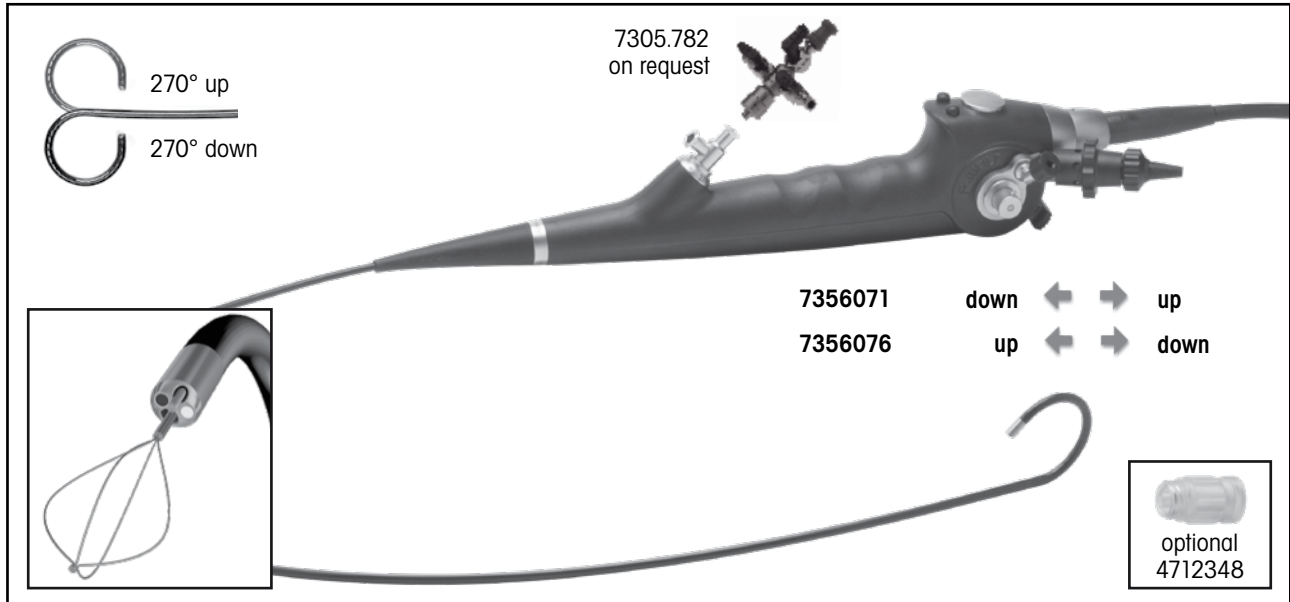
Rigid accessory instruments  
micro modular system **HySafe**  
360° rotatable, flushable, easy click

Insert with sheath					Handle with overload protection 	Complete Instrument • Insert with sheath • Handle
	Recommended fields of application	Types	Fr.	WL		
<b>Biopsy forceps</b> 	Ureterorenoscopy	<b>8952.6008</b>	5	550	<b>8083.001</b>	<b>8952.6002</b>
<b>Grasping forceps with mouse jaws</b> 		<b>8952.6118</b>	4	550		<b>8952.6112</b>
<b>Grasping forceps with alligator jaws</b> 		<b>8952.6218</b>	5	550		<b>8952.6212</b>
<b>Grasping forceps with alligator jaws</b> 		<b>8954.6808</b>	5	550		<b>8954.6802</b>
<b>Grasping forceps with alligator jaws</b> 		<b>8952.6508</b>	5	550		<b>8952.6502</b>
<b>Foreign body grasping forceps</b> 		<b>8952.6608</b>	5	550		<b>8952.6602</b>

URETERORENOSCOPE

**COBRA**  
VISION

Flexible 2-channel sensor ureterorenoscopes  
for ENDOCAM® *Logic HD* and 4K Controller



- ❑ The only flexible dual channel Sensor URS available in the marketplace
- ❑ Laser and irrigation channel 2.4 Fr.
- ❑ Laser channel for fibers up to 365 µm
- ❑ Large 3.6 Fr. working and irrigation channel for high irrigation
- ❑ LED technology for homogeneous illumination
- ❑ No separate light source and light cable necessary
- ❑ Laser shifter controls movement of the laser fiber
- ❑ Optimized channel position for precise positioning of the laser fiber and simple collection of stone concretions:  
laser channel at 9 o'clock, working channel at 6 o'clock

COBRA vision flexible Sensor URS Set	Ureterorenoscope included in set	WL mm	Fr.	Working and irrigation channels	Viewing direction	Angle of view	Set
consisting of: COBRA vision flexible Sensor URS, 2x irrigation set V (163910), disposable cleaning brush (pack of 10, 7990001), disposable cleaning brush (pack of 10, 7990003), adapter (163914), leak tester (163.903), pressure equalization valve (163.904), clamping element, orange (pack of 20, 15394144)	7356071	680	5.2 / 9.9	Irrigation channel 2.4 Fr.	0°	90°	Movement of the control lever distally - articulation of the tip downward <b>73560711</b>
	7356076			Working and irrigation channel 3.6 Fr.			Movement of the control lever distally - articulation of the tip upward <b>73560761</b>










## Flexible 2-channel sensor ureterorenoscopes

### Technical data

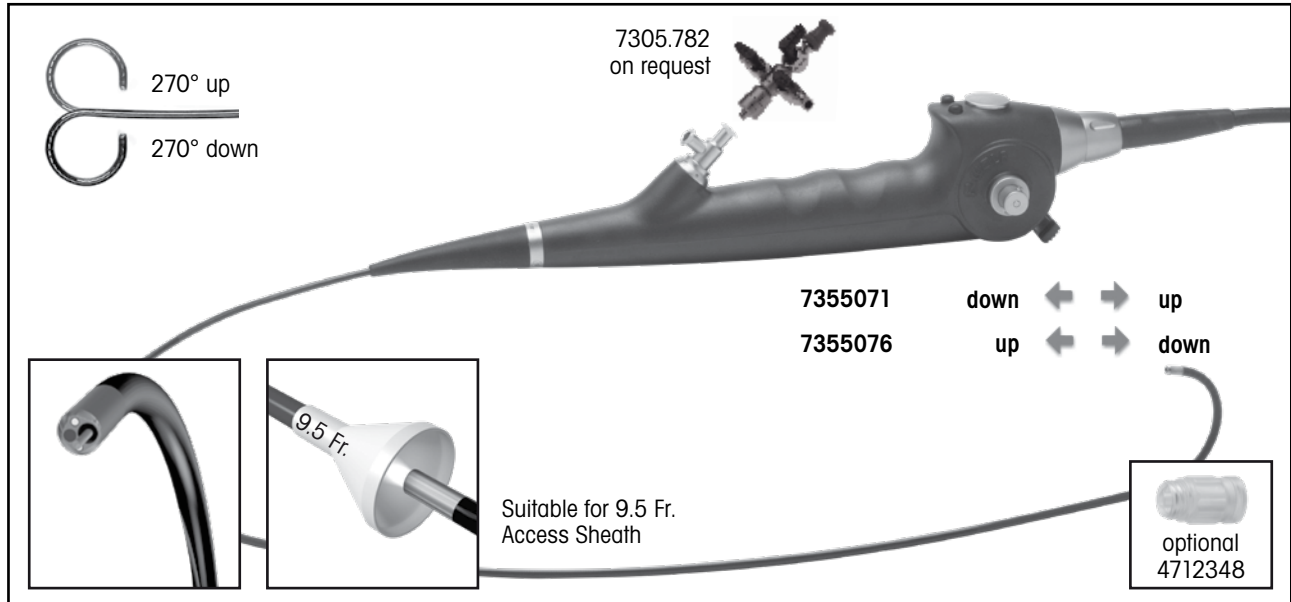
Distal tip	Cylindrical, atraumatic, oblique distal stainless steel tip 5.2 Fr.
Sheath diameter	9.9 Fr.
Number of working channels	2
Working/irrigation channel diameter	3.6 Fr.
Laser/irrigation channel diameter	2.4 Fr.
Angulation	270° upward, 270° downward
Working length	680 mm
Viewing angle	90°
Handle	Integrated LED lighting, ergonomically contoured handle with axial camera cable
Positioning of the working and irrigation channel to the image	at 6 o'clock
Positioning of the laser and irrigation channel to the image	at 9 o'clock
Endoimage	Square, 6-fold size adjustment, automatic light control and focusing
Endocamera	Compatible with all ENDOCAM Logic 4K HD controllers and the ENDOCAM Logic HD / lite Controller

## Flexible 2-channel sensor ureterorenoscopes

### Accessories and auxiliary instruments

	Outer - Ø	WL	Types
<b>Biopsy forceps</b> 	1.0 mm 3 Fr.	920 mm	<b>829.601</b>
<b>Foreign body forceps</b> 	1.0 mm 3 Fr.	920 mm	<b>828.651</b>
<b>Button electrode</b> 	1.0 mm 3 Fr.	920 mm	<b>8741.80</b>
<b>Attachment</b> with instrument insertion tap 			<b>7305.782</b>
<b>Sterile universal sealing valve</b> (pack of 5) for inserting accessory instruments of 1 – 6 Fr. 			<b>4712348</b>
For closing the 2nd luer connector: <b>Luer sealing cap</b> 			<b>15023205</b>
<b>Laser adjustment unit, complete</b> 			<b>15369108</b>
<b>Clamping element, orange</b> (pack of 20) 			<b>15394144</b>
<b>Rinsing set V</b> with double luer lock tube connector 			<b>163.910 (2x)</b>

## Flexible 1-channel sensor ureterorenoscopes for ENDOCAM® Logic HD and 4K Controller



- ❑ The only flexible Sensor URS which fits through a 9.5 Fr. access sheath
- ❑ Universal single channel Sensor URS
- ❑ Large 3.6 Fr. working and irrigation channel for high-performance
- ❑ LED technology for homogeneous illumination
- ❑ No separate light source and light cable necessary
- ❑ Slimline and continuously cylindrical sheath
- ❑ Optimized channel position for precise working: working channel at 9 o'clock

URETERORENOSCOPE

BOA vision flexible Sensor URS Bundle	Ureterorenoscope included in set	WL mm	Fr.	Working and irrigation channels	Viewing direction	Angle of view	Set
consisting of: BOA vision flexible Sensor URS, irrigation set V (163910), disposable cleaning brush (pack of 10, 7990001), leak tester (163.903), pressure equalization valve (163.904)	7355071	680	6.6 / 8.7	Working and irrigation channel 3.6 Fr.	0°	90°	Movement of the control lever distally - articulation of the tip downward <b>73550711</b>
	7355076						Movement of the control lever distally - articulation of the tip upward <b>73550761</b>









## Flexible 1-channel sensor ureterorenoscopes

### Technical data

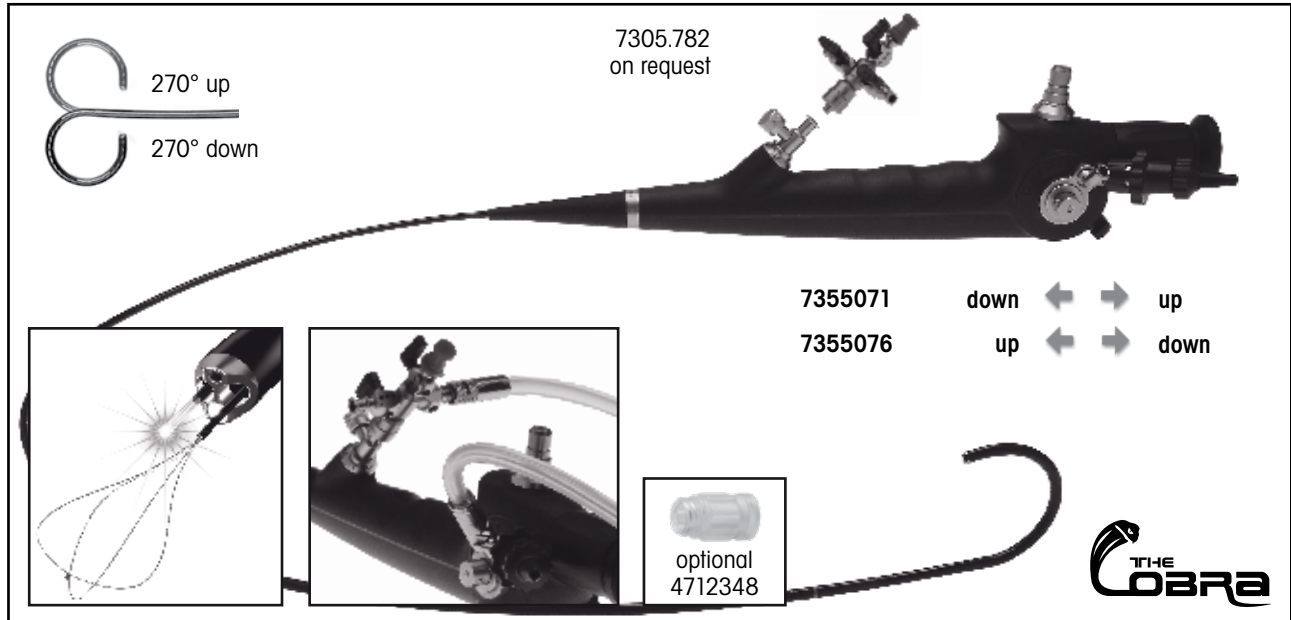
Distal tip	Cylindrical, atraumatic, oblique distal stainless steel tip 6.6 Fr.
Sheath diameter	8.7 Fr.
Number of working channels	1
Working/irrigation channel diameter	3.6 Fr.
Angulation	270° upward, 270° downward
Working length	680 mm
Viewing angle	90°
Handle	Integrated LED lighting, ergonomically contoured handle with axial camera cable
Positioning of the working and irrigation channel to the image	at 6 o'clock
Endoimage	Square, 6-fold size adjustment, automatic light control and focusing
Endocamera	Compatible with all ENDOCAM Logic 4K HD controllers and the ENDOCAM Logic HD / lite Controller

## Flexible 1-channel sensor ureterorenoscopes

### Accessories and auxiliary instruments

	Outer - Ø	WL	Types
<b>Biopsy forceps</b> 	1.0 mm 3 Fr.	920 mm	<b>829.601</b>
<b>Foreign body forceps</b> 	1.0 mm 3 Fr.	920 mm	<b>828.651</b>
<b>Button electrode</b> 	1.0 mm 3 Fr.	920 mm	<b>8741.80</b>
<b>Attachment</b> with instrument insertion tap 			<b>7305.782</b>
<b>Sterile universal sealing valve</b> (pack of 5) for inserting accessory instruments of 1 – 6 Fr. 			<b>4712348</b>
<b>Adapter</b> for automatic leak test 			<b>163.905</b>
For closing the 2nd luer connector: <b>Luer sealing cap</b> 			<b>15023205</b>
<b>Rinsing set V</b> with double luer lock tube connector 			<b>163910</b>

## Flexible fiber 2-channel continuous-irrigation laser-uretero-renoscopes



### First flexible 2-channel laser uretero-renaloscope!

- ❑ Laser channel for fibers up to 365µm
- ❑ Simple control of the laser fiber with special laser shifter
- ❑ Best picture quality thanks to continuous irrigation
- ❑ Faster working without constantly changing between laser fiber and stone basket, because both can be used at the same time
- ❑ 2-channel to provide option of continuous irrigation or dual irrigation
- ❑ Brake mechanism for locking the instrument tip

2-channel laser ureterorenoscope set	Ureterorenoscope included in set	WL mm	Fr.	Working and irrigation channels	Viewing direction	Angle of view	Set
consisting of: 2-channel laser URS, spring piece for laser fiber, orange (pack of 20) (15394144), gas steri valve (163.904), leak tester with bayonet connection (163.903), cleaning adapter (163914), disposable cleaning brush (pack of 10, 7990001)	7326071	680	6 / 9.9	2 x 3.3 Fr.	0°	85°	Forward movement of the control lever - downward movement of the tip <b>732607111</b>
	7326076						Forward movement of the control lever - upward movement of the tip <b>732607611</b>

#### Accessories:

**Fiber light cable set, Ø 2.5 mm, 3.0 m long ..... 806625301**










#### Consisting of:

Fiber light cable (80662530), adapter projector side (8095.07) and adapter endoscope side (809509)



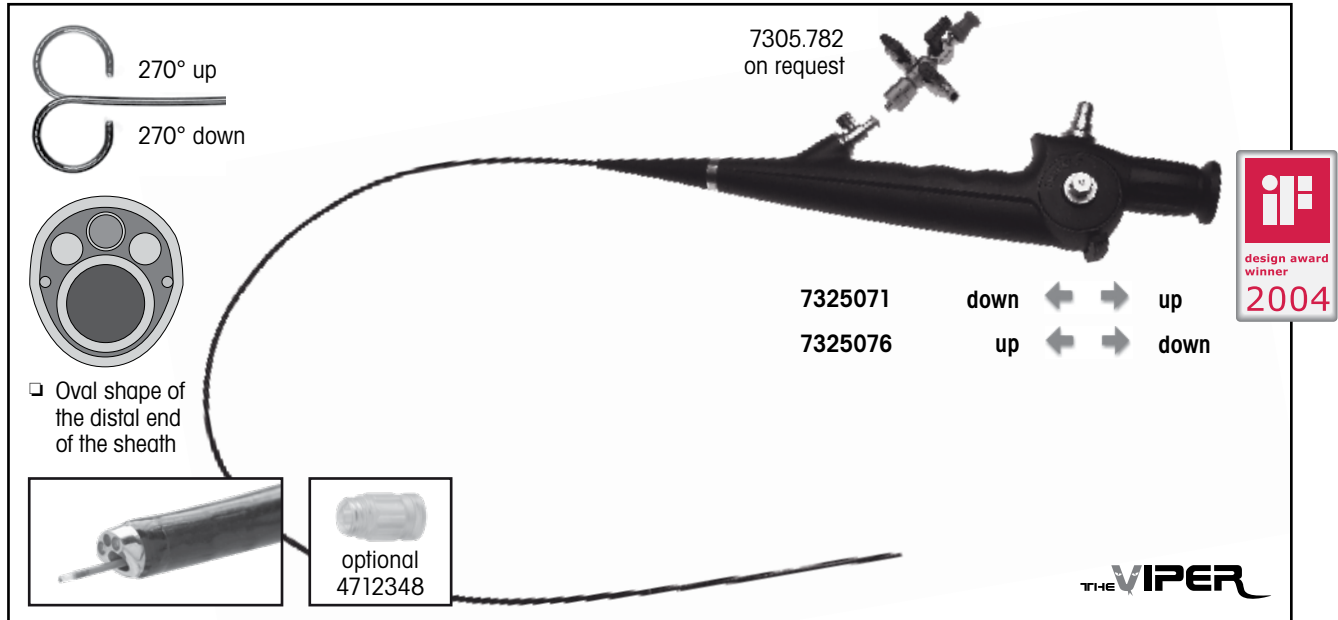
## Accessories and accessory instruments

For flexible 2-channel continuous-irrigation laser URS

	Outer - Ø	WL	Types
<b>Biopsy forceps</b> 	1.0 mm 3 Fr.	920 mm	<b>829.601</b>
<b>Foreign body forceps</b> 	1.0 mm 3 Fr.	920 mm	<b>828.651</b>
<b>Button electrode</b> 	1.0 mm 3 Fr.	920 mm	<b>8741.80</b>
<b>Attachment</b> with instrument insertion tap 			<b>7305.782</b>
<b>Sterile universal sealing valve</b> (pack of 5) for inserting accessory instruments of 1 – 6 Fr. 			<b>4712348</b>
For closing the 2nd luer connector: <b>Luer sealing cap</b> 			<b>15023205</b>
<b>Laser adjustment unit, complete</b> 			<b>15369108</b>
<b>Clamping element, orange</b> (pack of 20) 			<b>15394144</b>
<b>Rinsing set V</b> with double luer lock tube connector 			<b>163910 (2x)</b>

THE VIPER

Flexible fiber ureterorenoscopes  
270°



- ❑ Atraumatic adapted instrument tip
- ❑ Design Award Winner 2004
- ❑ Ergonomical handle design
- ❑ A convincing image
- ❑ Active angulation of 270° in either direction and additional passive angulation
- ❑ Universal Luer connector

URETERORENOSCOPE

Flexible fiber ureterorenoscope 270° set	Ureterorenoscope included in set	WL mm	Fr.	Working and irrigation channels	Viewing direction	Angle of view	Set
consisting of: Flexible fiber URS, leak tester with bayonet connection (163.903), gas steri valve (163.904), disposable cleaning brush (pack of 10, 799001) and case	7325.071	680	6 / 9.6	3.6 Fr.	0°	85°	Forward movement of the control lever - downward movement of the tip <b>73250715</b>
	7325.076						Forward movement of the control lever - upward movement of the tip <b>73250765</b>

Accessories:








**Fiber light cable set**, Ø 2.5 mm, 3.0 m long ..... **806625301**

Consisting of:









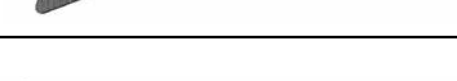



Fiber light cable (80662530), adapter projector side (8095.07) and adapter endoscope side (809509)

## Accessories and accessory instruments

For flexible fiber uretero-roscope 270°

	Outer - Ø	WL	Types
<b>Biopsy forceps</b> 	1.0 mm 3 Fr.	920 mm	<b>829.601</b>
<b>Foreign body forceps</b> 	1.0 mm 3 Fr.	920 mm	<b>828.651</b>
<b>Button electrode</b> 	1.0 mm 3 Fr.	920 mm	<b>8741.80</b>
<b>Attachment</b> with instrument insertion tap 			<b>7305.782</b>
<b>Sterile universal sealing valve</b> (pack of 5) for inserting accessory instruments of 1 – 6 Fr. 			<b>4712348</b>
For closing the 2nd luer connector: <b>Luer sealing cap</b> 			<b>15023205</b>
<b>Rinsing set V</b> with double luer lock tube connector 			<b>163910</b>

## Forceps and Scissors, flexible for ureterorenoscopes

		Working length	Fr.	Types
	<b>Biopsy forceps</b>	920 mm	3	<b>829.601</b>
	<b>Biopsy forceps</b>	550 mm	3.5	<b>8953.60</b>
	<b>Biopsy forceps</b>	600 mm	4	<b>8734.606</b>
	<b>Biopsy forceps</b>	850 mm	4	<b>8734.608</b>
	<b>Biopsy forceps</b>	550 mm	5	<b>829.051</b>
	<b>Foreign body forceps</b>	920 mm	3	<b>828.651</b>
	<b>Grasping forceps</b>	600 mm	4	<b>8734.656</b>
	<b>Grasping forceps</b>	850 mm	4	<b>8734.658</b>
	<b>Grasping forceps, mouse-tooth</b>	600 mm	4	<b>8734.686</b>
		550 mm	5	<b>8735.685</b>
	<b>Grasping forceps,</b>	545 mm	5	<b>8950.66</b>
	<b>Grasping forceps</b>	550 mm	5	<b>828.051</b>
	<b>Flexible scissors for slitting strictures, retrograde cutting action</b>	225 mm	5	<b>8950.28</b>

URETERENOSCOPE

## Percutaneous low-pressure universal nephroscopes

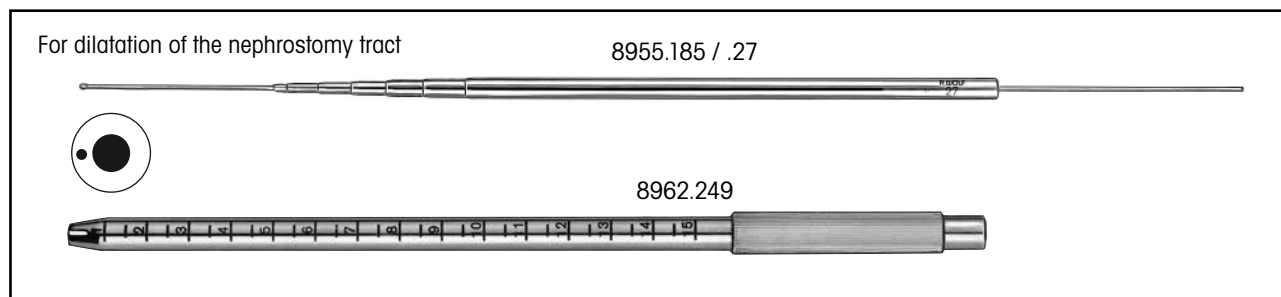


For examination, stone extraction, ultrasound litholapaxy or electro-hydraulic lithotripsy.

- ❑ PANOVIEW operating telescope with oval instrument channel and laterally mounted eyepiece or obliquely offset eyepiece
- ❑ Optimum view of probes or forceps even in very constricted areas
- ❑ Oval irrigation and probe channel
- ❑ PANOVIEW telescopes for examination of the calyceal system
- ❑ Sheaths with irrigation outlets at the distal tip and rotatable, maintenance-free irrigation tap
- ❑ Hollow obturator for use over a J-guide wire
- ❑ Large lumen operating tubes
- ❑ Ultrasound sonotrodes in various sizes
- ❑ Sturdy grasping forceps and stone extractors

## Dilators and fascia scalpel

for percutaneous low-pressure  
universal nephroscopes



### Telescope dilator

for use over a J-guide wire  
consisting of:

1 hollow guide rod 6 Fr. (8955.06),

4 telescope dilators 9 - 18 Fr. .... 8955.185

7 telescope dilators 9 - 27 Fr. .... 8955.27

on request:

**Dilator**, for "one-step" dilatation, length 320 mm

12 Fr. .... 8968.012

15 Fr. .... 8968.015

**Dilator, 30 Fr.**

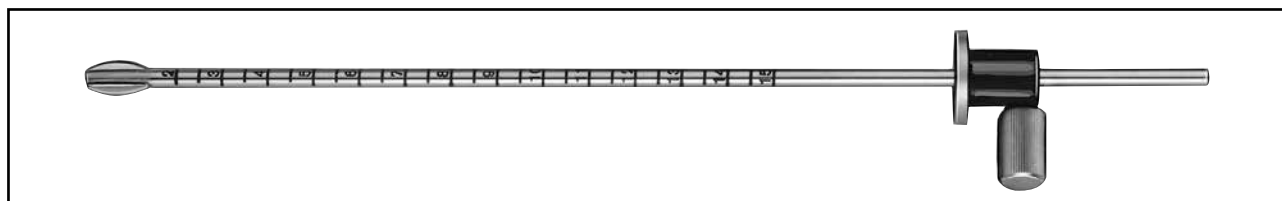
to fit over 27 Fr. dilator of 8955.27 ..... 8955.308

**Dilatation guide rod, 9 Fr.**

with larger internal diameter for introducing a second guide wire ..... 8962.19

**Bougie, 24 Fr.**

for introducing a second guide wire, used over the 15 Fr. dilator ..... 8962.249



**Percutaneous fascia scalpel (knife by Kort)** ..... 8962.72

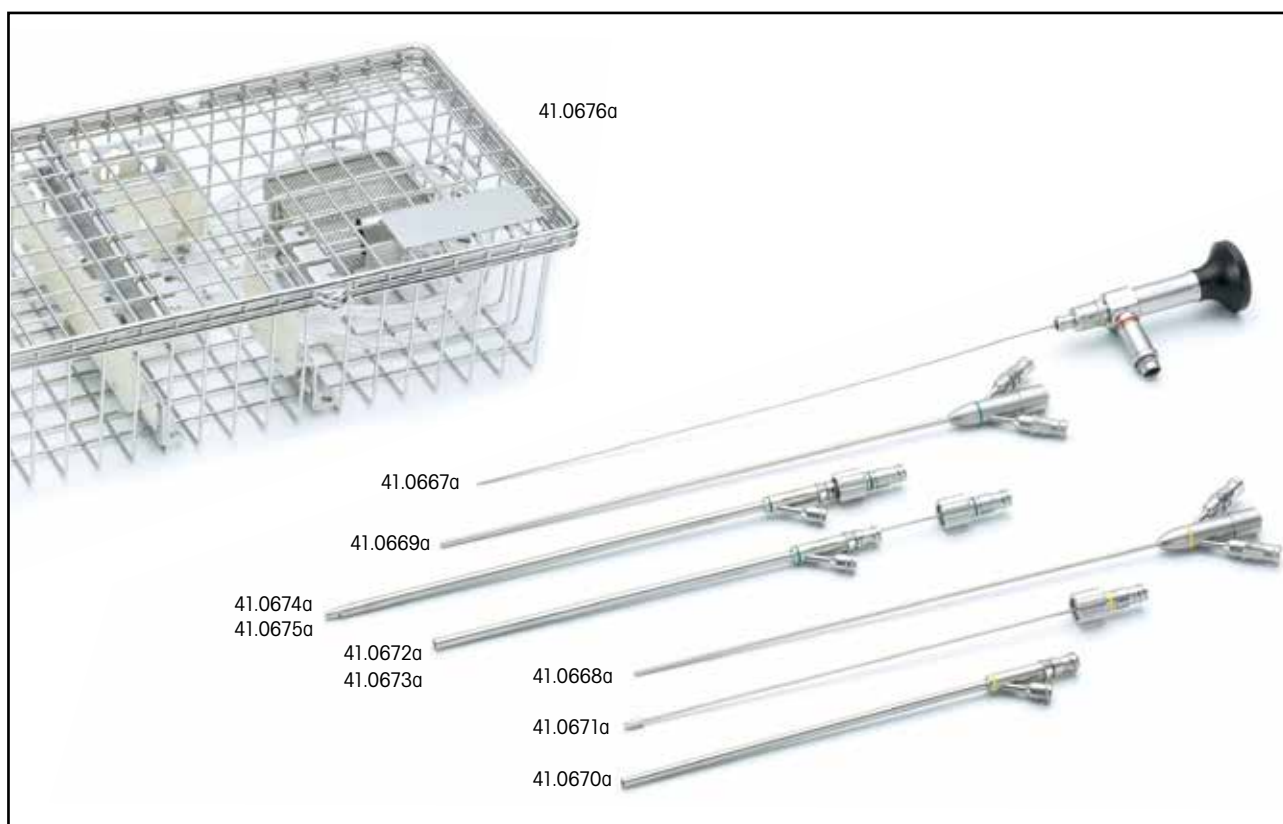
for use over a guide wire

It is often difficult, particularly with patients who have already undergone surgery, to dilate the nephrostomy tract to 24 or 26 Fr., because the scar tissue is usually hard and inelastic. Cold slitting of this tissue makes access much easier.

The subsequent dilatation then only involves the transparenchymatous area of the kidney.

## Ultra-Mini PCNL (UMP) Set

Efficiency in a new size.



- ❑ High stone-free rate with low pressure and integrated, high-flow irrigation sheath.
- ❑ Small, 4 mm incision.
- ❑ Gentle and atraumatic intervention—the small puncture causes minimal dilation of the tissue.
- ❑ Lightweight design.
- ❑ Specially designed, state-of-the-art access sheath with water jet channel for creating turbulence of fragments and high pressure.
- ❑ Excellent image quality and outstanding color reproduction.

### UMP Bundle

Ultra-Mini Nephroscope, all sheaths and obturators, cleaning basket, cleaning brush set, and

sealing caps ..... **41.0665a**

**UMP–Optic Irrigation Tube** ..... **41.0666a**

### UMP–Ultra-Mini Nephroscope, 3.0 Fr.

260 mm working length, autoclavable, 0° direction of view, 85° field of view ..... **41.0667a**

### UMP–6 Fr., Inner Sheath

220 mm working length ..... **41.0668a**

### UMP–Water Jet Sheath, 11 Fr.

150 mm working length ..... **41.0670a**

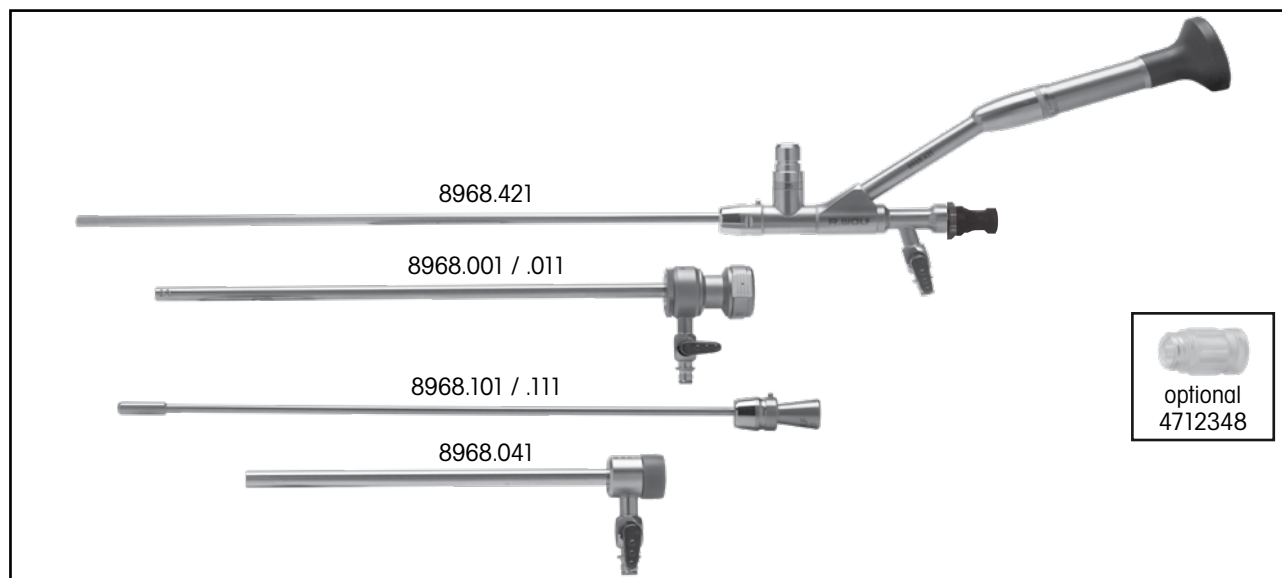
### UMP–Obturator for Water Jet Sheath, 11 Fr.

150 mm working length ..... **41.0671a**

NEPHROSCOPES

<b>UMP–7.5 Fr., Inner Sheath</b>	
220 mm working length .....	<b>41.0669a</b>
<b>UMP–Water Jet Sheath, Standard, 13 Fr.</b>	
150 mm working length .....	<b>41.0672a</b>
<b>UMP–Obturator for Water Jet Sheath, Standard, 13 Fr.</b>	
150 mm working length .....	<b>41.0673a</b>
<b>UMP–Water Jet Sheath, Long, 13 Fr.</b>	
180 mm working length .....	<b>41.0674a</b>
<b>UMP–Obturator for Water Jet Sheath, Long, 13 Fr.</b>	
180 mm working length .....	<b>41.0675a</b>
<b>UMP–Cleaning Basket</b> .....	<b>41.0676a</b>
<b>UMP–Cleaning Brush Set</b> .....	<b>41.0677a</b>
<b>UMP–Sealing Cap for Laser Channel</b> .....	<b>41.0678a</b>

## Miniature nephroscope 15 / 18 Fr. by Lahme



- ❑ For large lower pole caliceal stones as an alternative to ESWL
- ❑ Can be used with Amplatz sheaths as of 13 Fr.
- ❑ Stainless steel special bougies for time-saving "one-step" dilatation
- ❑ Automatic seal between sheath and telescope
- ❑ Fast and safe introduction of accessory instruments thanks to automatic seal on working channel
- ❑ Low pressure PCNL by using Amplatz sheath
- ❑ Simple flush out of stone concretions

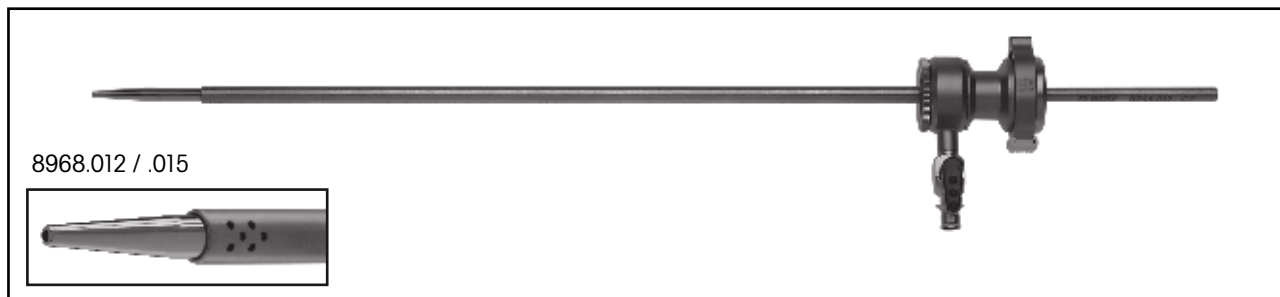
<b>PANOVIEW OP telescope</b> .....	<b>8968.421</b>
with laterally offset eyepiece, viewing direction 12°, outer Ø 12 Fr., 6 Fr. working channel, automatic valve with sealing membrane, WL 225 mm	
also:	
Sterile universal sealing valve, pack of 5 .....	<b>4712348</b>
Recommended light cable:	
<b>Fiber light cable set</b> .....	<b>806625301</b>
Ø 2.5 mm, 3.0 m long consisting of:	
Fiber light cable (80662530), adapter projector side (8095.07) and adapter endoscope side (809509)	
<b>Sheath</b> , round, WL 205 mm, with swivel irrigation ring, distal tip straight, automatic connector,	
15 Fr. ....	<b>8968.001</b>
18 Fr. ....	<b>8968.011</b>
also:	
<b>Obturator</b> , hollow	
for sheath 8968.001 .....	<b>8968.101</b>
for sheath 8968.011 .....	<b>8968.111</b>
<b>Amplatz sheath</b> ,	
18 Fr., WL 150 mm .....	<b>8968.041</b>

NEPHROSCOPES

## Accessory instruments

for miniature nephroscope

15 / 18 Fr. by Lahme



8968.012 / .015

**Dilator** ..... **8968.012**




12 Fr. for "one-step" dilatation, length 320 mm

**Dilator** ..... **8968.015**

15 Fr. for "one-step" dilatation, length 320 mm

Note:

Telescope dilators can, of course, also be used. For more detailed information, refer to page 77.

		WL	Ø	Types
	<b>HySafe</b> Grasping forceps with mouse jaws	425 mm	5 Fr.	<b>8959.6212</b>
	<b>Flexible foreign body forceps</b>	365 mm	6 Fr.	<b>8968.671</b>
	<b>Spare stone grasper for 8968.671</b>			<b>8968.675</b>
	<b>HySafe</b> Grasping forceps with alligator jaws	410 mm	6 Fr.	<b>8968.6802</b>

**Sterile universal sealing valve** ..... **4712348**

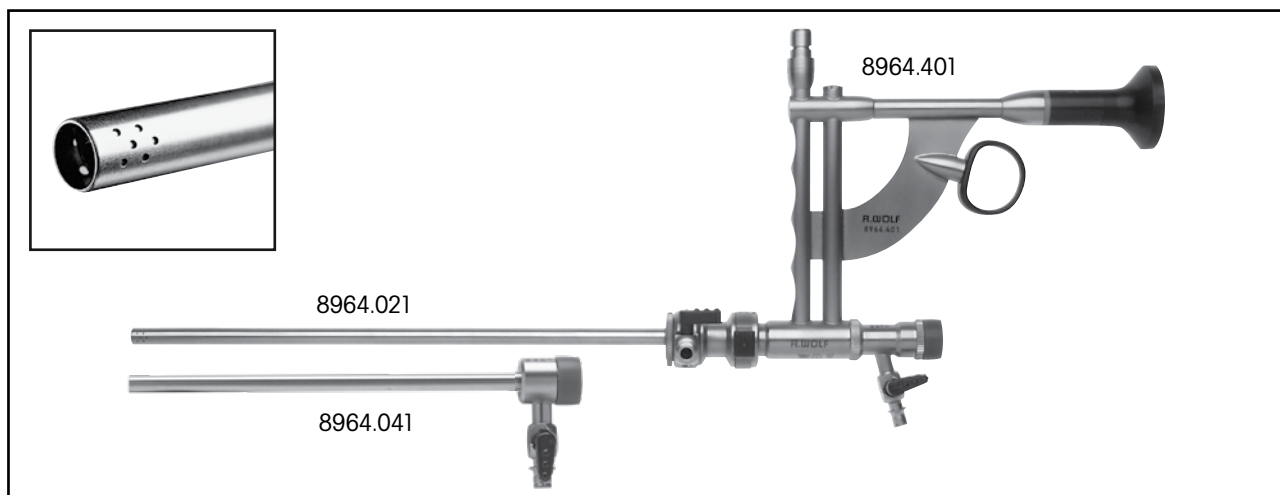
**Membrane retainer, standard** ..... **15256.393**

**Membrane retainer with Luer connector** ..... **15256.456**

**Membrane seal (pack of 10)**..... **89.101**

NEPHROSCOPES

## 20.8 Fr. percutaneous universal nephroscope model "Dresden"






- ❑ Extremely small sheath circumference – but the same sturdy construction
- ❑ Large oval working channel, 14 Fr., for accessory instruments up to Ø 3.5 mm such as the standard ultrasound sonotrodes –with effective irrigation
- ❑ PANOVIEW rod lens system – for optimum image quality
- ❑ Ergonomic design and user-friendly automatic valve – for fatigue-free operation and optimum handling

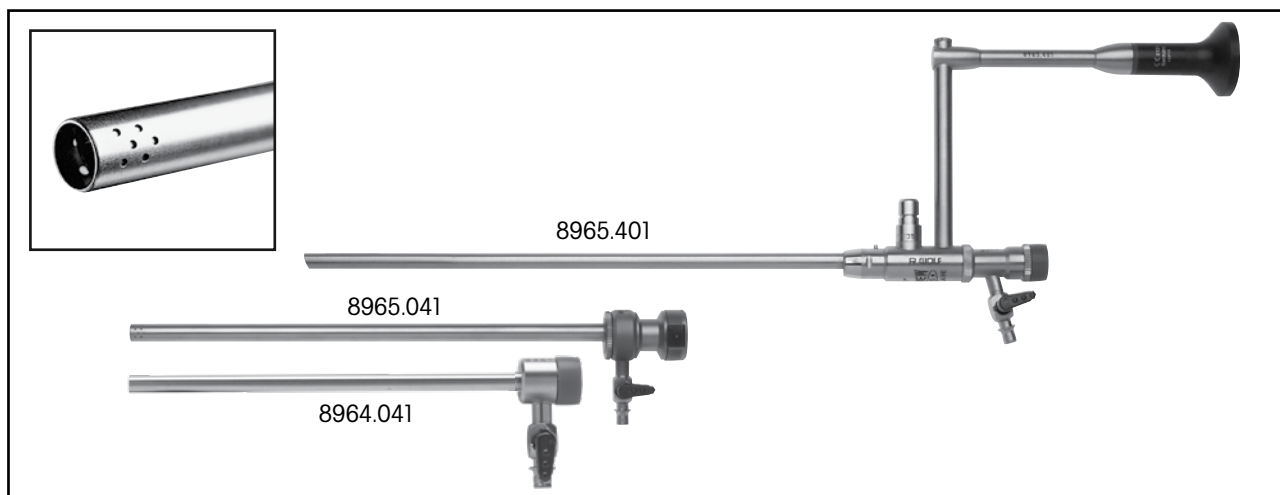
<b>PANOVIEW operating telescope</b> .....	<b>8964.401</b>
with parallel eyepiece, 12°, capacity 3.5 mm, oval instrument channel, WL 224 mm (8964.401), automatic valve (8964.711) with sealing membrane (pack of 5, 89.102), sealing cap blue (89.02), cleaning brush (6.05) recommended light cable:	
<b>Fiber light cable set</b> , Ø 3.5 mm, 3.0 m long .....	<b>806635301</b>
consisting of: Fiber light cable (80663523), adapter projector-side (8095.07) and adapter endoscope-side (809509)	
<b>Sheath, 20.8 Fr.</b> .....	<b>8964.021</b>
round, with swivel irrigation connector, distal tip straight, automatic locking mechanism, WL 204 mm also:	
<b>Obturator</b> , hollow .....	<b>8964.121</b>
alternative:	
<b>Sheath, 24 Fr.</b> .....	<b>8965.041</b>
round, with swivel irrigation connector, distal tip straight, automatic locking mechanism, WL 204 mm	
<b>Obturator</b> , hollow .....	<b>8965.141</b>
<b>Amplatz sheath, 24.3 Fr.</b> , WL 150 mm .....	<b>8964.041</b>
<b>Sealing membrane retainer</b> .....	<b>15176.100</b>

## Accessory Instruments

for 20.8 Fr. percutaneous universal nephroscope  
model "Dresden"

		WL	Ø	Types
	<b>HySafe</b> Stone grasping forceps	355 mm	9 Fr.	<b>8962.6022</b>
	Stone grasper, 3-pronged	350 mm	3.5 mm	<b>8964.671</b>
	Spare stone grasper, 3-pronged			<b>8964.675</b>
	<b>HySafe</b> Grasping forceps with alligator jaws	350 mm	10.5 Fr.	<b>8962.6102</b>

## 24 Fr. percutaneous universal nephroscopes



- ❑ Large oval working channel for accessory instruments up to 3.5 mm diameter while maintaining efficient irrigation
- ❑ PANOVIEW rod lens system - for optimum image quality
- ❑ User-friendly with continuous-irrigation option, swivel irrigation ring on the sheath and automatic valve
- ❑ Extended working length – suitable for obese patients

**PANOVIEW operating telescope** ..... **8965.401**  
 with parallel eyepiece, viewing direction 20°, capacity 3.5 mm, oval instrument channel,  
 WL 224 mm (8965.401), automatic valve (8964.711) with sealing membrane (pack of 5, 89.102),  
 sealing cap blue (89.02), cleaning brush (6.05)

**PANOVIEW operating telescope** ..... **8965.411**  
 with oblique eyepiece, viewing direction 20°, capacity 3.5 mm, oval instrument channel,  
 WL 224 mm (8965.411), automatic valve (8964.711) with sealing membrane (pack of 5, 89.102),  
 sealing cap blue (89.02), cleaning brush (6.05)

recommended light cable:

**Fiber light cable set**, Ø 3.5 mm, 3.0 m long ..... **806635301**  
 consisting of:  
 Fiber light cable (80662530), adapter projector side (8095.07) and adapter endoscope side (809509)

**Sheath, 24 Fr.**

round, with swivel irrigation connector, distal tip straight, automatic locking mechanism, WL 204 mm ..... **8965.041**

**Obturator**, hollow ..... **8965.141**

**Amplatz sheath, 24.3 Fr.**, WL 150 mm ..... **8964.041**

**Sealing membrane retainer** ..... **15176.100**

Option for optical percutaneous ureterotomy:




**Working insert**, for stricture scalpels ..... **8667.911**

**PANOVIEW telescope**, 0°, Ø 4 mm ..... **8650.414**

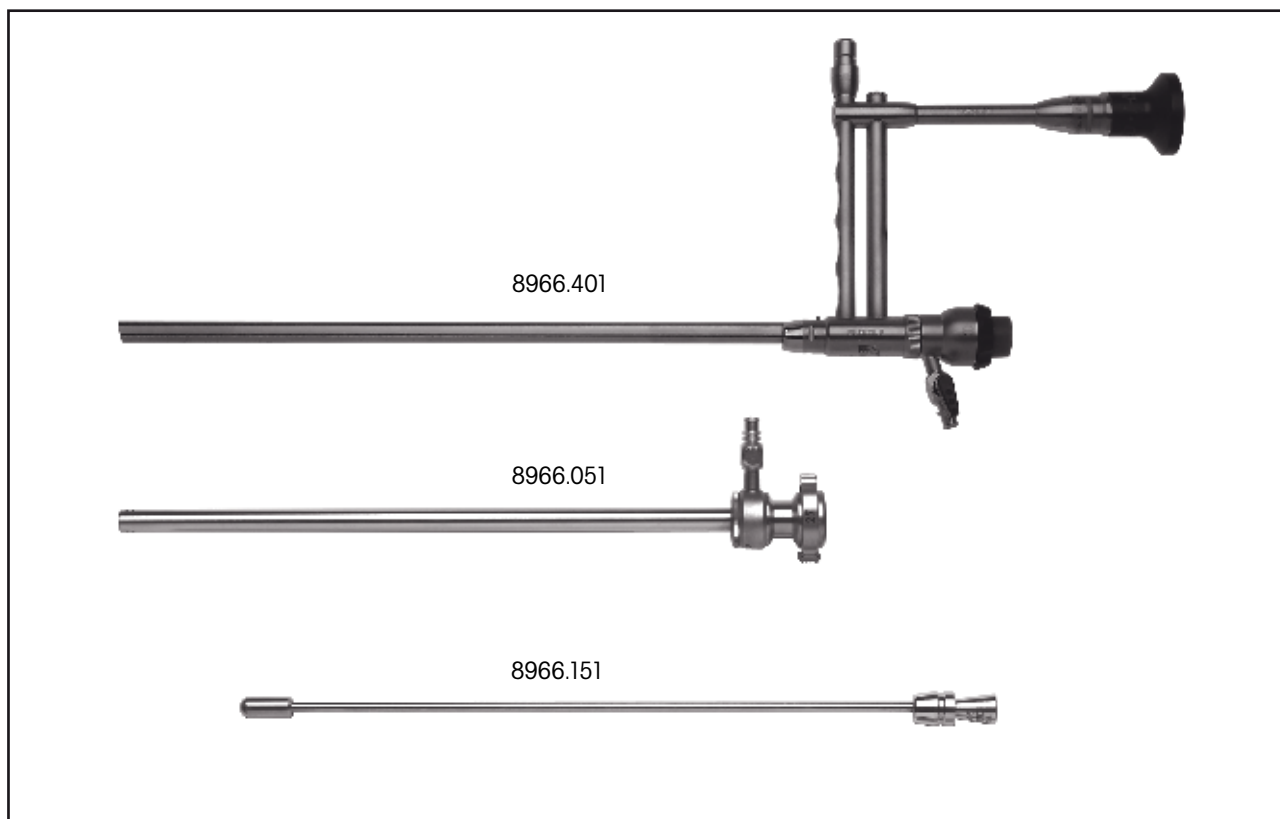
**Stricture scalpel** with ceramic blade, lancet blade ..... **8667.981**

NEPHROSCOPES

## Accessory instruments for 24 Fr. percutaneous universal nephroscopes

		WL	Ø	Types
	<b>HySafe</b> Stone grasping forceps	355 mm	9 Fr.	<b>8962.6022</b>
	Stone grasper, 3-pronged	350 mm	3.5 mm	<b>8964.671</b>
	Spare stone grasper, 3-pronged			<b>8964.675</b>
	<b>HySafe</b> Grasping forceps with alligator jaws	350 mm	10.5 Fr.	<b>8962.6102</b>

## 27 Fr. Extra long percutaneous universal nephroscope



**PANOVIEW operating telescope set, 12°** ..... **8966.4011**

also suitable for obese patients, with parallel eyepiece, with oval working channel for accessory instruments up to 4 mm diameter, WL 250 mm

consisting of:

PANOVIEW operating telescope (8966.401), automatic valve with sealing membrane (10 pieces / 89.103), sealing cap, blue (89.02) and sealing lid (15176.106)

recommended light cable:

**Fiber light cable set, Ø 3.5 mm, 3.0 m long** ..... **806635301**

consisting of:




Fiber light cable (80663523), adapter projector-side (8095.07) and adapter endoscope-side (809509)

**Operating sheath** ..... **8966.051**

round, with swivel irrigation connector, distal tip straight, automatic locking mechanism, 27 Fr., WL 230 mm

**Obturator, hollow** ..... **8966.151**

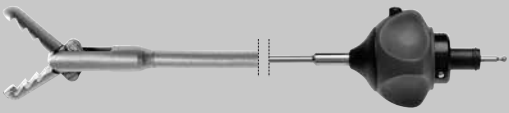

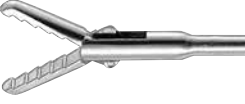
27 Fr. Extra long accessory instruments  
for percutaneous universal nephroscope  
long version for obese patients

		WL	Ø	Types
	<b>HySafe</b> Stone grasping forceps	355 mm	9 Fr.	<b>8962.6022</b>
	Stone grasper, 3-pronged	350 mm	3.5 mm	<b>8964.671</b>
	Spare stone grasper, 3-pronged			<b>8964.675</b>
	<b>HySafe</b> Grasping forceps with alligator jaws	350 mm	10.5 Fr.	<b>8962.6102</b>

## Rigid accessory instruments

forceps and scissors, micro modular system **HySafe**

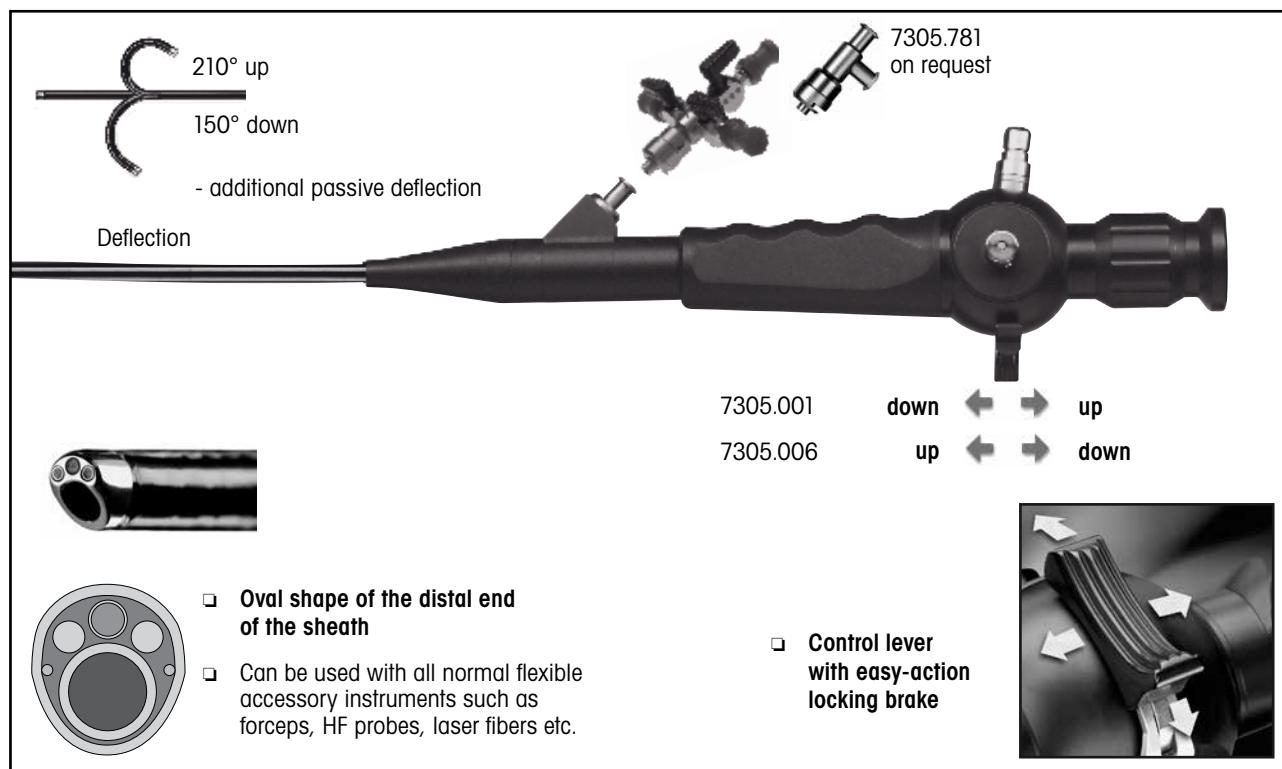
360° rotatable, flushable, easy click

Insert with sheath					Handle with overload protection 	Complete Instrument • Insert with sheath • Handle
	Recommended fields of application	Types	Fr.	WL		
 <b>Stone grasping forceps</b> with alligator jaws	Nephroscopy	8962.6008	10.5	350	8083.001	8962.6002
		8962.6048	12	340		8962.6042
		8962.6028	9	355		8962.6022
		8962.6108	10.5	350		8962.6102
		8962.6078	12	340		8962.6072
		8962.6058	12	340		8962.6052
		8968.6808	6	410		8968.6802

NEPHROSCOPES

# Flexible fiber-urethro-cystoscope

5 mm / 15 Fr.  
Channel 2.5 mm / 7.5 Fr.



- Safe and atraumatic passage through the urethra is provided by the oblique distal tip
- Reduced weight and ergonomic design for optimal handling and less strain on the operator
- 0° viewing direction, 120° angle of view

Flexible Fiber Urethro-Cystoscope Set	included in set Fiber-urethro-cystoscope	Outer diameter	Instrument channel	Working length	Set
consisting of: Fiber-urethro-cystoscope, instrument port (7305.782), leak tester (163.903), gas sterilization valve (163.904), disposable cleaning brush (7990002), case	7305.001	5 mm 15 Fr.	2.5 mm 7.5 Fr.	400 mm	Forward movement of the control lever provides downward movement of the tip <b>730500111</b>
	7305.006				Forward movement of the control lever provides upward movement of the tip <b>730500611</b>

Accessories:

**Fiber light cable set**, Ø 2.5 mm, 3.0 m long ..... **806625301**






Consisting of:

Fiber light cable (80662530), adapter projector side (8095.07) and adapter endoscope side (809509)

Accessory instruments see next page.

NEPHROSCOPES

## Accessory instruments for flexible fiber nephroscope

		Outer - Ø	WL	Types
<b>Biopsy forceps</b> Extra long jaws to obtain a larger specimen		1.6 mm 5 Fr.	550 mm	<b>829.051</b>
<b>Mouse-tooth grasping forceps</b> , Safe and effective grasping with mouse-tooth geometry		1.6 mm / 5 Fr.	550 mm	<b>8735.685</b>
		2.0 mm / 6.5 Fr.	550 mm	<b>8736.685</b>
<b>Attachment</b> with 2 Luer connectors, quick-lock mechanism				<b>7305.781</b>
<b>Luer sealing cap</b>				<b>15023205</b>
<b>Sterile universal sealing valve</b> (pack of 5) for inserting accessory instruments of 1 – 6 Fr.				<b>4712348</b>

# UreTron



**UreTron Full System Single Footswitch Bundle ..... URT-F-US-SINGLE**

**Includes:**

UreTron generator.....	URT-G-US
UreTron footswitch single connector .....	URT-FS
UreTron rigid hand piece x2 .....	URT-TR
UreTron wrench.....	URT-W
UreTron cleaning rod.....	URT-CR
UreTron power cord.....	URT-PC-US

**UreTron Full System Dual Footswitch Bundle ..... URT-F-US**

**Includes:**

UreTron generator.....	URT-G-US
UreTron footswitch dual connector .....	URT-FS-D
UreTron rigid hand piece x2 .....	URT-TR
UreTron wrench.....	URT-W
UreTron cleaning rod.....	URT-CR
UreTron power cord.....	URT-PC-US

LITHOTRIPSY

Disposables and accessories next page.

## UreTron disposables and accessories

### Disposables

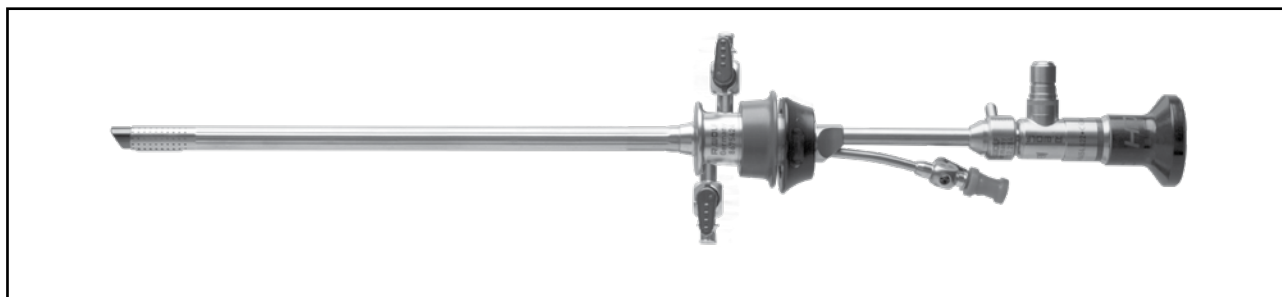
UreTron rigid sterile probe 3.5 x 370 mm .....	URT-PR-3.5-370S
UreTron rigid sterile probe 3.1 x 370 mm.....	URT-PR-3.1-370S
UreTron semi-rigid sterile probe 1.9 x 370 mm.....	URT-PS-1.9-370S
UreTron semi-rigid sterile probe 1.5 x 370 mm.....	URT-PS-1.5-370S
UreTron semi-rigid sterile probe 1.5 x 570 mm.....	URT-PS-1.5-570S

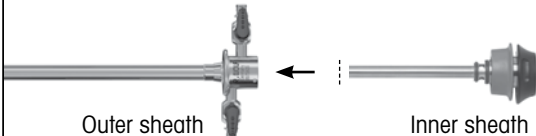





### Accessories



UreTron suction pinch valve.....	URT-SPV
Non-sterile tubing and specimen bottle .....	URT-SPV-Tubing
20.8/24 Fr. UreTron rigid scope connector .....	URT-CK-RW
27 Fr. UreTron rigid scope connector .....	URT-CK-RW-1
15/18 Fr. UreTron semi-rigid scope connector.....	URT-CK-SW
UreTron footswitch dual connector.....	URT-FS-D
UreTron footswitch single connector.....	URT-FS
UreTron flex hand piece.....	URT-TF
UreTron rigid hand piece .....	URT-TR
UreTron wrench.....	URT-W
UreTron cleaning rod .....	URT-CR
UreTron power cord .....	URT-PC-US




## GreenLight™ continuous irrigation laser resectoscope side fire lasers



Fr. Color code	Distal tip	Continuous irrigation sheaths, inner sheath with distal ceramic tip	Obturator	Viewing obturator	Dilation obturator
<b>Sheaths</b>		 <p>Outer sheath      Inner sheath</p>			
<b>24.5 Fr. green</b>		<b>8675424</b> <b>8675322</b>	<b>8673022</b>	<b>8673122</b>	-
<b>26 Fr. yellow</b>		<b>8675426</b> <b>8675324</b>	<b>8673024</b>	<b>8673124</b>	<b>8673224</b>

Working insert for a free control move of the laser fiber without stop. Provides special stabilization of the fiber tip during GreenLight vaporization and others.	Type
 <p><b>Working insert</b> for flexible accessory instruments up to 6.5 Fr.</p>	<b>8632.284</b>
<p>also: <b>Rubber cap</b>, extended, dark orange (pack of 1)</p> 	<b>18.01</b>

∅	Viewing direction	Types	PANOVIEW telescopes
4 mm	30°	<b>8654.422</b>	
	12°	<b>8654.431</b>	



Accessories:

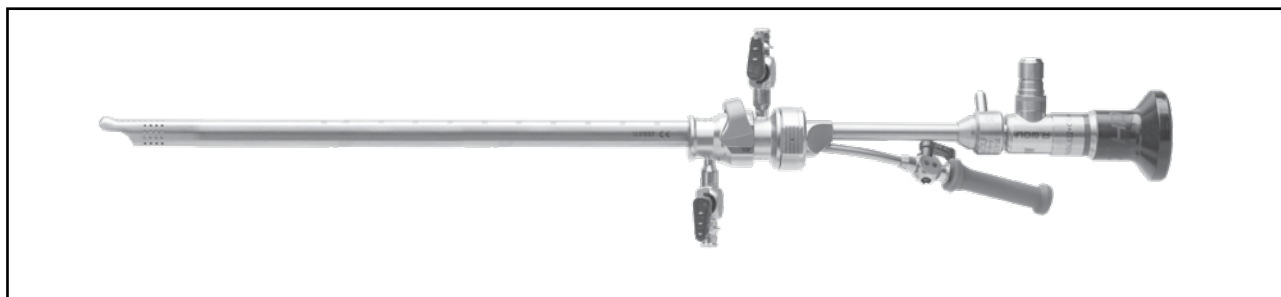
**Fiber light cable set**, ∅ 2.5 mm, 3.0 m long ..... **806625301**

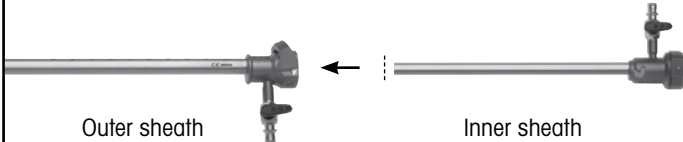



consisting of:


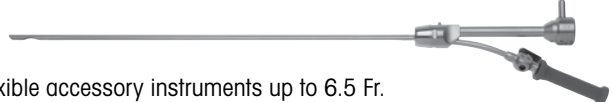
Fiber light cable (80662530), adapter projector-side (8095.07) and adapter endoscope-side (809509)



LASER THERAPY

# GreenLight™ continuous irrigation laser cystoscope especially for the use with side fire laser fibers



Fr. Color code	Distal tip	Continuous irrigation sheaths	Obturator	Viewing obturator
<b>Sheaths</b>		 Outer sheath                      Inner sheath		
<b>22.5 Fr. green</b>		<b>8632.026</b> <b>8632.027</b>	<b>8632.126</b>	<b>8632.726</b>

Working insert for a free control move of the laser fiber without stop	Type
  <b>Working insert</b> for flexible accessory instruments up to 6.5 Fr.	<b>8632.914</b>

Ø	Viewing direction	Types	PANOVIEW telescopes
4 mm	30°	<b>8654.422</b>	 
	12°	<b>8654.431</b>	

Accessories:

**Biopsy Forceps, 5 Fr.** ..... **829.05**

**Fiber light cable set, Ø 2.5 mm, 3.0 m long** ..... **806625301**

consisting of:

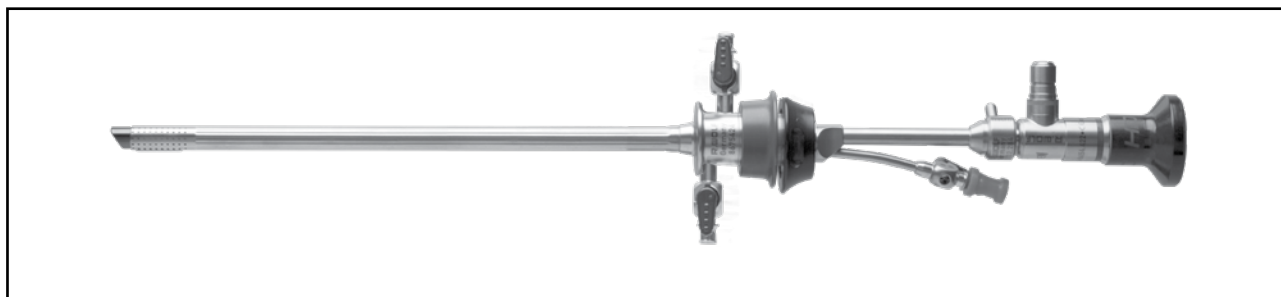
Fiber light cable (80662530), adapter projector-side (8095.07) and adapter endoscope-side (809509)

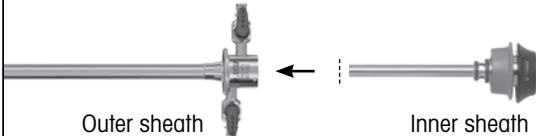





**LASER THERAPY**







# GreenLight™ continuous irrigation laser resectoscope

especially for the use with side fire laser fibers



Fr. Color code	Distal tip	Continuous irrigation sheaths, inner sheath with distal ceramic tip	Obturator	Viewing obturator	Dilation obturator
<b>Sheaths</b>		 <p>Outer sheath      Inner sheath</p>			
<b>24 Fr. green</b>		<b>8675424</b> <b>8675322</b>	<b>8673022</b>	<b>8673122</b>	-
<b>26 Fr. yellow</b>		<b>8675426</b> <b>8675324</b>	<b>8673024</b>	<b>8673124</b>	<b>8673224</b>

Working insert for a free control move of the laser fiber without stop	Type
  <p><b>Working insert "Freestyle"</b> for flexible accessory instruments up to 6.5 Fr.</p>	<b>8632.914</b>

Ø	Viewing direction	Types	PANOVIEW telescopes
4 mm	30°	<b>8654.422</b>	 
	12°	<b>8654.431</b>	

Accessories:

**Biopsy Forceps, 5 Fr.** ..... **829.05**

**Fiber light cable set, Ø 2.5 mm, 3.0 m long** ..... **806625301**

consisting of:

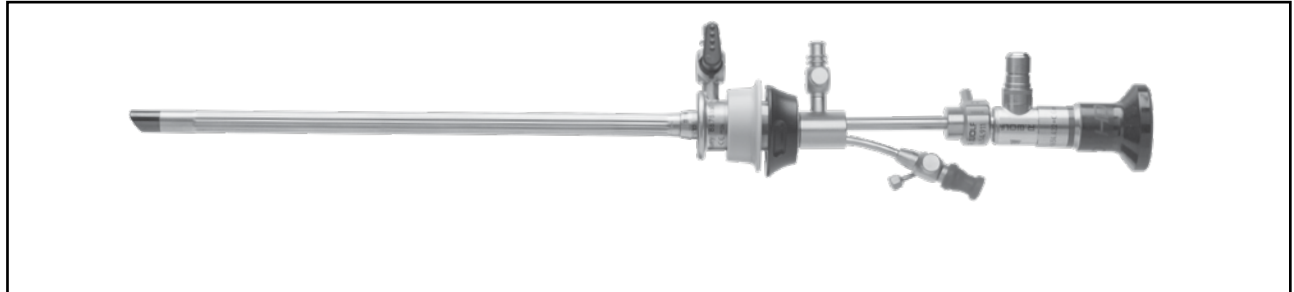
Fiber light cable (80662530), adapter projector-side (8095.07) and adapter endoscope-side (809509)








LASER THERAPY





## Continuous irrigation working laser insert

for laser probes up to 7.5 Fr.



Fr. Color code	Distal tip	Continuous irrigation sheaths, inner sheath with distal ceramic tip			Obturator	Viewing obturator	Dilation obturator
<b>Sheaths</b>		Resectoscope sheath	Rotatable irrigation adapter				
			 with 4 mm luer connector	 with 3 mm luer connector with stopcock			
<b>24 Fr. yellow</b>		<b>8676324</b>	<b>8676354</b>	<b>8676361</b>	<b>8673024</b>	<b>8673124</b>	<b>8673224</b>
			Two-way stopcock 883.12				

Working insert for continuous-irrigation with port for flexible accessory instruments up to 7.5 Fr.	Type
 <b>Working insert</b> for continuous irrigation	<b>8654.911</b>

Ø	Viewing direction	Types	PANOVIEW telescopes
4 mm	30°	<b>8654.422</b>	
	12°	<b>8654.431</b>	



Accessories:

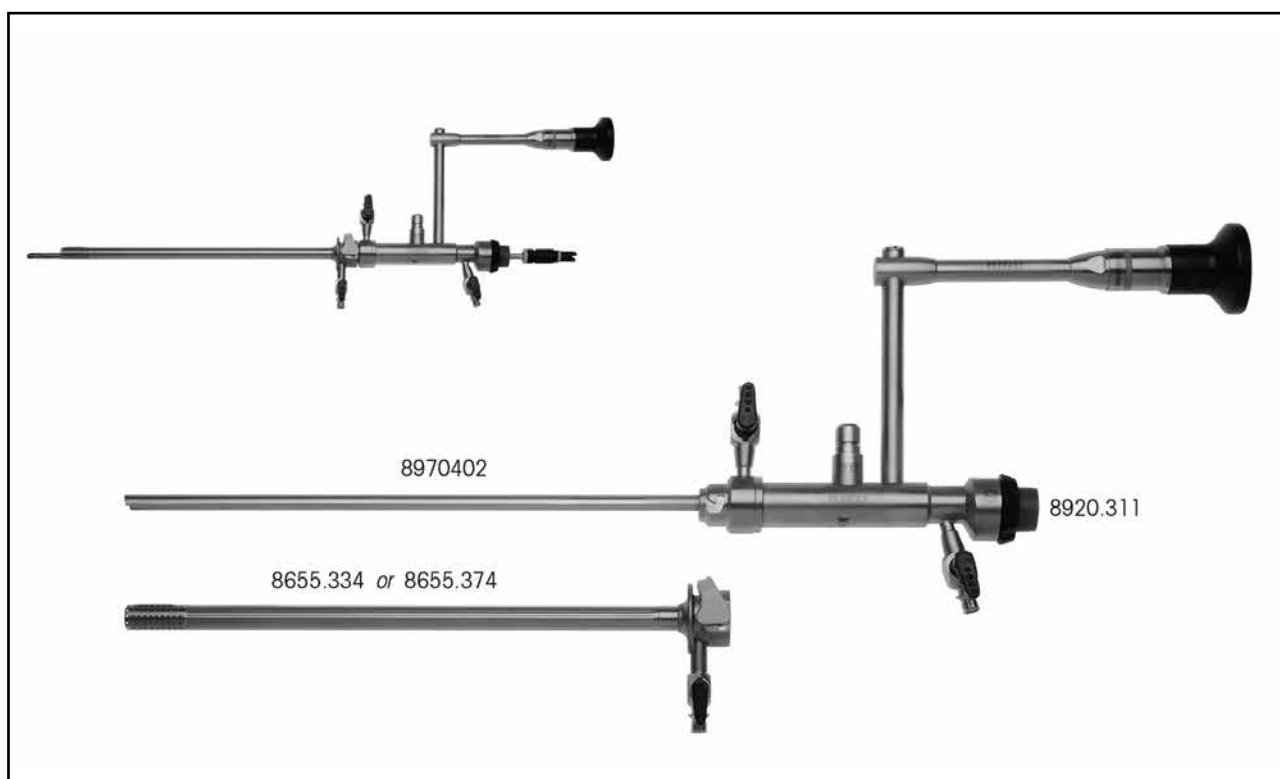
**Fiber light cable set**, Ø 2.5 mm, 3.0 m long ..... **806625301**

consisting of:

Fiber light cable (80662530), adapter projector-side (8095.07) and adapter endoscope-side (809509)

## PIRANHA Scope

for morcellation after laser enucleation of the prostate



- Excellent viewing conditions thanks to integrated irrigation channels
- Reduce overall operating time
- Reduce the overall costs of Laser TUR-P procedures

### PANOVIEW operating telescope set "PIRANHA Scope"

consisting of:

PANOVIEW operating telescope "PIRANHA Scope", direction of view 12° with parallel eyepiece, capacity 5 mm for auxiliary instruments up to diameter 4.8 mm (8970402), autom. Valve (8920.311), Hand bulb (103.00).

Cleaning brush (6.01) .....	89704021
Blue O-Ring .....	15364368
Yellow Scope O-ring collar .....	9500118
Irrigation Adapter .....	15461.039


also:

option of continuous-irrigation for use of the

<b>Continuous irrigation outer sheath, 26 Fr</b> .....	8655.374
--	----------

## Rotation morcellators

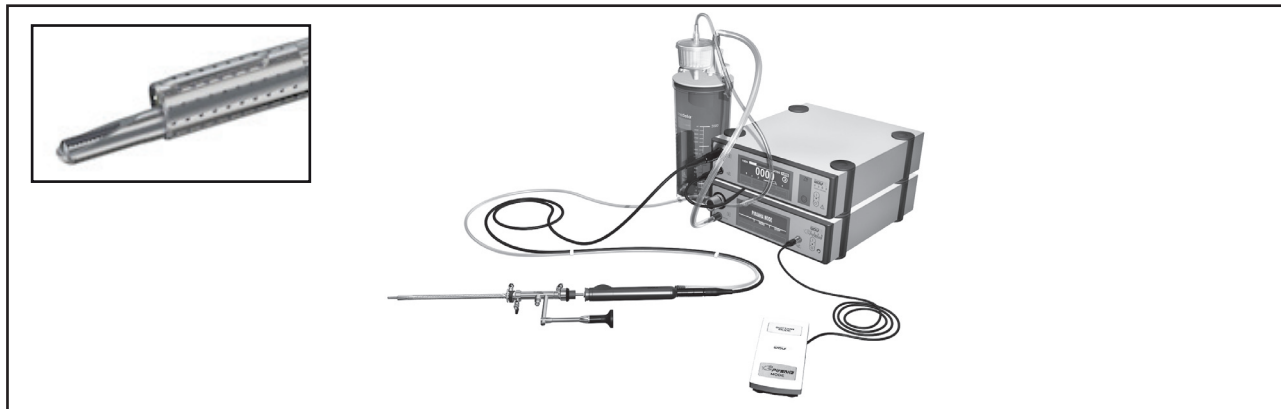
for "MORCE" scope

		Outer $\varnothing$	WL	Types
	<b>Rotation morcellator,</b> single use, (pack of 3) packed singly, sterile	4.8 mm	350 mm	<b>49700113</b>
	<b>Rotation morcellator,</b> single use, (pack of 3) packed singly, sterile for morcellator telescopes of other manufacturer		385 mm	<b>49700103</b>



## Tissue morcellator

for morcellation after laser enucleation  
of the prostate



- ❑ Enucleation and morcellation without sheath change
- ❑ Reduce operating time and costs
- ❑ High cutting speed due to oscillating cutting action
- ❑ No "Ping-Pong" effect
- ❑ Intuitive operation of the instruments and devices

**"PIRANHA" suction pump set** ..... **22080110**

Suction pump for continuous aspiration of irrigation fluid and enucleated tissue  
comprising:

"PIRANHA" Suction Pump, microprocessor controlled high-performance suction pump with LCD display,  
100 - 240 V a.c., 50 / 60 Hz (2208011), foot switch (2030108), connecting cable (2208121), bottle holder  
(64031.381), sound absorber (pack of 10 / 35100115), vacuum tube (8170.6554), bacteria filter (pack of 10 /  
2228.901), secretion container 2000 ml (8170.655), power cable (2440.03)

**Disposable tube set** (pack of 10) ..... **41702208**

**Disposable tissue collecting container** (pack of 10) ..... **2208120**

optional: **Secretion container** 3000 ml ..... **8170.981**

**Power Control generator** for motor handle, 50/60 Hz, 100-240 V a.c. .... **2303.001**

**Power cable** ..... **2440.03**

**Power Stick M 4-handle** ..... **8564121**

motorized handle (8564.021), with connecting cable (8564.851), sealing-bushing - open (15178145), max. 6000 rpm

**Rotation morcellator**, single use, Ø 4.75 mm, WL 335 mm, (pack of 3), packed singly, sterile ..... **49700113**

consisting of: Outer and inner blade

**Rotation morcellator** for morcellator telescopes of other manufacturer ..... **49700103**

single use, Ø 4.75 mm, WL 385 mm, (pack of 3), packed singly, sterile

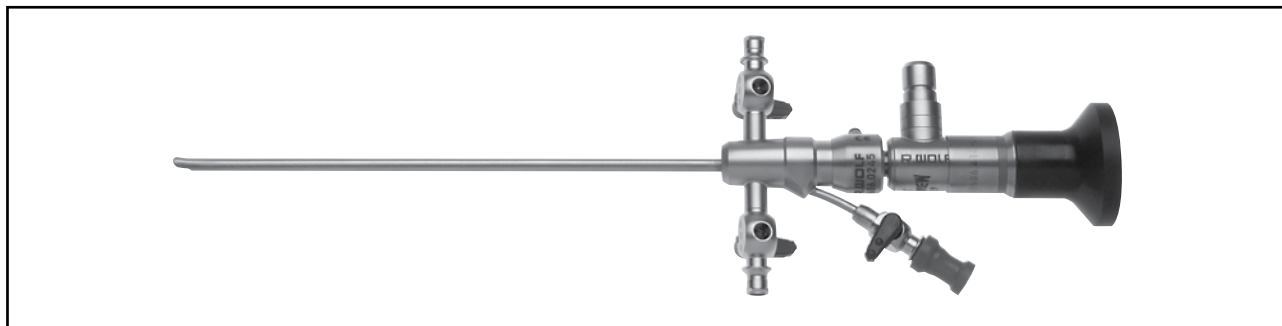
consisting of: Outer and inner blade


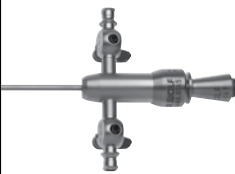

LASER THERAPY



*E-line*

# Cysto-urethroscope 8686

for telescope 1.9 mm



Sheaths with obturator					
					
	Fr.	Color code	Capacity (Fr.)	only for examination	1 Instrument port
<b>8686.0141</b>	7.5	blue	-	• for use with 0° telescope only	
<b>8686.0241</b>	8.5	red	3		•
<b>8686.0341</b>	9.5	yellow	4		•

Ø	Viewing direction	Types	PANOVIEW telescopes
1.9 mm	0°	<b>8686.414</b>	 
	25°	<b>8686.415</b>	

Accessories:

**Fiber light cable set**, Ø 2.5 mm, 3.0 m long ..... **806625301**

Consisting of:

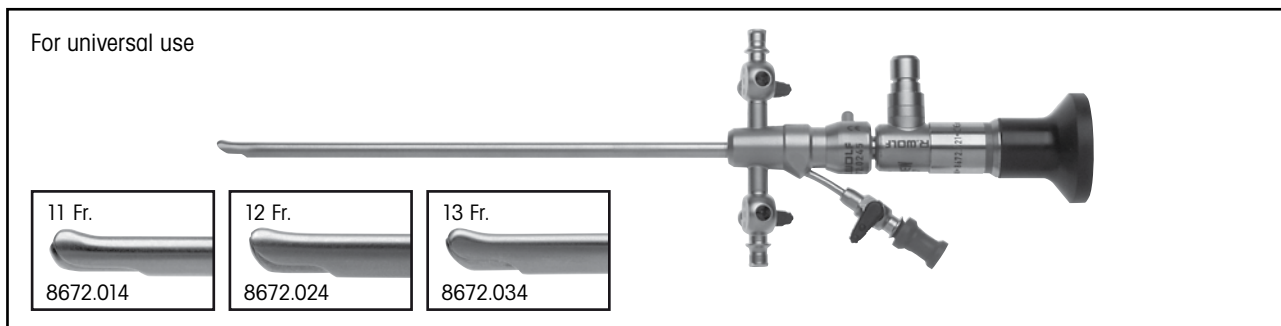
Fiber light cable (80662530), adapter projector side (8095.07) and adapter endoscope side (809509)





SMALL CALIBER


*E-line*

# Cysto-urethroscope 8672

for telescope 2.7 mm



Sheaths with obturators						
						
	Fr.	Color code	Capacity (Fr.)	only for examination	1 Instrument port	2 Instrument ports
<b>8686.0141</b>	11	red	-	•		
<b>8686.0241</b>	12	green	1 x 4		•	
<b>8686.0341</b>	13	blue	1 x 5 or 2 x 4			•

Ø	Viewing direction	Types	PANOVIEW telescopes
2.7 mm	0°	<b>8672.421</b>	
	30°	<b>8672.422</b>	
	70°	<b>8672.425</b>	

**HD**  
High Definition

Accessories:

**Fiber light cable set**, Ø 2.5 mm, 3.0 m long ..... **806625301**

Consisting of:

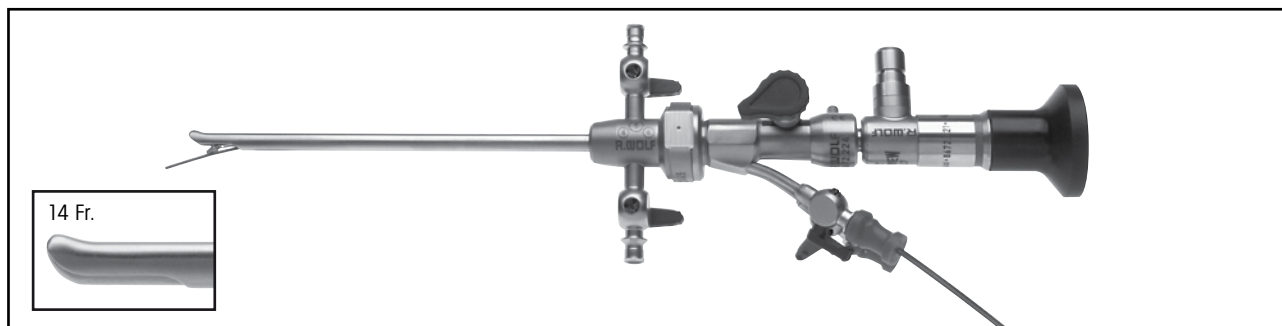
Fiber light cable (80662530), adapter projector side (8095.07) and adapter endoscope side (809509)


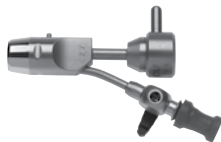


SMALL CALIBER


*E-line*

# Cysto-urethroscope 8672

for telescope 2.7 mm



Sheaths with obturators				Adapter	Insert with Albarran deflector	
						
	Fr.	Color code	Capacity (Fr.)	1 Instrument port	1 Instrument port	2 Instrument ports
<b>8672.0441</b>	14	white	5	<b>8672.264</b> for urethroscopy	<b>8672.214</b> for cystoscopy	
			2x4			<b>8672.224</b> for cystoscopy

Ø	Viewing direction	Types	PANOVIEW telescopes
2.7 mm	0°	<b>8672.421</b>	 <b>HD</b> High Definition
	30°	<b>8672.422</b>	
	70°	<b>8672.425</b>	

Accessories:

**Fiber light cable set**, Ø 2.5 mm, 3.0 m long ..... **806625301**



Consisting of:

Fiber light cable (80662530), adapter projector side (8095.07) and adapter endoscope side (809509)

**SMALL CALIBER**

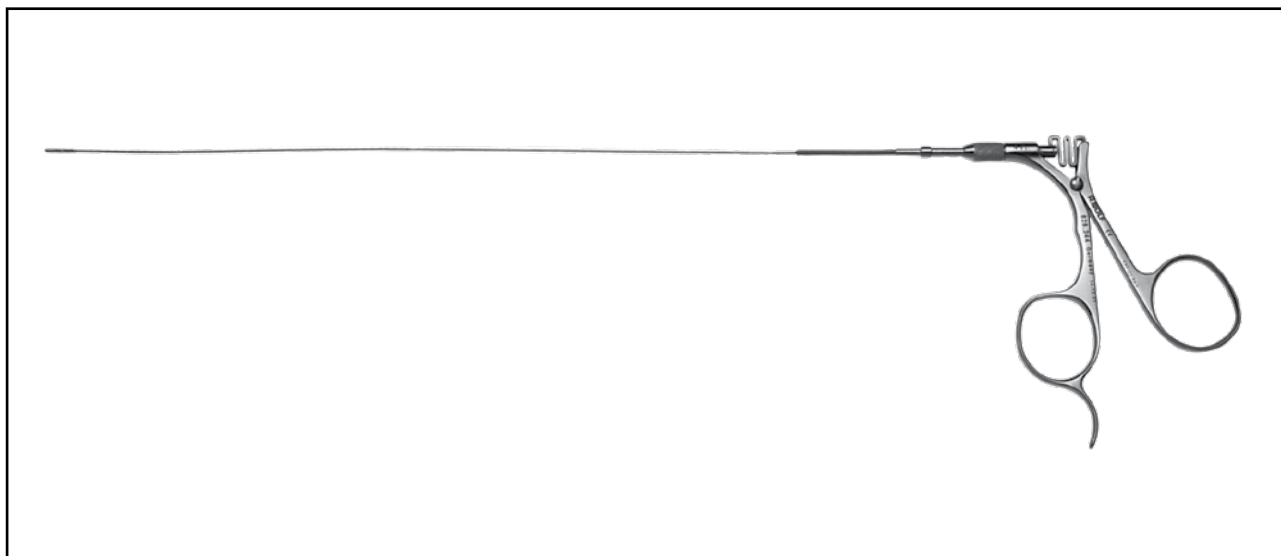
Optical forceps *E-line*  
for cysto-urethroscope 8672




	for sheath	Types
<p><b>Biopsy forceps</b></p> 	14 Fr.	<b>8672.604</b>
<p><b>Foreign body forceps</b></p> 	14 Fr.	<b>8672.654</b>

SMALL CALIBER

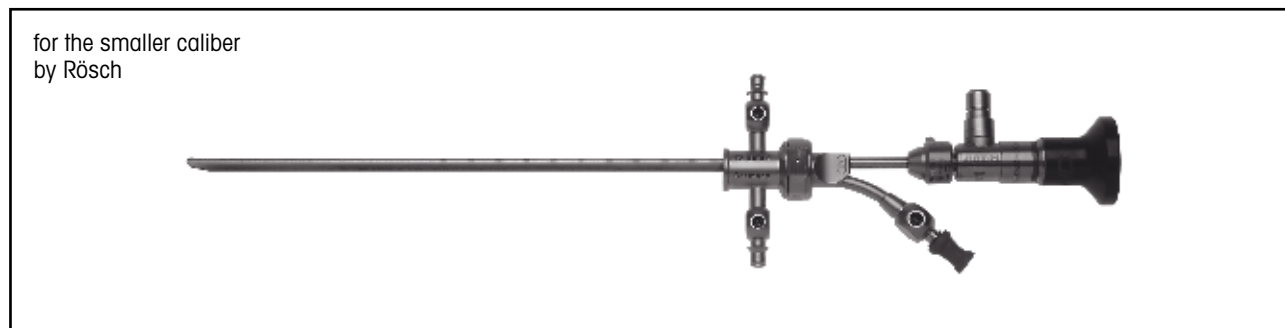
Flexible grasping forceps *E-line*  
for cysto-urethroscopes 8672 and 8680





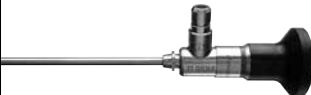
	Fr.	WL	Type
<p><b>Flexible grasping forceps with overload protection</b></p> 	4	230 mm	<b>828.244</b>

## MIDI-size

### Cysto urethroscope



Cysto-Urethroscope Sheath						Adapters
consisting of: Cysto-Urethroscope sheath, obturator and luer-lock fitting (886.00)						
<b>86720251</b>	<b>86720255</b>	<b>86720257</b>	12.5	green	5 Fr.	<b>8672265</b>
<b>86720451</b>	<b>86720455</b>	<b>86720457</b>	14.5	white	7 Fr.	

Ø	Viewing direction	Type	PANOVIEW telescope, distortion-free			
2.7 mm	30°	<b>8672432</b>				



Accessories:

**Fiber light cable set**, Ø 2.5 mm, 3.0 m long ..... **806625301**




Consisting of:

Fiber light cable (80662530), adapter projector side (8095.07) and adapter endoscope side (809509)

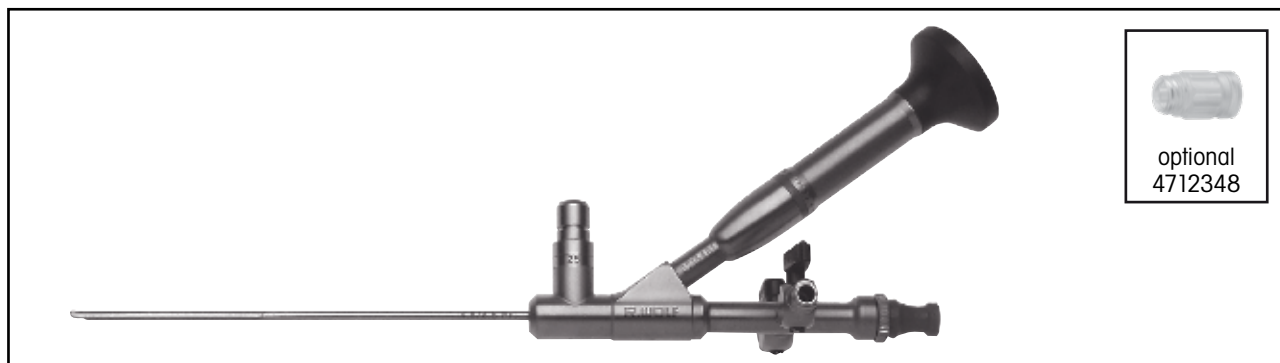
SMALL CALIBER

HF connecting cable see page 51.


## Accessory instruments

		WL	Fr.	Types
	<b>Flexible biopsy forceps</b>	315 mm	5	<b>829.05</b>
		375 mm	7	<b>829.07</b>
	<b>Flexible foreign body forceps</b>	315 mm	5	<b>828.05</b>
		365 mm	7	<b>828.07</b>
	<b>Flexible scissors with indented edge</b>	375 mm	7	<b>830.07</b>

## Miniature cysto-urethroscope, 4.5 / 6.5 Fr.



- ❑ Can be passed through the urethra without causing injury
- ❑ The use of traumatizing bougies to permit cysto-urethroscopy and urethrotomy is no longer necessary
- ❑ Excellent miniature fiber telescope, 5° viewing direction
- ❑ Efficient irrigation through the oval irrigation and instrument channel
- ❑ For accessory instruments up to 3 Fr.

	Viewing direction	Working channel	WL	Types
<b>Miniature-Cysto-Urethroscope Set 4.5 / 6.5 Fr.</b> consisting of: Miniature-cysto-urethroscope (8715.401), membrane valve (pack of 10), membrane retainer, (15256.393) and rubber cap "RIWO", orange (15220005)	5°	3.3 Fr.	120 mm	<b>87154012</b>
<b>Hook Electrode, 2.4 Fr.</b>			255 mm	<b>824.03</b>
<b>Flexible foreign body forceps</b>			230 mm	<b>828.03</b>
<b>Biopsy forceps</b>			230 mm	<b>829.03</b>
also: <b>Sterile universal sealing valve</b> , (pack of 5), for the insertion of accessory instruments from 1 – 6 Fr.				<b>4712348</b>

Accessories:

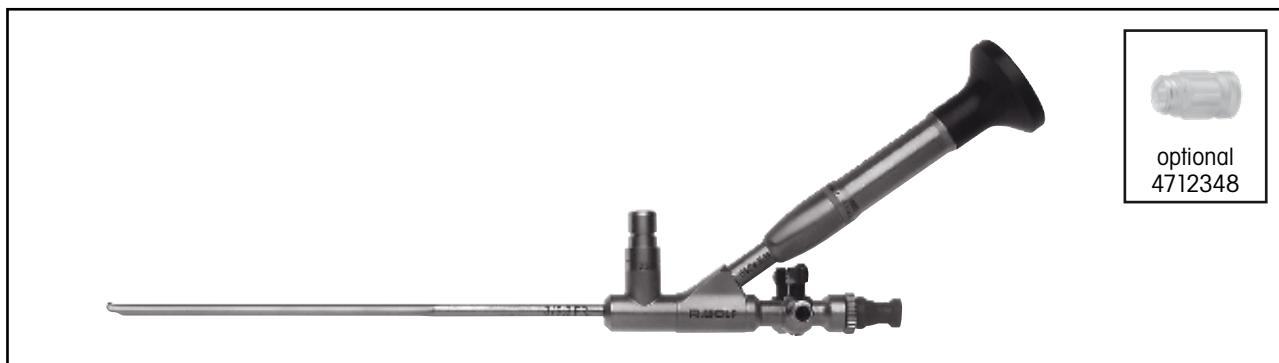
**Fiber light cable set**, Ø 2.5 mm, 3.0 m long ..... **806625301**

Consisting of:




Fiber light cable (80662530), adapter projector side (8095.07) and adapter endoscope side (809509)

SMALL CALIBER

## Operating cysto-urethroscope, 8 / 9.8 Fr. for reflux therapy

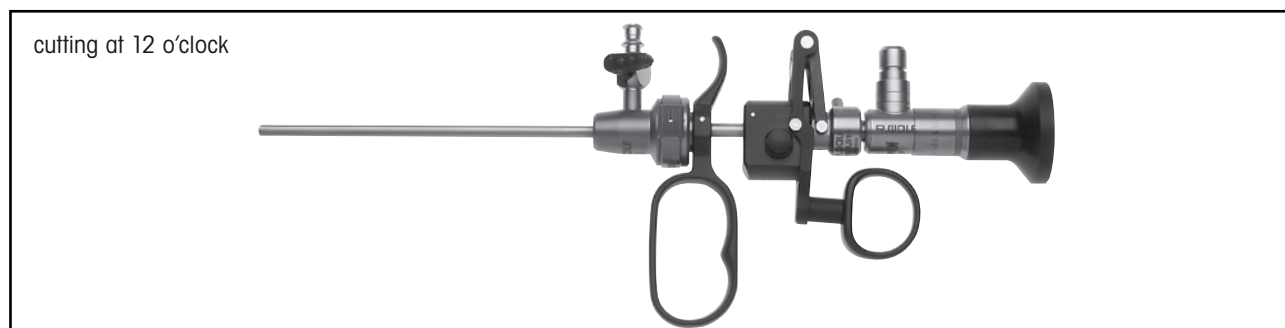





- ❑ Atraumatically shaped distal tip
- ❑ Excellent view with the PANOVIEW PLUS telescope
- ❑ High irrigation flow
- ❑ 5 Fr. irrigation and probe channel for flexible and rigid accessory instruments



	Viewing direction	Working channel	WL	Types
<b>Compact universal operating Cysto-Urethroscope Set</b> 8 / 9.8 Fr.	12°	5 Fr.	150 mm	<b>8626.531</b>
<b>Rigid grasping forceps "Erlangen"</b> , 5 Fr. for removing stents			260 mm	<b>8626.65</b>
<b>Coagulating button electrode</b> , 5 Fr.			400 mm	<b>823.05</b>
also: <b>Sterile universal sealing valve</b> , (pack of 5), for the insertion of accessory instruments from 1 – 6 Fr.				<b>4712348</b>

SMALL CALIBER

# Optical urethrotome *E-line* for telescope 1.9 mm



Sheath, with fixed irrigation tap and obturator				Adapter for examination and probing	Working element
					
	Fr.	Color code	Capacity (Fr.)	<b>1 Instrument port</b>	
<b>8693.0141</b>	8.5	red	3	<b>8688.264</b>	<b>8693.914</b>




Ø	Viewing direction	Types	PANOVIEW telescopes
1.9 mm	0°	<b>8686.414</b>	 

Accessories:

**Fiber light cable set**, Ø 2.5 mm, 3.0 m long ..... **806625301**

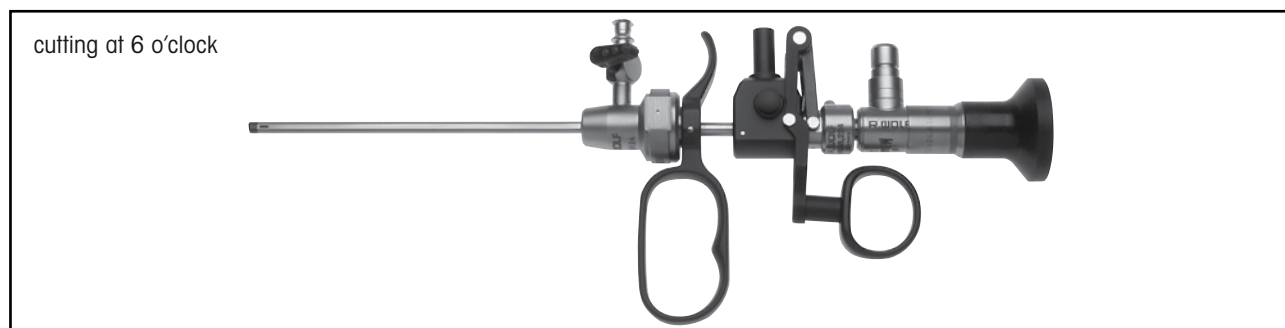
Consisting of:


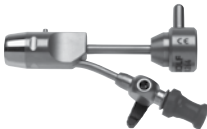

Fiber light cable (80662530), adapter projector side (8095.07) and adapter endoscope side (809509)



Stricture scalpels	Blade	Type
	ceramic / half moon	<b>8693.961</b>
	sickle-shaped	<b>8693.93</b>
	hook-shaped	<b>8688.94</b>

SMALL CALIBER

# Resectoscope *E-line* for telescope 1.9 mm



Sheath, with fixed irrigation tap and obturator, distal insulated				Adapter for examination and probing	Working element passive cutting action
					
	Fr.	Color code	Capacity (Fr.)	1 Instrument port	
8688.0141	9	white	3	8688.264	
				8688.224	

Ø	Viewing direction	Type	PANOVIEW telescopes, distortion-free
1.9 mm	0°	8686.414	 

Accessories:

**Fiber light cable set**, Ø 2.5 mm, 3.0 m long ..... **806625301**

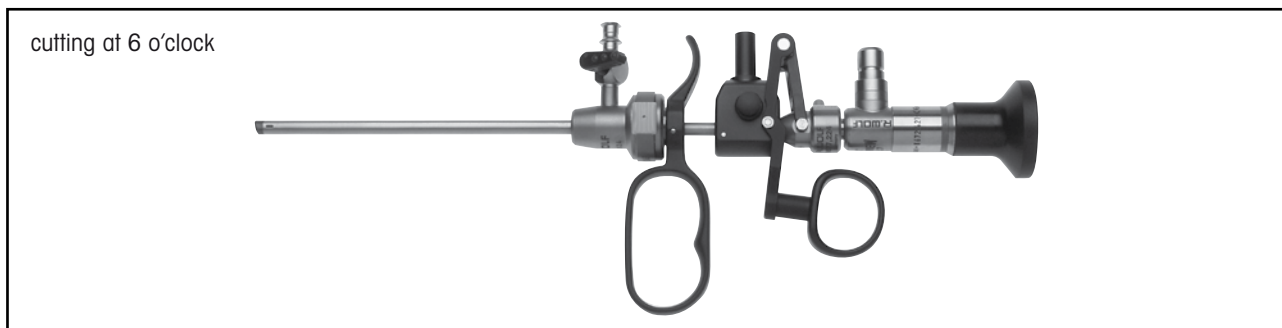
Consisting of:




Fiber light cable (80662530), adapter projector side (8095.07) and adapter endoscope side (809509)



Electrodes and stricture scalpels see page 112.

HF connecting cable see page 51.

Resectoscope *E-line*  
for telescope 2.7 mm



Sheath, with fixed irrigation tap and obturator, distal insulated			Adapter for examination (without tap)	Working element passive cutting action
				
	Fr.	Color code		
<b>8677.0141</b>	11.5	yellow	<b>8677.254</b>	<b>8677.224</b>

Ø	Viewing direction	Type	PANOVIEW telescope
2.7 mm	0°	<b>8672.421</b>	 

Accessories:

**Fiber light cable set**, Ø 2.5 mm, 3.0 m long ..... **806625301**

Consisting of:





Fiber light cable (80662530), adapter projector side (8095.07) and adapter endoscope side (809509)

SMALL CALIBER




Electrodes and stricture scalpels see page 112.

HF connecting cable see page 51.

## Electrodes and stricture scalpels for resectoscope with telescope 2.7 mm and 1.9 mm

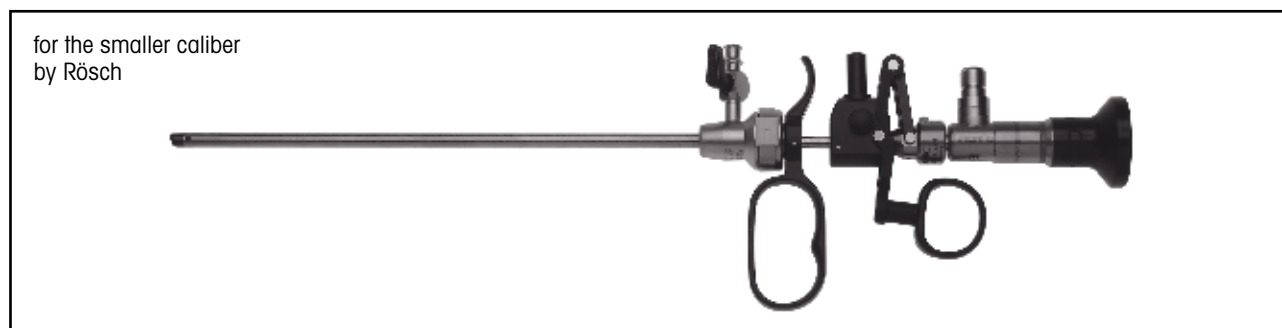
Electrodes		for resectoscope with telescope	
		1.9 mm	2.7 mm
	Cutting electrode	<b>8688.93</b>	<b>8416.03</b>
	Coagulating electrode	<b>8688.91</b>	<b>8416.01</b>
	Hook electrode	<b>8688.95</b>	<b>8416.09</b>
	Coagulating electrode angled 90° retrograde, sickle-shaped with distal ball	<b>8688.994</b>	



  

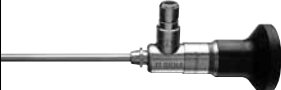

Stricture scalpels, for the cold cutting of urethral strictures		for resectoscope with telescope	
		1.9 mm	2.7 mm
	ceramic / half moon	<b>8693.961</b>	<b>8677.961</b>
	hook-shaped "Erlangen"	<b>8688.94</b>	
	sickle-shaped	<b>8693.93</b>	

SMALL CALIBER

## MIDI-size Resectoscope



Resectoscope Sheath Set					
consisting of: <b>Resectoscope sheath</b> , obturator and luer-lock fitting (886.00)					
	Fr.	Color code	Sheath single	Obturator single	Working element "E-line", passive cutting
<b>86770151</b>	14.5	white	86770155	86770157	<b>8677.224</b>

Ø	Viewing direction	Type	PANOVIEW telescope, distortion-free
2.7 mm	0°	<b>8672430</b>	 

Accessories:

**Fiber light cable set**, Ø 2.5 mm, 3.0 m long ..... **806625301**


Consisting of:




Fiber light cable (80662530), adapter projector side (8095.07) and adapter endoscope side (809509)

SMALL CALIBER

HF connecting cable see page 51.

## Accessory instruments

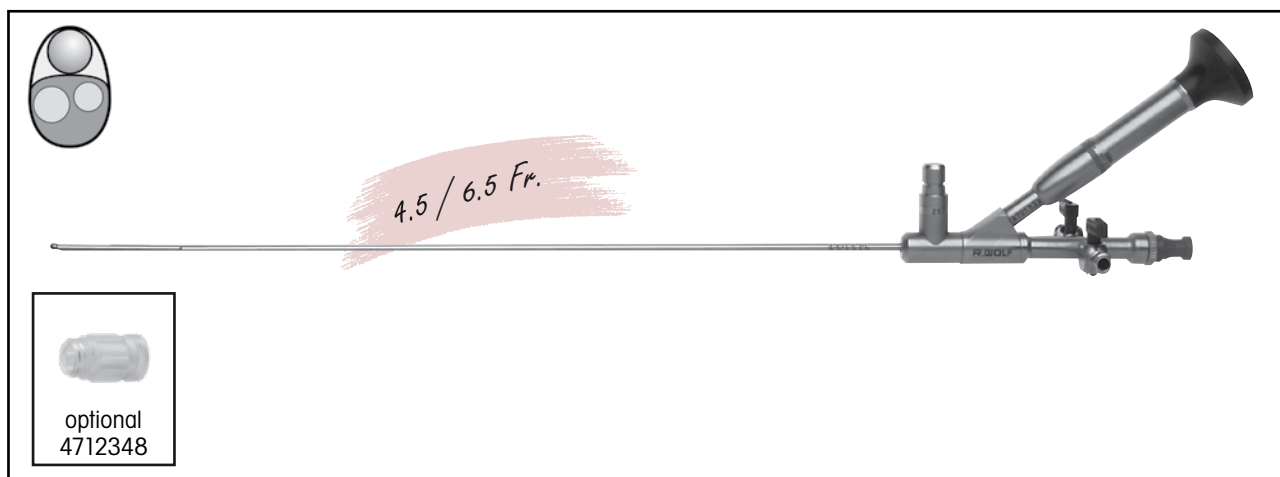
Stricture scalpels	Blade	Types
	lancet blade cutting edge on both sides	<b>8677981</b>

Electrodes		Types
	Coagulating electrode	<b>8416011</b>
	Cutting electrode	<b>8416031</b>
	Hook electrode	<b>8416091</b>

*E-line*

## Fiber ureterorenoscope

with lateral eyepiece



- ❑ Stone therapy with laser fiber Ø 200/272 µm.
- ❑ Particularly suitable for primary URS without prior placement of a double J catheter
- ❑ Excellent view thanks to the latest image guide technology and optimum irrigation flow

Fiber ureterorenoscope with oval irrigation and instrument channel, including automatic valve for inserting instrument	Working length	Total length	Telescope	Fr.	Irrigation and instrument channel Fr.	for accessory instruments Fr.	Type
<b>Fiber ureterorenoscope</b>	430 mm	570 mm	5°	4.5 / 6.5	3.15 x 3.15	1 x 3	<b>8701.534</b>

Accessories:

<b>Foreign body forceps</b> , flexible, 3 Fr., with alligator jaws, WL 530 mm .....	<b>828.605</b>
<b>Biopsy forceps, flexible</b> , 3 Fr., WL 530 mm .....	<b>829.603</b>
<b>Handle</b> .....	<b>8702.261</b>
<b>Sterile universal sealing valve</b> .....	<b>4712348</b>
<b>Membrane seal</b> (pack of 10) .....	<b>89.101</b>
<b>Membrane retainer</b> , standard .....	<b>15256.393</b>
<b>Membrane retainer</b> with Luer .....	<b>15256.456</b>

Accessory instruments see page 64.

## Thermedx® FluidSmart® fluid management system

- ❑ Non-pulsatile flow
  - Provides clear visualization during procedure
- ❑ Adjustable pressure settings
  - Help control distension and bleeding in the surgical cavity
- ❑ Fluid deficit monitoring (deficit alarm up to 2,500 ml)
  - Real-time monitoring and display of fluid deficit
  - Configurable deficit alarms
  - auto shut-off at 2,500 ml
- ❑ Enhanced safety features
  - Adjustable alarms for perforation, deficit, and pressure
  - Over pressure mechanical relief valve integrated into tubing set
- ❑ Convenient operation
  - Fluid bags and canisters can be changed without interrupting surgical procedure
  - Ability to print procedural data
  - Capacity to hold two 1-5 liter bags
- ❑ Flow rate
  - Automatic flow rate adjustment provides constant pressure for even distension
- ❑ Touch screen setup and menu
  - Convenient view of real-time deficit value and procedural data



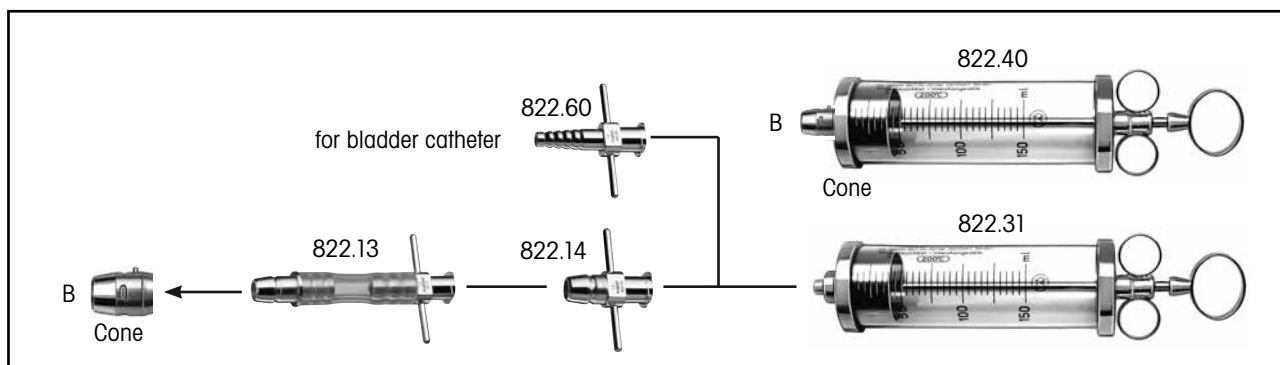
FLUID MANAGEMENT


**Thermedx® FluidSmart® Fluid Management System** ..... P2000

Accessories:


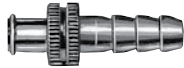

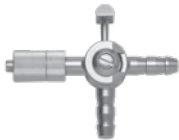

<b>Luer lock tube set</b> , single lumen, 10/bx, single use only .....	LL0002
<b>Tubing set</b> , single lumen, inflow with dual outflow, 5/bx, single use only .....	LL0004
<b>Urology tubing set</b> , 10/bx, single use only .....	LL0006
<b>Thermedx® thermal paper refills</b> , 58 mm x 10 m, 10/bx .....	00835
<b>Bemis suction fluid canisters</b> , 3000 mL (cc), 36/bx, single use only .....	2215.972
<b>Hysteroscopy pack</b> , 10/bx, single use only .....	4974.0010
<b>Compact hysteroscopy pack</b> , 10/bx, single use only .....	4975.0010
<b>Replacement power cord</b> .....	N710251

## Bladder syringe and evacuator

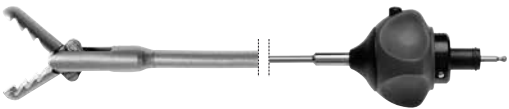









	Connection cone	mL	Spare barrel	Types
<b>Bladder syringe</b>	For flexible or rigid adapters	150	82295	<b>822.31</b>
<b>Flexible connector</b>	B			<b>822.13</b>
<b>Rigid connector</b>	B			<b>822.14</b>
<b>Rigid adapter for bladder syringe</b>				<b>822.60</b>
<b>Bladder syringe</b>	B	150	82295	<b>822.40</b>
<b>Adapter for Toomey syringes, with cone</b>	B			<b>845.11</b>
<b>Adapter for attaching the evacuator, with cone</b> 				<b>8558.14</b>

## Luer lock connector, stopcocks and irrigation adapter

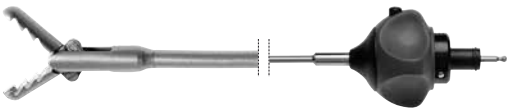




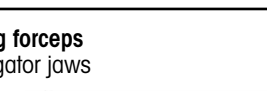

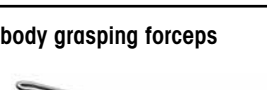

	Inner channel	female	male
<b>Luer lock connector</b> 	Ø 3 mm		<b>886.00</b>
	Ø 4 mm		<b>886.01</b>
<b>Luer lock connector</b> 	Ø 3 mm	<b>891.00</b>	
	Ø 4 mm	<b>15023.041</b>	
<b>Stopcock with Luer lock connector</b> 	Ø 3 mm		<b>884.00</b>
	Ø 4 mm		<b>884.01</b>
<b>Two-way tap with Luer lock connector</b> 	Ø 3 mm		<b>883.00</b>
	Ø 4 mm		<b>883.01</b>
<b>Two-way tap with Luer lock connector, for irrigation inlet from left</b> 	Ø 4 mm		<b>883.12</b>

Rigid accessory instruments  
micro modular system **HySafe**  
360° rotatable, flushable, easy click

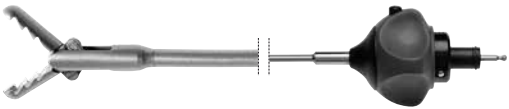







Insert with sheath					Handle with overload protection 	<b>Complete Instrument</b> • Insert with sheath • Handle  <b>Types</b>
	Recommended fields of application	Types	Fr.	WL		
<b>Grasping forceps with alligator jaws</b> 	Cystoscopy	8642.6508	5	340	8083.001	8642.6502
<b>Biopsy forceps, spoon</b> 		8645.6508	7	325		8645.6502
<b>Biopsy forceps</b> 		8642.6008	5	340		8642.6002
<b>Biopsy punch</b> 		8645.6008	7	325		8645.6002
<b>Micro scissors</b> 		8642.6318	5	340		8642.6312
<b>Hooked scissors</b> 		8642.6818	5	340		8642.6812
		8992.6408*	7	310		8992.6402*

\* on request

Rigid accessory instruments  
micro modular system **HySafe**  
360° rotatable, flushable, easy click





<p>Insert with sheath</p> 					<p>Handle with overload protection</p> 	<p><b>Complete Instrument</b></p> <ul style="list-style-type: none"> <li>• Insert with sheath</li> <li>• Handle</li> </ul> <p><b>Types</b></p>
	<p>Recommended fields of application</p>	<p>Types</p>	<p>Fr.</p>	<p>WL</p>		
<p><b>Biopsy forceps</b></p> 	<p>Ureterorenoscopy</p>	<p><b>8952.6008</b></p>	<p>5</p>	<p>550</p>	<p><b>8083.001</b></p>	<p><b>8952.6002</b></p>
<p><b>Grasping forceps with mouse jaws</b></p> 		<p><b>8959.6118</b></p>	<p>4</p>	<p>425</p>		<p><b>8959.6112</b></p>
<p><b>Grasping forceps with alligator jaws</b></p> 		<p><b>8952.6118</b></p>	<p>4</p>	<p>550</p>		<p><b>8952.6112</b></p>
<p><b>Grasping forceps with alligator jaws</b></p> 		<p><b>8959.6218</b></p>	<p>5</p>	<p>425</p>		<p><b>8959.6212</b></p>
<p><b>Grasping forceps with alligator jaws</b></p> 		<p><b>8952.6218</b></p>	<p>5</p>	<p>550</p>		<p><b>8952.6212</b></p>
<p><b>Grasping forceps with alligator jaws</b></p> 		<p><b>8959.6808</b></p>	<p>5</p>	<p>425</p>		<p><b>8959.6802</b></p>
<p><b>Foreign body grasping forceps</b></p> 		<p><b>8954.6808</b></p>	<p>5</p>	<p>550</p>		<p><b>8954.6802</b></p>
		<p><b>8952.6508</b></p>	<p>5</p>	<p>550</p>		<p><b>8952.6502</b></p>
		<p><b>8952.6608</b></p>	<p>5</p>	<p>550</p>		<p><b>8952.6602</b></p>

Rigid accessory instruments  
micro modular system **HySafe**  
360° rotatable, flushable, easy click









Insert with sheath					 Handle with overload protection	<b>Complete Instrument</b> • Insert with sheath • Handle  Types
	Recommended fields of application	Types	Fr.	WL		
<b>Stone grasping forceps</b> with alligator jaws 	Nephroscopy	8962.6008	10.5	350	8083.001	8962.6002
		8962.6048	12	340		8962.6042
<b>Stone grasping forceps</b> angled distal tip, with alligator jaws 		8962.6028	9	355		8962.6022
<b>Grasping forceps</b> with alligator jaws 		8962.6108	10.5	350		8962.6102
<b>Stone grasping forceps</b> with finely serrated jaws, peanut shape 		8962.6078	12	340		8962.6072
<b>Stone grasping forceps</b> 	8962.6058	12	340	8962.6052		
<b>Grasping forceps</b> with alligator jaws 	Miniature nephroscopy	8642.6508	5	340		8642.6502

ACCESSORIES





## Rigid forceps and scissors

		Fields of application	Working Length	Fr.	Type
	<b>Grasping forceps</b> model "Erlangen"	Operating urethro- cystoscopy	255 mm	5	<b>8626.65</b>
	<b>Stone grasping forceps</b> with serrated jaws	Intra-renal stone surgery	275 mm	8	<b>8280.22</b>
	<b>Stone grasping forceps</b> with sharp jaws	Intra-renal stone surgery	275 mm	6	<b>8280.23</b>
	<b>Microscissors</b>	Intra-renal stone surgery	235 mm	8	<b>8283.21</b>



## Flexible forceps and scissors

		Fields of application	Working length	Fr.	Type
	<b>Biopsy forceps</b>	Cystoscopy	230 mm	3	<b>829.03</b>
			315 mm	5	<b>829.05</b>
			375 mm	7	<b>829.07</b>
			325 mm	10	<b>829.10</b>
	<b>Biopsy forceps</b>	Ureterorenoscopy, nephroscopy	550 mm	5	<b>829.051</b>
	<b>Biopsy forceps</b>	Ureterorenoscopy	530 mm	3	<b>829.603</b>
			920 mm	3	<b>829.601</b>
	<b>Biopsy forceps</b>	Ureterorenoscopy	550 mm	3.5	<b>8953.60</b>
	<b>Foreign body forceps</b>	Cystoscopy	230 mm	3	<b>829.03</b>
			315 mm	5	<b>828.05</b>
			365 mm	7	<b>828.07</b>
			325 mm	10	<b>828.10</b>
	<b>Foreign body forceps</b>	Ureterorenoscopy, nephroscopy	315 mm	5	<b>829.05</b>
			375 mm	7	<b>829.07</b>
	<b>Foreign body forceps</b>	Ureterorenoscopy	325 mm	10	<b>829.10</b>
	<b>Foreign body forceps</b>	Ureterorenoscopy	415 mm	3.5	<b>8953.65</b>

## Flexible forceps and scissors

		Fields of application	Working Length	Fr.	Type
	<b>Foreign body forceps</b>	Ureterorenoscopy	545 mm	5	<b>8950.66</b>
	<b>Scissors, wave shaped</b>	Cystoscopy	375 mm	7	<b>830.07</b>
	<b>Scissors, retrograde cutting action</b>	Ureterorenoscopy	255 mm	5	<b>8950.28</b>
	<b>Mouse-tooth grasping forceps</b>	Cystoscopy	550 mm	5	<b>8735.685</b>
			550 mm	6.5	<b>8736.685</b>

## Injection cannulas and electrodes

		Fields of application	Working Length	Fr.	Type
	<b>Coagulation electrode, flexible</b>	Ureterorenoscopy	600 mm	5	<b>8599.80</b>
	<b>Button electrode, flexible unipolar</b>	Cystoscopy	400 mm	4	<b>823.04</b>
				5	<b>823.05</b>
				6	<b>823.06</b>
				10	<b>823.10</b>
		Ureterorenoscopy	580 mm	3	<b>823.031</b>

