

Superior 17 × 17-inch Cassette-size Flat Panel Detector

Mars 1717V

- Wireless cassette detector per ISO 4090, fits in bucky
- 139 μm pixel pitch, with 16 bit ADC for more image details
- Stable iSync+ Automatic Exposure Detection (AED)

| Dual band (2.4 and 5 GHz) wireless support
with easy sharing |

| Long battery life and smart workflow |

| Direct deposition CsI for better image quality
with lower dose |

Mars 1717V is a smart 17×17-inch wireless, cassette-sized FPD for radiographic imaging. It features reliable AED, dependable wireless performance, and a long battery life. The Mars 1717V supports a fast work flow, and is the optimal choice for both retrofit and new DR system solutions.

IMAGING THE FUTURE

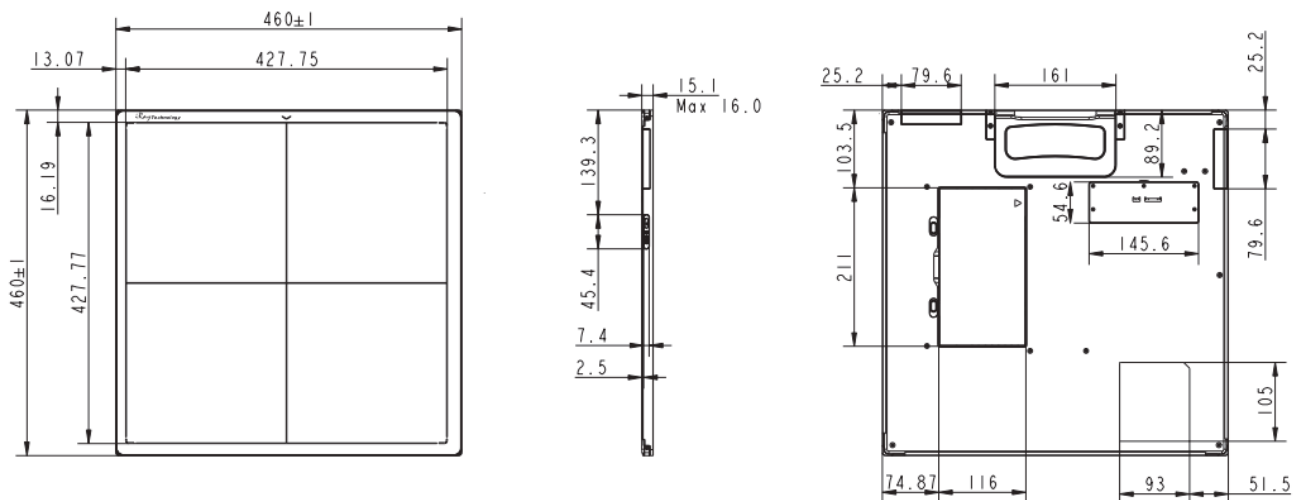
Technical Specifications

Mars 1717V

| | |
|---|------------------------------------|
| Detector Technology | Amorphous Silicon |
| Scintillator | CsI |
| Active Area (inch) | 17 × 17 |
| Pixel Matrix | 3072 × 3072 |
| Pixel Pitch (μm) | 139 |
| Spatial Resolution (lp/mm) | 3.6 |
| AD Conversion (bit) | 16 |
| Battery Autonomy (h) | 8 |
| WIFI | 2.4G and 5G, IEEE802.11 a/b/g/n/ac |
| Trigger Mode | AED (Optional) / Software |
| Full Image Time (s) | 5 |
| Dimensions (mm ³) | 460 × 460 × 15 |
| Weight (kg) | 4.3 |
| Static Loading | 150kg Uniformly |
| Ingress Protection | IPX1 |
| Operating Temperature (°C) | 5 ~ 35 |
| Storage & Transport Temperature with Package (°C) | -20 ~ 55 |
| Operating Humidity (% RH) | 10 ~ 90 (Non-Condensing) |
| Storage & Transport Humidity with Package (% RH) | 5 ~ 95 (Non-Condensing) |

Dimensions

Unit : mm



www.iraygroup.com

Manufactured by iRay Technology specifications subject to change without notice.
Copyright © 2019 iRay Technology, All Rights Reserved.

CHINA

iRay Technology Company Limited

Building 45, No.1000, Jinhai Road, Pudong
New Area, Shanghai, China 201206

Tel: +86-21-5072 0560

Fax: +86-21-5072 0561

Email: market@iraygroup.com

iRay Technology Taicang Ltd.

No.33, Xinggang Road, Taicang Port
Economic and Techn. Devel.
Zone, Taicang City, Jiangsu Prov-
ince, China 215400

KOREA

iRay Korea Limited

1820, 18F, 5, Gasan digital
1-ro, Geumcheon-gu, Seoul,
Republic of Korea 08594

Tel: +82-2-6335-6333

Fax: +82-2-6335-6334

Email: market@iraykorea.com

EUROPE

iRay Europe GmbH

In den Dorfwiesen 14
71720 Oberstenfeld, Germany

Tel: +49-7062-977 8800

Fax: +49-7062-976 0571

Email: sales@irayeurope.com

