

# AUTO-REF-KERATOMETER RC-800

ELECTRONIC-CONTROLLED

## DELIGHT IN SIGHT

Fast. High Quality.  
Affordable.



- Central K-values
- Pupil + cornea  $\varnothing$  measurement
- Colour touch screen
- High accuracy
- Auto measurement
- High speed printer

 **TOMEY**  
TECHNOLOGY AND VISION

# THE TOMEY AUTO-REF-KERATOMETER RC-800



## QUALITY IN DETAIL

The Tomey Refractor-Keratometers are an integral part of modern eye diagnostic. Highly accurate measurements combined with the very short examination time and easy handling makes working with the TOMEY RC-800 professional and quick. You can operate and align the RC-800 through the combination of joystick and touch screen – all this in a very short time.

### Colour touch screen

The 5.7" colour touch screen is used as operating monitor as well as for displaying all measured values. All commands can be done via touch screen.

### Pupil + cornea Ø measurement

Once you have captured your patients' eye, you can set the pupil and cornea measurement bars to individual diameters. These values will also be stored, displayed and printed.

### Auto measurement

The handling of the RC-800 is very easy. By aligning the optical head towards the patients' eye, the measurement is automatically taken over by the instrument itself.

### Central K-values

The RC-800 provides you with the measured central (Ø 3 mm) Keratometer readings within a second. You can take these readings from a cornea or the back surfaces of a RGP contact lens.



Auto measurement



Pupil & cornea measurement

## SPECIFICATIONS

### REFRACTIVE POWER MEASUREMENT

#### Spherical refractive power (S)

Measurement range -25.00 D to +22.00 D (at VD = 12.0 mm)

Display unit 0.01 D / 0.12 D / 0.25 D

#### Cylindrical refractive power (C)

Measurement range 0 D to ±10.00 D (at VD = 12.0 mm)

Display unit 0.01 D / 0.12 D / 0.25 D

#### Astigmatism axial (A)

Measurement range 0° to 180°

Display unit 1°

### CORNEAL CURVATURE MEASUREMENT (K1, K2, AVG)

Measurement range 5.00 mm to 11.00 mm / 30.68 D to 67.50 D (n=1.3375)

Display unit 0.01 mm

### CORNEAL ASTIGMATISM AND AXIS (C, A)

Measurement range (C) 0 D to 10 D (n=1.3375)

Measurement range (A) 0° to 180°

Measurement area cornea Ø 3.0 mm (at 8.00 mm corneal curvature)

PD range 50 mm to 86 mm

Minimum pupil diameter Ø 2.0 mm

Vertex distance 0 mm - 16.0 mm

### MAIN UNIT

Built-in printer Thermal printer

Output RS 232 C

Display 5.7" colour LCD display

Chin rest electr. controlled

### DIMENSIONS & ELECTRIC REQUIREMENTS

Dimensions WDH 297 x 500 x 448 mm

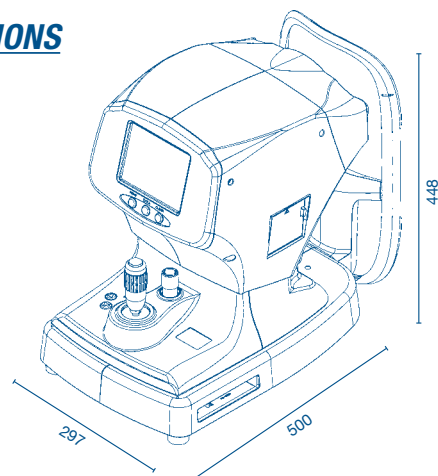
Weight Approx. 17.0 kg

Voltage 100 VAC to 240 VAC

Frequency 50/60 Hz

Power consumption 80 VA to 100 VA

## DIMENSIONS



~17 kg



**TOMEY EUROPE**  
TOMEY GmbH  
Wiesbadener Straße 21  
90427 Nürnberg, Germany  
Phone +49 911 938 546 2 0  
Fax +49 911 938 546 2 20  
Email info@tomey.de

**TOMEY ASIA-PACIFIC**  
TOMEY CORPORATION JAPAN  
2-11-33 Noritakeshinmachi  
Nishi-ku, Nagoya 451-0051, Japan  
Phone +81 52 581 5327  
Fax +81 52 561 4735  
Email intl@tomey.co.jp

**TOMEY**  
TECHNOLOGY AND VISION

www.tomey.de