

QA4™

Mobile Surgery System

The complete multi-purpose solution for transport, treatment and recovery



Innovative **Medical** Technology - **Practically Applied**


AnestheticAid®

QA4 MOBILE SURGERY SYSTEM

Whether for Day / Ambulatory Surgery or Mainstream Theatre, the QA4 is the perfect combination of transport trolley and operating table.



TRANSPORT TREATMENT RECOVERY



Moving and Handling

Zero transfers mean risk is minimised for patient and practitioner alike: from the ward, through anaesthetics, to the surgical procedure, and finally to first and second recovery

Infection Control

A single platform for the entire patient journey, combined with easy-to-clean materials with a range of antibacterial and microbial properties, reduces the chance of cross infection



Combining industry knowledge with innovative technology



Designed and produced at our UK manufacturing facility using the latest engineering techniques



Manufacturer, designer and supplier of high quality medical equipment around the world



Unique manufacturer-backed Lifetime Warranty Scheme

STANDARD FEATURES

The QA4 Mobile Surgery System is both patient trolley and operating table: a total solution for modern day treatment centres and regular theatres alike.

Removable articulating headrest

Easily swapped for specialist versions such as the ophthalmics headrest



Removable rotating side rails

Providing safety for transport, but removable for maximum surgical access

Press on / Press off 5th wheel steer

Unique mechanism ensures maximum manoeuvrability and easily guided by one person



Infection control

Smooth moulded surfaces and acrylic capped vac formings enclose trolley mechanics to minimise dirt traps. Anti-bacterial properties and innovative design for easy cleaning



Removable adjustable height transfusion / infusion stand

Innovative quick release safety locking mechanism



K8 pressure care mattress

Manufactured from temperature-sensitive gel feel foam that moulds to the patient's body shape, relieving pressure by distributing the load as evenly as possible. Outer material is anti-microbial, water resistant, vapour permeable and latex free



Removable light weight leg section

Offering maximum surgical access for gynae and urology procedures



O₂ Cylinder trough

Side loading for ease of access, suitable for wide range of cylinder options including E or CD

Simultaneous braking low rolling resistance twin wheel castors

Polyurethane tyres offer low rolling resistance for high manoeuvrability: 150mm castors fitted as standard

A unique combination of manoeuvrability and stability



POWERED FEATURES

Top of the range, the QA4 Powered Mobile Surgery System is ideal for many surgical procedures.

With five remotely-activated powered functions – raise and lower, back rest, traversing top, lateral tilt and Trendelenburg – the trolley offers full 'C' arm coverage and superior surgical access. It also offers exceptional stability with a patient weight capacity of 250kg.

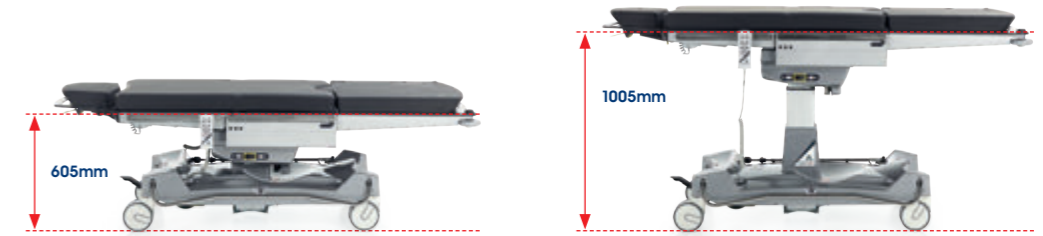


Removable remote handset



PATIENT WEIGHT CAPACITY

Patient platform height raise and lower



Trendelenburg 20° / Reverse Trendelenburg 12°



Backrest 0 to 65°



Head-end / Foot-end Traversing platform



Lateral tilt + - 12°



SPECIFICATIONS		Code: 21300	
Minimum height	*605mm	Mattress width	600mm
Maximum height	*1005mm	Mattress depth	75mm
Overall length	2100mm	Trendelenburg	20°
Overall width	800mm	Reverse Trendelenburg	12°
Castor diameter	150mm	Lateral tilt	±12°
Weight	160kg	Backrest articulation	0 to 65°
Mattress length	2040mm	Headrest articulation	+25 / -30°

*NOTE: Measurement from floor to platform top excluding mattress



DESIGN & INNOVATION



MADE IN THE UK



GLOBAL DISTRIBUTION

Effortless positioning at the touch of a button

QA4 MOBILE SURGERY SYSTEM

The versatility and superior surgical access of the QA4 Mobile Surgery System make it ideal for a wide range of procedures including general surgery, gynaecology, urology, endoscopy, ophthalmics, dental and ENT.

Ophthalmology



ENT



Standard articulating head section or ergonomically designed dual-articulating head section for movement in three different planes

Head and Neck / OMFS



Breast surgery

Can be fitted with Reison arm supports for superior positioning and stability



SURGICAL VERSATILITY

General surgery

Variable height, Trendelenburg and Reverse Trendelenburg positioning, PLUS lateral tilt makes the QA4 Powered model ideal for laparoscopic procedures such as cholecystectomy (gall bladder removal)



Gynaecology



Urology



Unprecedented surgical access for Urologists plus dedicated Perineal Instrument Tray accessory

Vascular

Optional leg abduction supports for varicose vein procedures



Supports a wide range of surgical specialisms



DESIGN & INNOVATION



MADE IN THE UK



GLOBAL DISTRIBUTION

QA4 MOBILE SURGERY SYSTEM

SURGICAL VERSATILITY

Mobile Surgery Systems are increasingly being used for a wide range of orthopaedic procedures: the QA4 can be fitted with a variety of attachments including arm tables, lateral and pelvic supports as well as specialist attachments for knee and shoulder arthroscopy.



Attachments are available for lateral, supine and prone positioning

Knee arthroscopy or procedures

Standard leg section removed making way for specialist leg supports such as the Knee Stabiliser, available in our Operating Table Accessory range



C-arm

The QA4's platform traverses to both head and foot ends, providing comprehensive C-arm access and we also offer a Retrograde Extension accessory for ERCP retrograde tomography



Shoulder arthroscopy or procedures

Complete surgical access with shoulder suspension system – or specialist shoulder attachment with back support and headpiece to secure the patient's airway



Specialist attachments for orthopaedic surgeries



DESIGN & INNOVATION



MADE IN THE UK



GLOBAL DISTRIBUTION

QA4 MOBILE SURGERY SYSTEM

BUILD OPTIONS



Side Bar

Description	Code
Side Bar - EU - 25 x 10mm	22315



Headrest Full Width

Description	Code
Headrest - Full Width Articulating - with K8 Pressure Care Mattress	22322
Headrest - Full Width Articulating - with UK Side Bar and K8 Pressure Care Mattress	22330
Headrest - Full Width Articulating - with EU Side Bar and K8 Pressure Care Mattress	22331



Headrest - Dual-articulating

Description	Code
Headrest - Dual-articulating Head Positioner - with Shaped Cushion and Neck Plate Pad	22325

Department Identification



Description	Code
Department Identification - Vinyl Transfer Lettering	21175

Oxygen Cylinder Bracket



Description	Code
Oxygen Cylinder Bracket - for CD Sized Cylinder	21393

Paper Roll Holder



Description	Code
Paper Roll Holder (up to 620mm wide) *Not suitable for use with Leg Section - Articulating variants	21159

Model specific build option



QA4™ Powered Mobile Surgery System

Description	Code
Backrest Board - Pushing Handles Removed	22345

Customisation

Build Options (which must be specified at the time of ordering) enable you to customise your QA4 with special features – including swapping standard Headrests and Leg Sections for those designed for particular surgical specialisms.



Leg Section - Articulating

Description	Code
Leg Section - Articulating	22355



Leg Section - Articulating with Side Bar

Description	Code
Leg Section - Articulating - with 105mm UK Side Bar	22353
Leg Section - Articulating - with 105mm EU Side Bar	22354



Leg Section - Standard with Side Bar

Description	Code
Leg Section - Standard Light Weight - with Full Length UK Side Bar	22357
Leg Section - Standard Light Weight - with Full Length EU Side Bar	22358

Build options must be specified at the time of ordering



QA4 MOBILE SURGERY SYSTEM

OPTIONAL EXTRAS



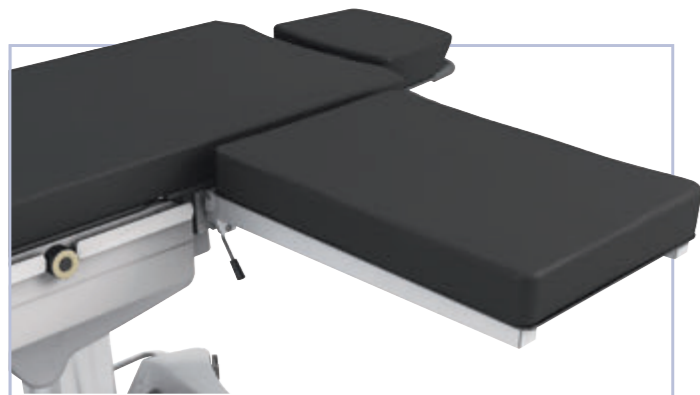
**Headrest
Full Width**

Description	Code
Headrest - Full Width Articulating - with K8 Pressure Care Mattress	21322
Headrest - Full Width Articulating - with UK Side Bar and K8 Pressure Care Mattress	21322-UK
Headrest - Full Width Articulating - with EU Side Bar and K8 Pressure Care Mattress	21322-EU



**Headrest –
Dual-articulating**

Description	Code
Headrest - Dual-articulating Head Positioner - with Shaped Cushion and Neck Plate Pad	21325



Extended Arm Table

Description	Code
Extended Arm Table - Lightweight - Radiolucent - L685mm x W450mm with D75mm Pad	10233



Easy Armboard

Description	Code
Easy Armboard - Lift-to-Position - for UK Side Bar - 75mm Pad	10775
Easy Armboard - Lift-to-Position - for EU Side Bar - 75mm Pad	10774



Armboard

Description	Code
Armboard - Rotatable (10-387) - with Rotating Clamp - for UK Side Bar	10400-UK
Armboard - Rotatable (10-387) - with Rotating Clamp - for EU Side Bar	10400-EU
Armboard Cushion / Pad (10-382-H) - Medisoft (Viscoelastic) - Tapered Bottom with Guttered Top Surface - 40mm*	10415-B1

*Required when ordering 10400-UK or 10400-EU - Armboard - Rotatable

Extending Scope

Specialist Headrests and Leg Sections, along with a wide range of other Operating Table Accessories can be purchased at any time to extend the range of surgical procedures that can be performed on a QA4.



**Leg Section –
Articulating**

Description	Code
Leg Section - Articulating	21355



**Leg Section –
Articulating
with Side Bar**

Description	Code
Leg Section - Articulating - with 105mm UK Side Bar	21353
Leg Section - Articulating - with 105mm EU Side Bar	21354



**Leg Section –
Standard with Side Bar**

Description	Code
Leg Section - Standard Light Weight - with Full Length UK Side Bar	21357
Leg Section - Standard Light Weight - with Full Length EU Side Bar	21357E

Wide range of extra items to complement the QA4 Mobile Surgery System



DESIGN & INNOVATION



MADE IN THE UK



GLOBAL DISTRIBUTION

QA4 MOBILE SURGERY SYSTEM

OPTIONAL EXTRAS



Lift-Assist™
Lithotomy
Stirrups

Accessory Clamps
supplied separately unless
otherwise stated

Quick reference guide:

STANDARD	PATIENT WEIGHT CAPACITY 159 kg
Handle type: Twist Grip	
Boot type: Standard	
Lithotomy range: +84° / -33°	
Abuction range: +25° / -9°	
FINNED ELITE	PATIENT WEIGHT CAPACITY 227 kg
Handle type: Squeeze Grip	
Boot type: Protective Fin	
Lithotomy range: +84° / -33°	
Abuction range: +25° / -9°	
HEAVY DUTY	PATIENT WEIGHT CAPACITY 327 kg
Handle type: Twist Grip	
Boot type: Enlarged Standard	
Lithotomy range: +84° / -33°	
Abuction range: +25° / -9°	

Description	Code
Lift-Assist™ Lithotomy Stirrups - Standard - includes Boot-pads - Max. Patient Weight @159kg / 25 Stone	10755
Lift-Assist™ Lithotomy Stirrups - Finned Elite - includes Boot-pads - Max. Patient Weight @227kg / 36 Stone	10757
Lift-Assist™ Lithotomy Stirrups - Heavy Duty - includes Boot-pads - Max Patient Weight @327kg / 52 Stone	10758



Knee
Crutch Stirrups

Description	Code
Simplicity™ Knee Crutch Stirrups - Complete with Boot Pads (Supplied without Clamps) Pair	10765



Perineal
Instrument
Tray

Description	Code
Perineal Instrument Tray, Multi-pin	10235



Retrograde
Extension

Description	Code
Urology / Retrograde Pyelography / Gynaecology Extension - with UK Side Bar	21397-UK
Urology / Retrograde Pyelography / Gynaecology Extension - with EU Side Bar	21397-EU



Push /
Pull Bar

Description	Code
Push / Pull Bar	21390



Oxygen
Delivery Bar and
Drape Screen

Description	Code
Oxygen Delivery Bar & Drape Screen	21365



Foot-end Extension

Description	Code
Foot-end Extension - with 30mm Deep Mattress	21395



Arm Supports

Description	Code
Lateral / Prone Arm Support c/w Pad	10773
Carter Braine Arm Support c/w Pad	10195



Side Rail Covers

Description	Code
Side Rail Cover - PADDED - for Single-piece Side Rail - GREY Material - PAIR	21347
Side Rail Cover - PADDED - for Single-piece Side Rail - CHILD PRINT Material - PAIR	21348



DESIGN & INNOVATION

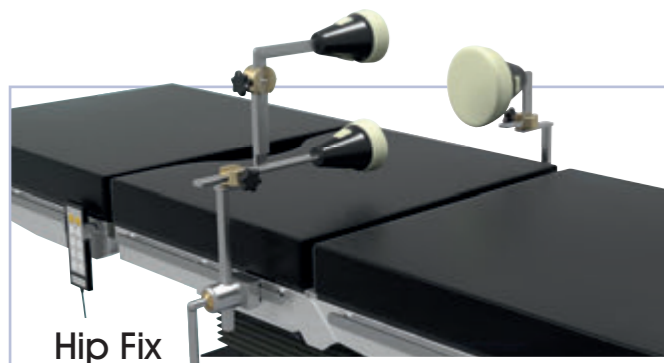


MADE IN THE UK



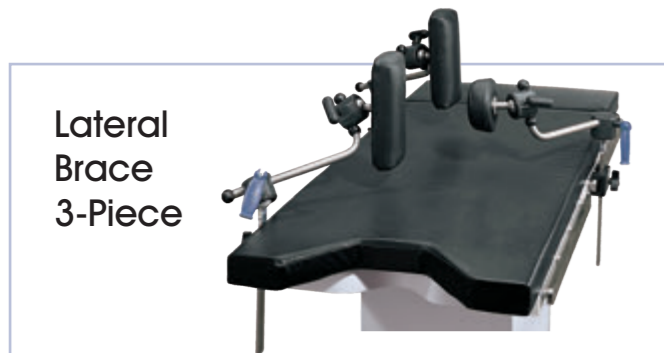
GLOBAL DISTRIBUTION

Customise your surgery system with specialist accessories



Hip Fix

Description	Code
Hip Fix™ (2015-2000) 3-point Fixation System - includes sacrum positioner & vertically mounted iliac crest positioner. Single-use pad set & clamps (two required per system) sold separately	10470
Hip Fix™ Rotary Clamp (10-305-P) - Hook-on for UK Side Bar with Flat Pushing Plunge	10470-C1
Hip Fix™ Rotary Clamp (10-305-P) - Hook-on for EU Side Bar with Flat Pushing Plunge	10470-C2
Hip Fix™ Single-use Pad Set - includes one sacrum & two iliac crest positioner pads (Pack of 25)	10470-P1



Lateral Brace 3-Piece

Description	Code
Lateral Brace 3-Piece c/w Rectangular x2, Circular x1 Supports	10770



Clamps

Description	Code
Clamp - Basic Blade Handwheel - for UK and EU Side Bar	10761
Clamp - Rotary Socket - Stainless Steel - Hook-on - Universal for UK / EU / US Side Bar	10248
Clamp - Universal (Socket & Rail) - Handwheel - for UK / EU / Swiss Side Bar	10250

Operating Table Accessories Stand

Accessories need storage when not in use – and we have the perfect solution.

Our accessories trolley is a compact, mobile storage system which helps to keep a busy theatre environment tidy and uncluttered.

- Adaptable
- Robust
- Multi-functional
- UK or EU Side Bar options



Description	Code
Operating Table Accessories Stand - Mobile - with UK Side Bar	21370
Operating Table Accessories Stand - Mobile - with EU Side Bar	21370E



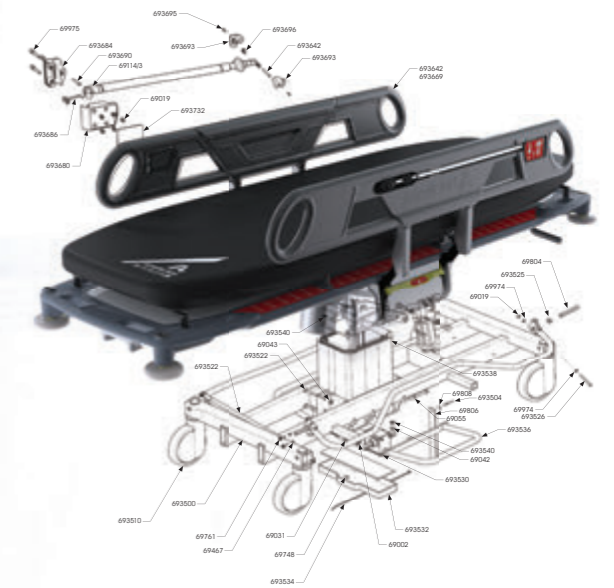
LIFETIME WARRANTY

Subject to annual servicing

QA4 Mobile Surgery System: we offer the unique and popular **'Lifetime Warranty Scheme'**

Take out a service package for regular maintenance costs, fixed for 10 years, including a **10 YEAR WARRANTY**

Covers engineer's time and most parts – also ask about our **AnetiCare** maintenance programmes



Value for money: minimum downtime, maximum peace of mind



DESIGN & INNOVATION



MADE IN THE UK



GLOBAL DISTRIBUTION

SEE
ALSO



QA3 Ophthalmic Stretcher:

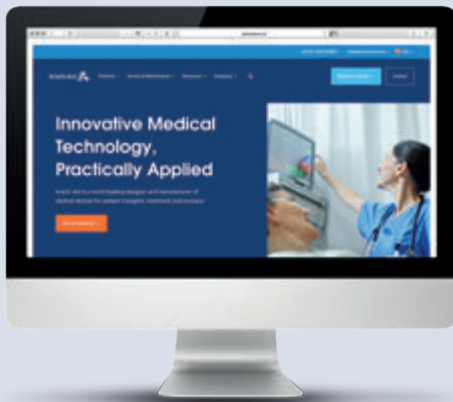
Outstanding surgical access –
exceptional patient comfort

PLUS

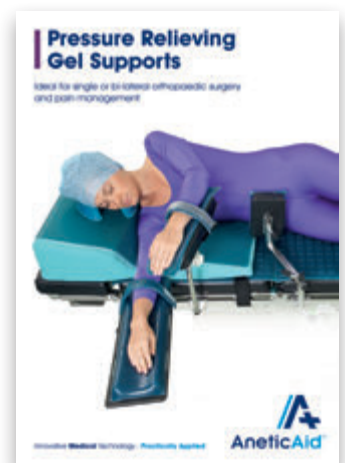
our other product areas



Scan this code to
start a **WhatsApp** chat
with Anetic Aid



OUR PRODUCT AREAS



For more information on any of our products or service contracts, call:
sales@aneticaid.com **+44 (0)1943 878647** aneticaid.com



DESIGN & INNOVATION



MADE IN THE UK



GLOBAL DISTRIBUTION

Innovative **Medical** Technology - **Practically Applied**



Anetic Aid Ltd, Sapper Jordan Rossi Business Park, Otley Road, Baildon BD17 7AX, UK



Sept 2022