

NEW In-line Brix Monitor CM-800α

Simplicity at Its Best. Powerful and Versatile Process Measurement.

This new addition to the popular CM series is highly customizable to fit a wide range of applications. The improved accuracy of $\pm 0.1\%$ spans across the newly extended range of 0 to 80% Brix.

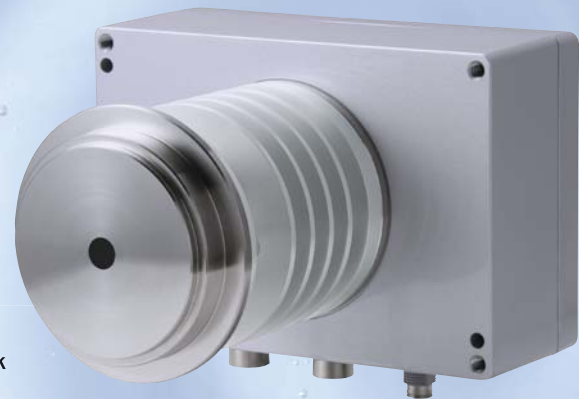
Special Order Options



VARIVENT® is a registered trademark of GEA Tuchenhausen.



Front



Back

Cat.No.3564

● Features

NEW Wetted parts were flattened.

- Process temperature range of -30 to 150°C
- Suitable for CIP/SIP operations
- User-programmable coefficient for Automatic Temperature Compensation (ATC)

● Fitting Options *Contact ATAGO for customization options.

IDF/ISO clamp union (ferrule)	1S to 3S	
IDF/ISO screw union (screw)	1S to 3S	
JIS Flange	25A to 65A	
IDF/ISO clamp union (ferrule)	1S to 3S	
IDF/ISO screw union (screw)	1S to 3S	
JIS Flange	25A to 65A	
Compression Fitting	10mmΦ	
Hose connector	12mmΦ	

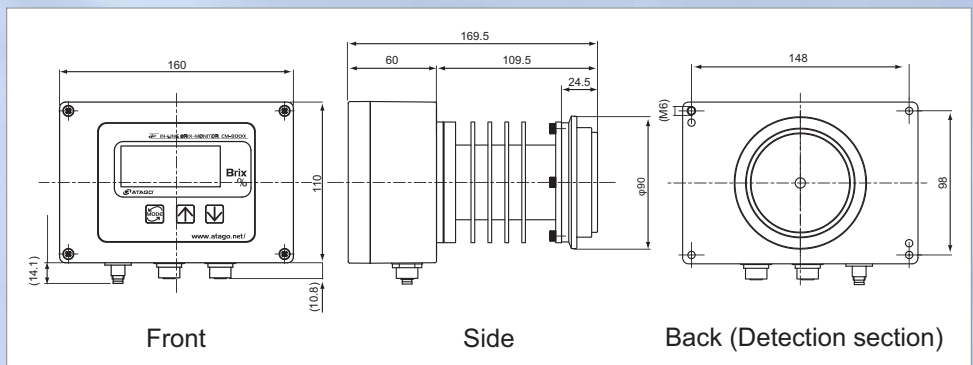
● AC adapter

The AC adapter used to convert AC100-240V to DC24V and to supply power to the CM-800α.



- AD-32 (AC100V) Cat.No.3527
- AD-33 (AC110-120V) Cat.No.3528
- AD-34 (AC220-240V) Cat.No.3529

● Dimensions



*Contact ATAGO if you are interesting in using the CM series to measure other types of solution.

● Specifications

Measurement scale	Brix (ATC according to the sample liquid)
Measurement range	Brix 0.00 to 80.0%
Resolution	Brix 0.01 or 0.1% (With an option to display measurements between 0.00 and 9.99% to the 2nd decimal place)
Measurement accuracy	Brix $\pm 0.1\%$
Measurement temperature	5 to 100°C (ATC)
Wetted parts temperature	-30 to 150°C
Ambient temperature	5 to 40°C
Output method	RS-232C, DC 4 to 20mA
Wetted parts materials	Prism : Sapphire Prism stage : SUS316L
International Protection class	IP64 Water resistant
Power supply	DC24V
Dimensions and weight	16×17×11cm, 2.4kg (main unit only)