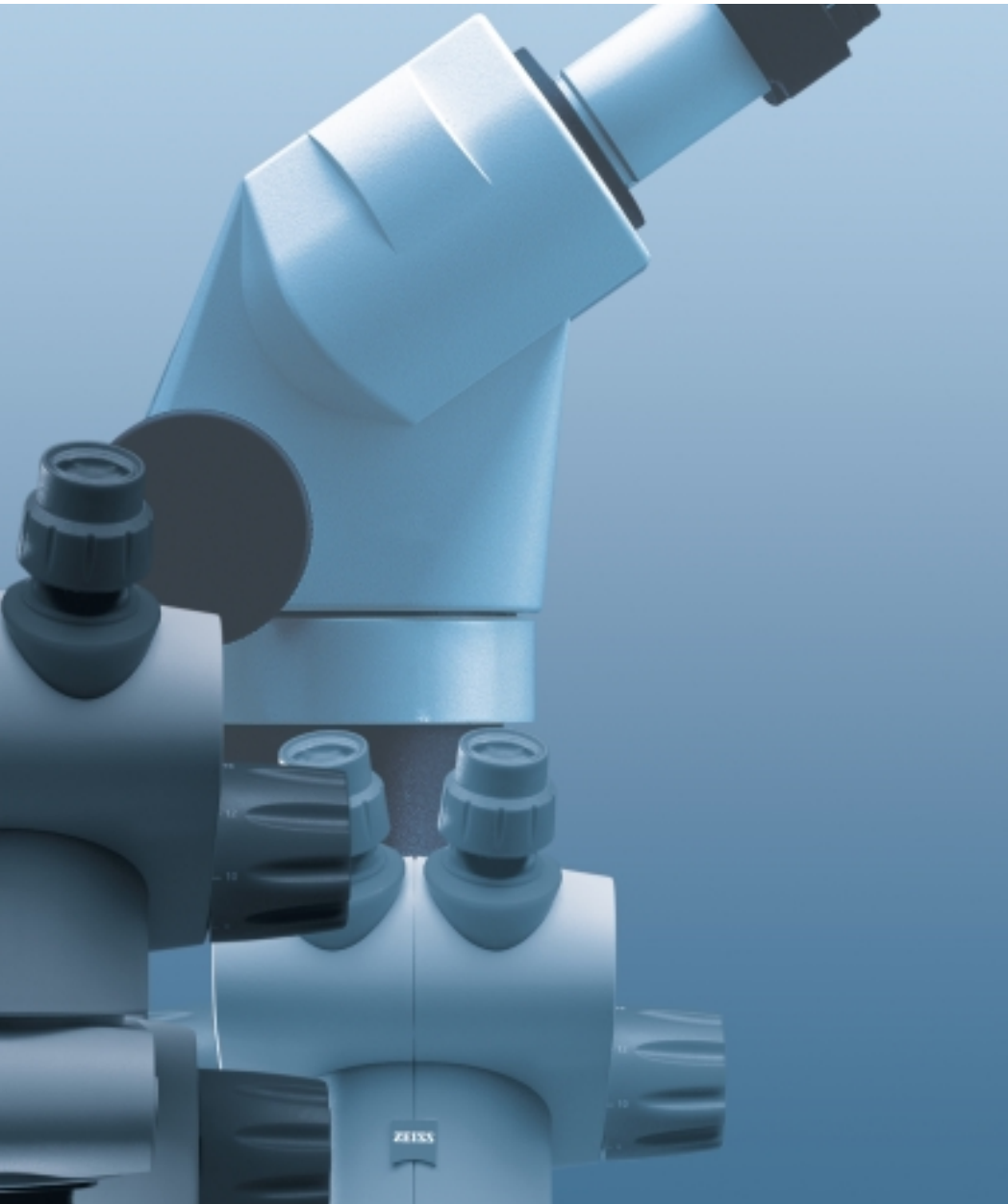


**Stemi DR, Stemi DV4  
Stemi 2000**  
Stereomicroscopes



# The Profile

**Conceived by Greenough,  
Realized by Zeiss.**



## Extra Excellence from Zeiss

Carl Zeiss Stemi 2000 stereomicroscopes definitely rank among the leading instruments of their performance class. Their deservedly fine reputation among the world's laboratories and industrial plants is mainly due to their unexcelled imaging quality in terms of contrast, depth of field and resolving power. The peerless standard 23 mm field of view lets you observe a specimen field sized up to 35 mm. The Stemi 2000 was the first to have a distinctly lower viewing angle of 35° – an essential ergonomic improvement in modular stereomicroscope setups of greater overall height.

An exchangeable dust glass protects the valuable zoom optics against dust and aggressive vapors.

As all Greenough microscopes, the Stemi 2000 models have the internationally common 76 mm mounting diameter.

Stemi 2000 – another proof of Zeiss excellence.



*The microscope bodies:*

### **Stemi 2000**

- Stereomicroscope with factor 7.7 zoom magnification changer
- Switchable click stop
- Magnification range: 6.5x to 50x
- Field-of-view number: 23
- Free working distance: 92 mm

### **Stemi 2000 C**

- Stereomicroscope with factor 7.7 zoom magnification changer
- Switchable click stop
- Magnification range: 6.5x to 50x
- Field-of-view number: 23
- Free working distance: 92 mm
- Camera port with 100/100% light selector switch

### **Stemi 2000 CS**

- Stereomicroscope with factor 7.7 zoom magnification changer
- Switchable click stop
- Magnification range: 6.5x to 50x
- Field-of-view number: 23
- Free working distance: 92 mm
- Camera port with fixed 50/50% light distribution



# The Solid Base of Quality Results

Flexible operations on a solid base: With a number of tried-and-approved stands for its stereomicroscopes, Carl Zeiss offers efficient solutions tailored to your specific requirements. Functional, variable and stable, these are stands you can depend on.

An inexpensive, but efficient accessory to the Model C stand: the darkfield transmitted light accessory.



**Model P stand**

With a sturdy, spring-mounted hinged arm, the Model P leaves lots of free space for positioning your stereomicroscope over the bench top. There is no problem in swiveling the instrument in and out as required.

**Model C stand**

This compact stand already incorporates the essential illuminating techniques – reflected, transmitted and mixed light. Select them by pressing a button, and control them separately. Optimum for teaching and simple routine work.

Cantilever-type or hinged-arm stands such as Model DA, Model D or Model G allow the observation of large specimens. Their rotating, swiveling and tilting facilities meet your flexibility requirements.

For footprints and column heights of all stereomicroscopes see page 27.

**Model S stand**

Economic and functional: the elementary stand.

**Model N stand**

Large, but low-weight base of sandwich design ensuring high stability.

**Base plate 32 with column**

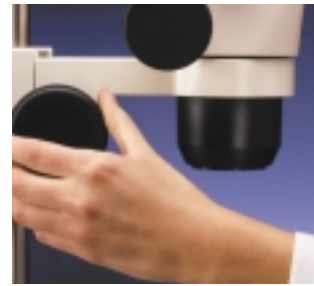
Enormously stable. This sturdy base accommodates columns of 32 mm dia. and various lengths, and affords extra stability for extensive microscope setups. Ideal for observing large specimens.



# The Link to Your Success

Four functions in one. The Stemi mounting bracket for the 32 mm dia. stand column combines all important functions:

- Supporting the microscope body at its 76 mm mounting diameter
- Focusing onto the specimen within a range of  $\pm 20$  mm
- Fitting to 32 mm dia. stand columns
- Accommodating optical fiber illuminators



*Surface finish and diameter of the control knobs ensure swift and sensitive focusing.*

*Stemi mounting bracket with focusing knob for 32 mm column. Basic outfit for stereomicroscopy. For fast, sensitive focusing – from overview to detail.*



*The combination of a non-focusing Stemi mounting bracket of 76 mm mounting dia. and a BMS adapter (Bonder Mount Socket 5/8") provides a tiltable connection with cantilever and hinged-arm stands.*



**Adapter for B&L mounting brackets**  
*For fitting Zeiss stereomicroscopes to the barrel-shaped aperture of the brackets of earlier Bausch&Lomb stereomicroscopes.*

# Precise, Smooth Handling – Kind to Your Specimens

Stages not only facilitate observation but also help avoid damage to specimens. After placing the specimen on a stage, you can operate controls to shift and/or tilt your specimen without touching it again.



*Jerk-free, specimen-preserving work with the sliding stage.*

### **Sliding stage**

*For sensitive shifting and turning of specimens.  
Stage diameter: 190 mm  
Range of motion:  $\pm 20$  mm*

### **Ball-and-socket stage**

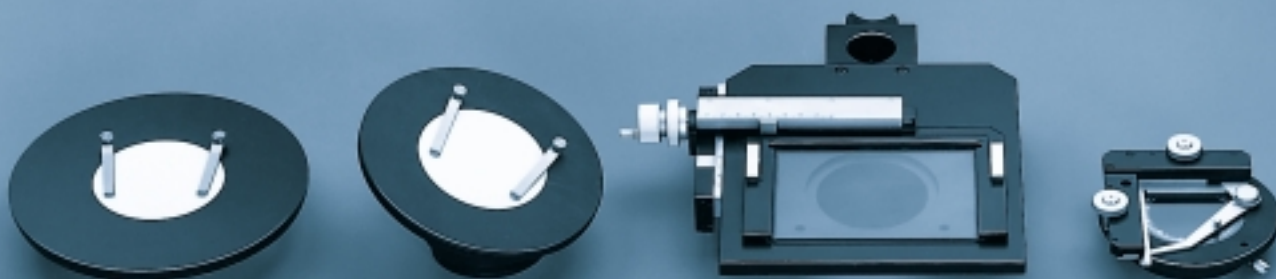
*Can be tilted in any direction to allow observation of 3D objects sideways. Small specimens can be pricked to the exchangeable, adhesive soft pad inset.  
Stage diameter: 158 mm.  
Range of tilt:  $\pm 30^\circ$ .*

### **Mechanical stage**

*Facilitates systematic scanning of specimens on slides or in Petri dishes with transmitted-light or epi-illumination. Can be fitted with optional specimen driver, glass plate, and/or various type M holder frames for specimen vessels.  
Range of motion: 76 x 50 mm  
Holder frames: Please inquire.*

### **Rotating stage**

*For observations with reflected, transmitted and – especially – polarized light. Equipped with a vernier scale for object quantification and reproducible positioning. A specimen driver option is available for retrofitting.  
Stage diameter: 115 mm  
Range of rotation: 360°  
Range of specimen slider motion: 75 x 25 mm.*



## 24 Specimens at Your Fingertips

**Fast, easy, safe: Retrofit your 32 mm column stand with the Model S Specimen Carousel, and click-stop any of 24 specimens to its precise position in the beam path. The carousel works with all illuminating techniques – reflected, transmitted or mixed light, brightfield or darkfield.**



*A special click stop mechanism exactly positions each specimen.*

*Ideal and efficient for museums and exhibitions:  
The Model C Specimen Carousel fitted to the compact Model C stand.*

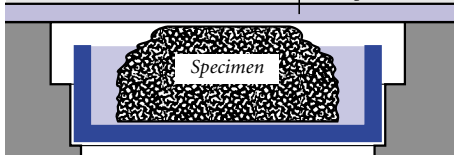


*Petri dish  
(dia. 35 mm)*

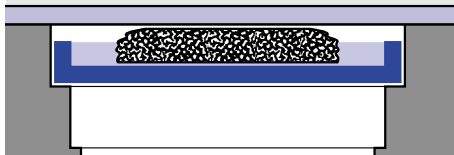
*The wells of the carousel accommodate commercial Petri dishes of 35 mm dia. Throughout the 24 places, the surface or detail of interest remains approximately in focus, requiring only slight correction.*

*Place tall samples  
in a Petri dish.*

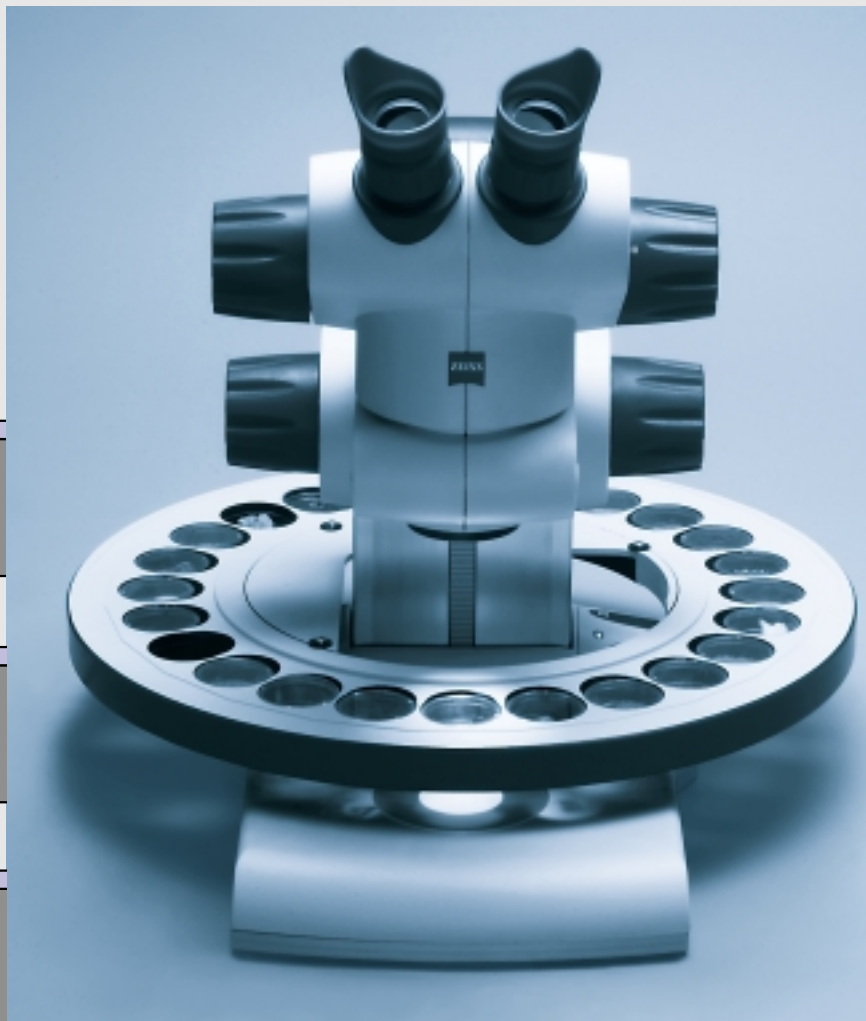
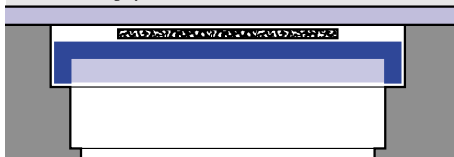
*Cover plate*



*Place samples of medium height  
in the lid of the Petri dish.*



*Place flat samples  
on top of the lid.*



## Extra Power

With supplementary lenses you can increase either the magnifying power or the free working distance of your stereomicroscope. Simply screw them to the objective front lens mount.



For extra-sensitive, vibration-free focusing, use the **supplementary 0.3x ... 0.5x zoom lens**. As an added advantage, it allows the viewing height to be varied within  $\pm 70$  mm. Specially suited as a companion to cantilever and hinged-arm stands.



Whereas supplementary lenses with power factors below 1 enlarge the object field and the working distance, ...

... those with power factors above 1 increase the stereomicroscope's magnification.

For working distances and object fields, see page 26.



# Wide Fields

All eyepieces on Zeiss stereomicroscopes can be focused to allow the compensation of the observer's visual defects. Plug-in diameter: 30 mm.

And all eyepieces can accommodate micrometer disks.



**Measuring, counting, comparing**

Eyepiece micrometer disks are available with diameters of 26 and 21 mm.

They are calibrated with a stage micrometer.



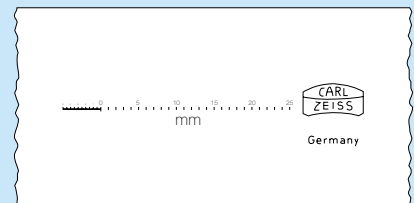
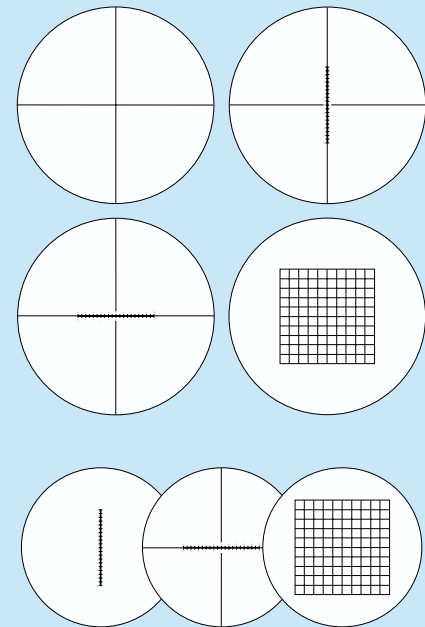
**Eyepieces W 10x/21 foc.\* with eyecups.**  
Budget-priced wide-field eyepieces of high optical performance.  
(Eyepiece micrometer disk dia.: 26 mm)

**Eyepieces W-PL 10x/23 Br.\*\* foc.\***  
High-performance aspheric eyepieces with large, flattened 23 mm visual field  
(Optional eyecups)  
(Eyepiece micrometer disk dia.: 26 mm)

**Eyepieces W-PL 16x/16 Br.\*\* foc.\***  
Eyepieces of high magnification with large 54° angular field  
(Optional eyecups)  
(Eyepiece micrometer disk dia.: 21 mm)

**Eyepieces W 25x/10 foc.\* with eyecups**  
For maximum magnifications  
(Eyepiece micrometer disk dia.: 21 mm)

\* focusing  
\*\* high eyepoint (for use with eyeglasses)



Left to right and top to bottom:

- Crosshairs, 26 mm dia.
- Crosshairs micrometer 10:100, 26 mm dia.
- Crosshairs micrometer 14:140, 26 mm dia.
- Net micrometer 12.5x12.5/5, 26 mm dia.
- Eyepiece micrometer 10:100, 21 mm dia.
- Crosshairs micrometer 10:100, 21 mm dia.
- Net micrometer 10x10/5; 10, 21 mm dia.
- Stage micrometer 25+50/10 mm

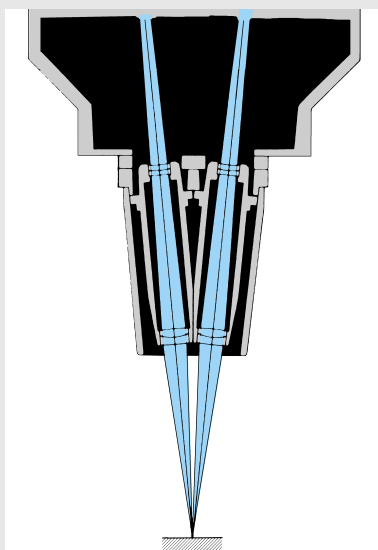
# Stereomicroscopes Form True-to-Side, Erect 3D Images

The realistic, 3D images are especially effective with specimens having pronounced spatial structures.

The large object fields and long working distances are of particular advantage.

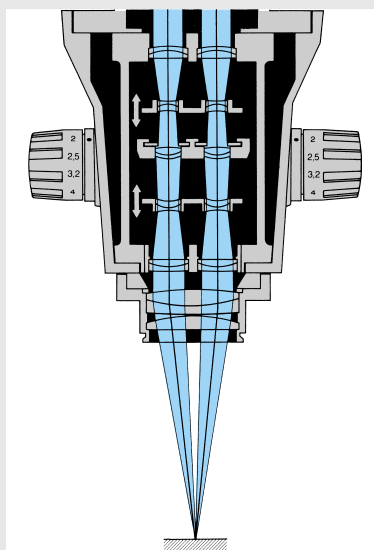
The total magnification limit of modern stereomicroscopes is about 250x.

Modern stereomicroscopes are built according to either of two design concepts:



## The Greenough design

Two identical objectives, arranged with their optical axes including the stereo angle, generate two separate images. Observed through separate eyepieces, they combine to form a 3D image.



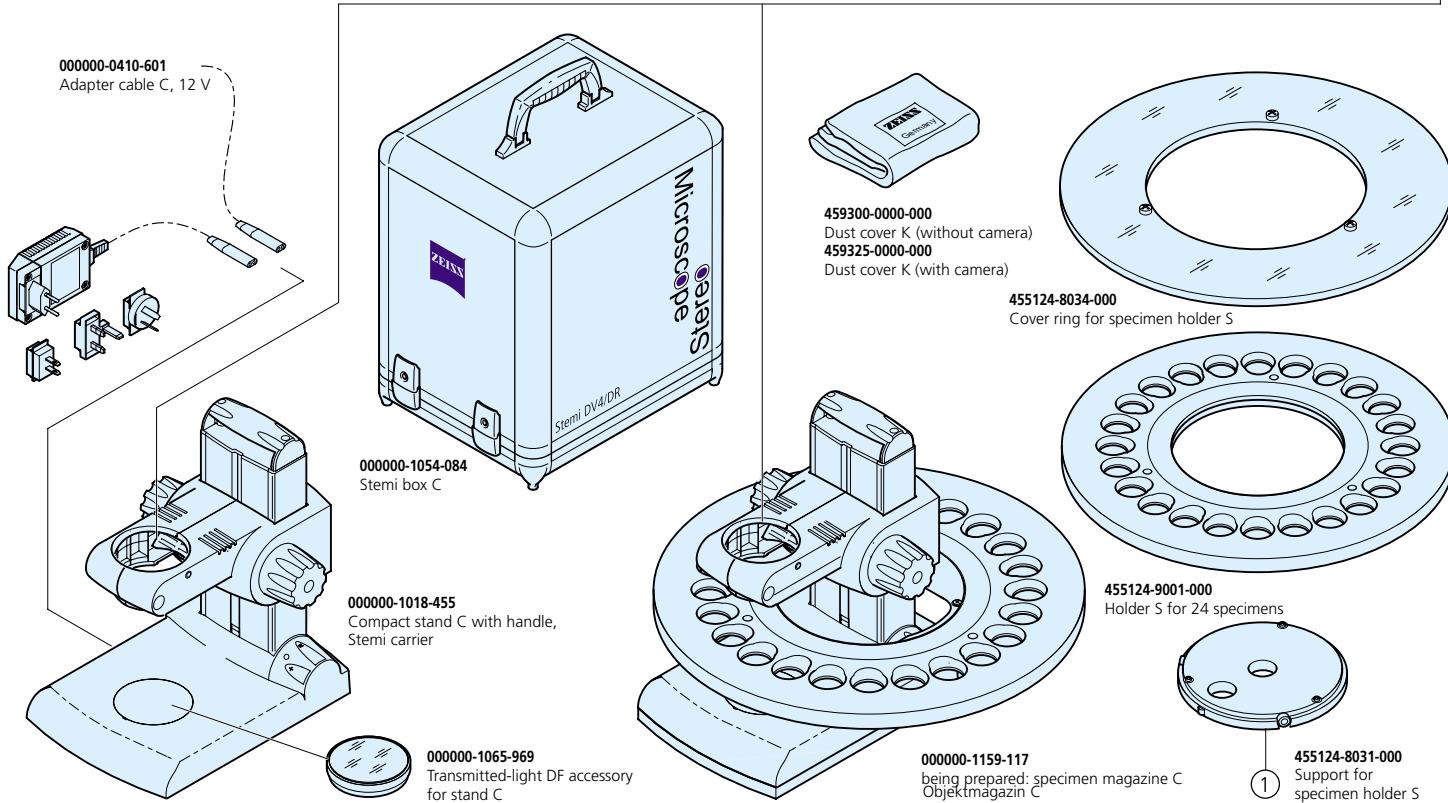
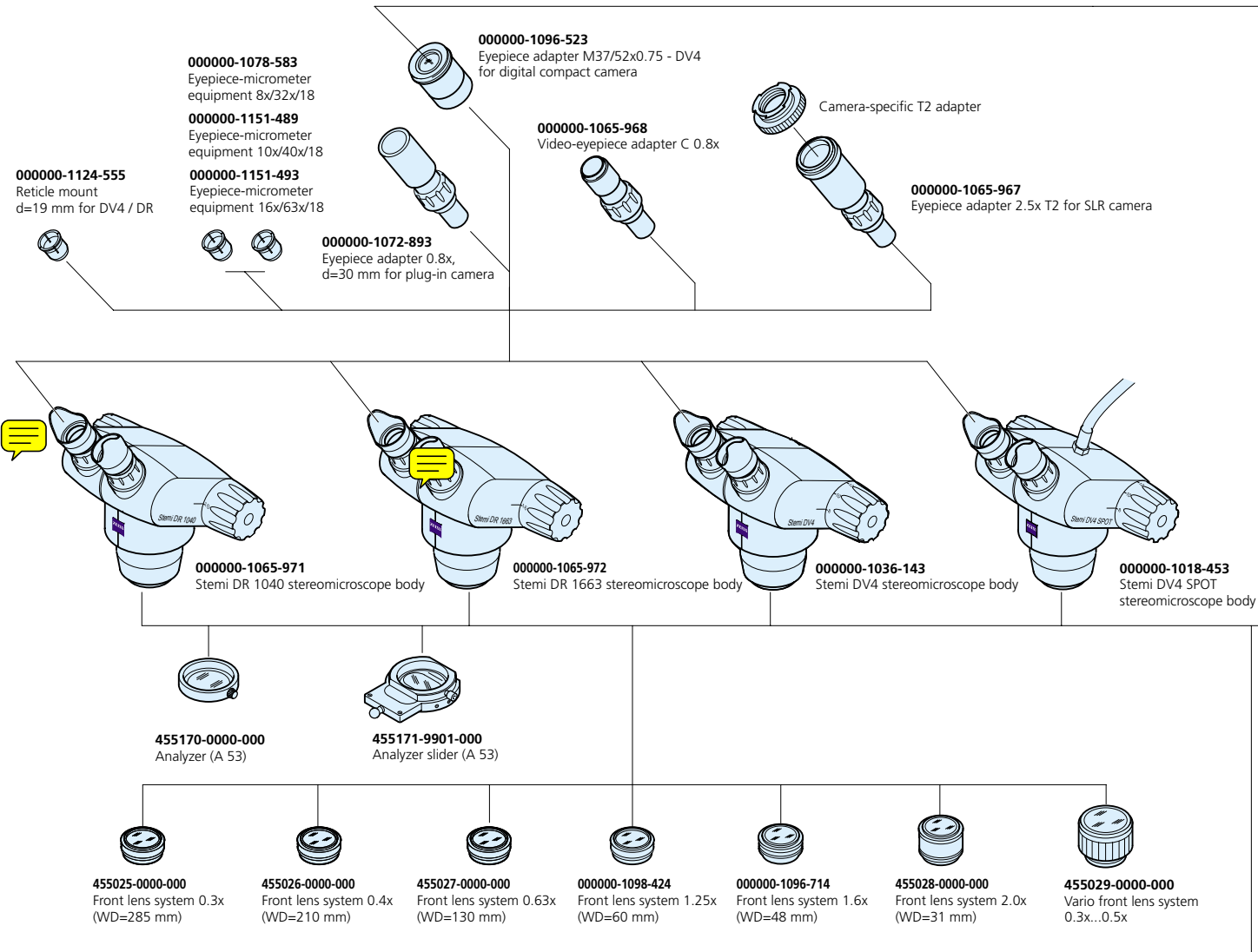
## The Telescope design

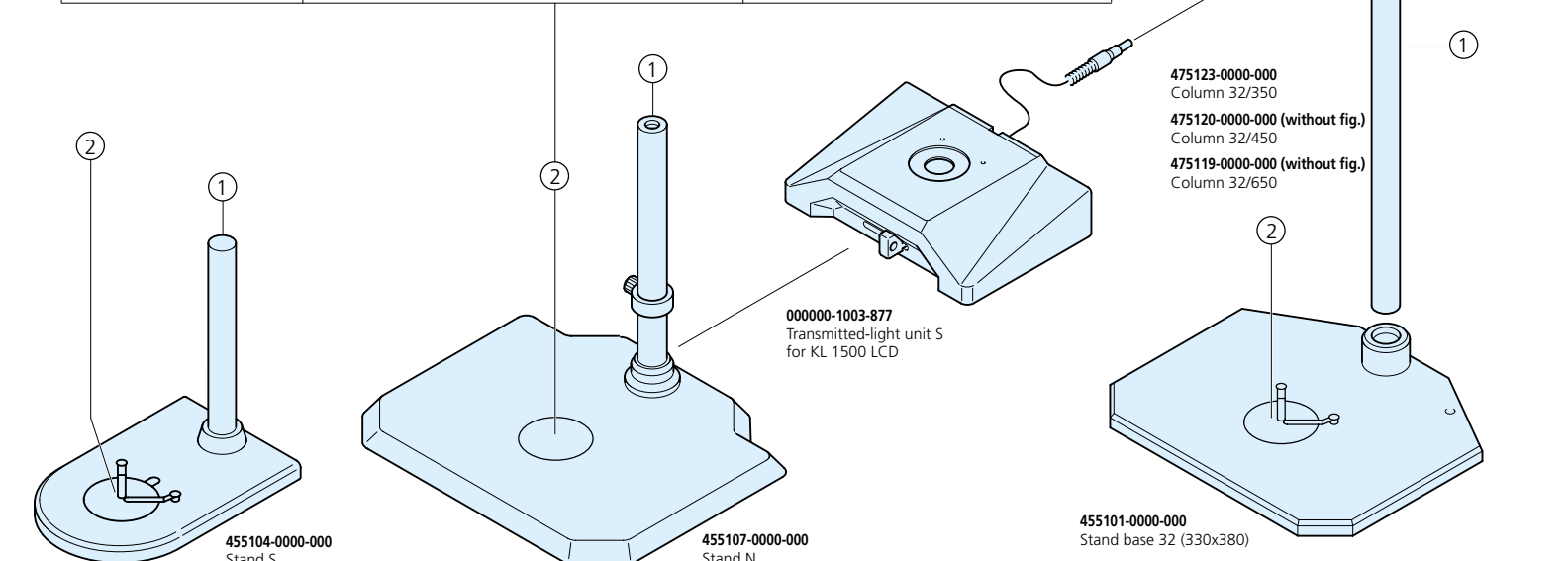
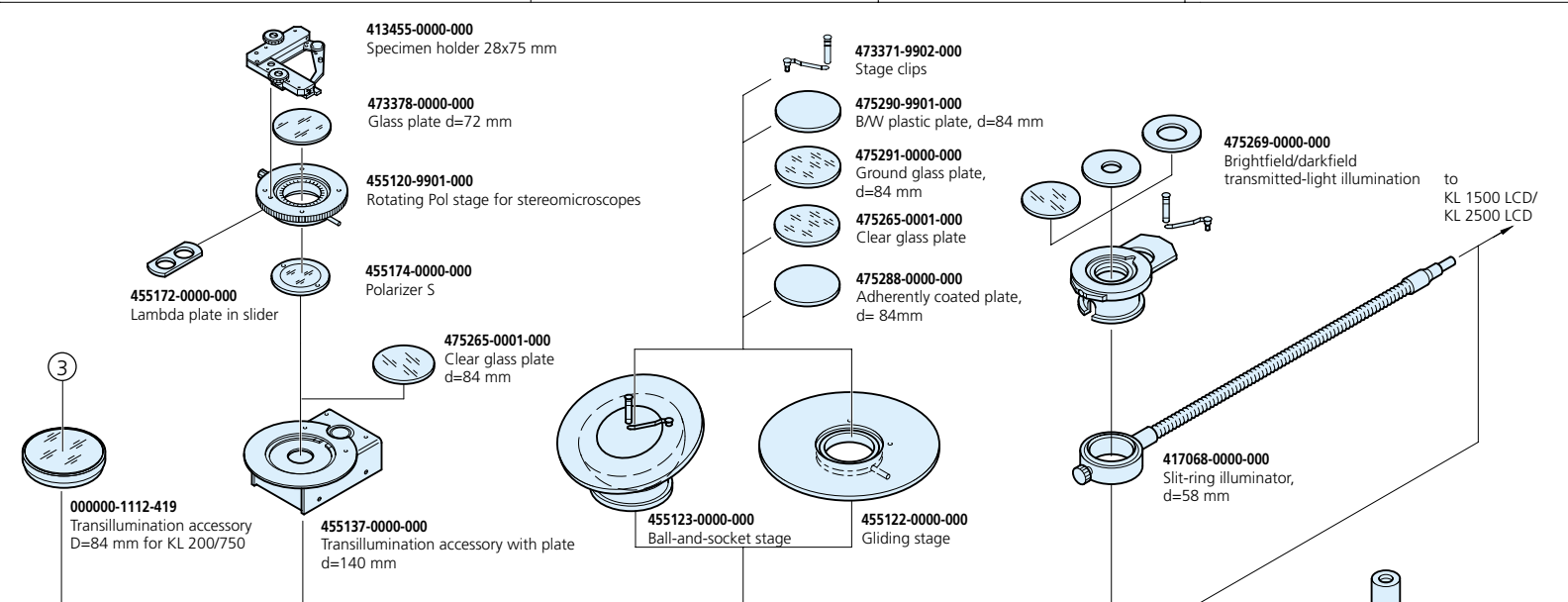
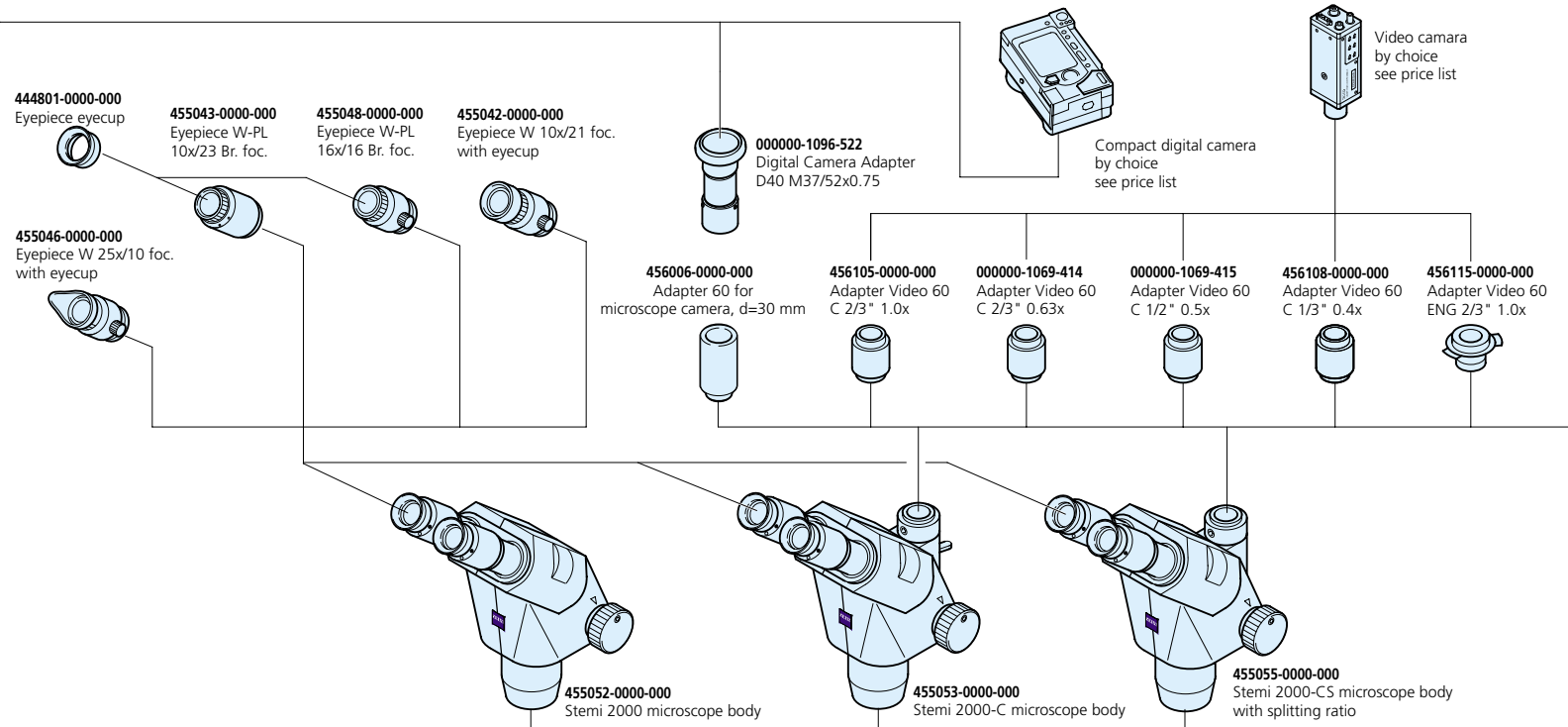
Two microscope systems arranged in parallel share a common objective. The stereo angle is formed by the extra-axial pairs of rays.

The stereomicroscopes of the *Stemi DR*, *Stemi DV4* (Double lens) and *Stemi 2000* series conform to the Greenough concept.

The bodies of these stereomicroscopes are very compact. Even in their most basic configurations, the Carl Zeiss products excel by their outstanding imaging performance.

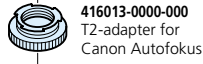
# Systems Overview



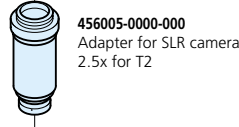




**426131-0000-000**  
SLR Camera body  
Canon EOS33 incl. cable release



**416013-0000-000**  
T2-adapter for  
Canon Autofokus



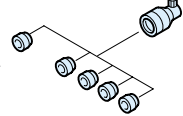
**456005-0000-000**  
Adapter for SLR camera  
2.5x for T2

Microscope camera MC 80 DX (without fig.)  
Microscope camera MC 200 CHIP (without fig.)



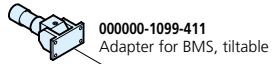
**456006-0000-000**  
Adapter 60 for  
microscope camera,  
d=30 mm

**417059-9901-000**  
Focusing attachment  
without filters



**417065-0000-000**  
Polarization filter

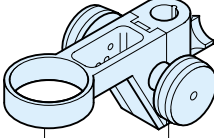
**417060-9901-000**  
Focusing attachment and filter set



**000000-1099-411**  
Adapter for BMS, tiltable



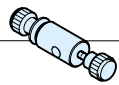
**455096-0000-000**  
Stemi carrier without drive



**455094-0000-000**  
Stemi mount with  
drive for column 32

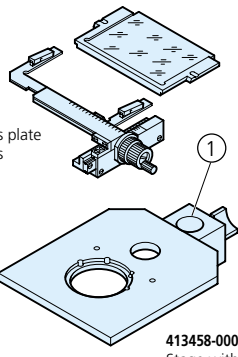
**455149-0000-000**  
Adapter for built-in illuminator

**417085-9002-000**  
Light guide holder for Stemi mounts

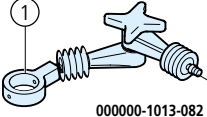


**000000-1096-716 (without fig.)**  
Holding ring DV4/DR  
for slit-ring illuminator  
**455184-0000-000**  
Holding ring d=58 mm  
for 6-point ring illuminator

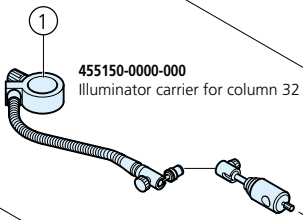
**413458-9001-000**  
Specimen holder with  
mounting frame and glass plate  
(additional holding frames  
available on request)



**413458-0000-000**  
Stage with carrier 32

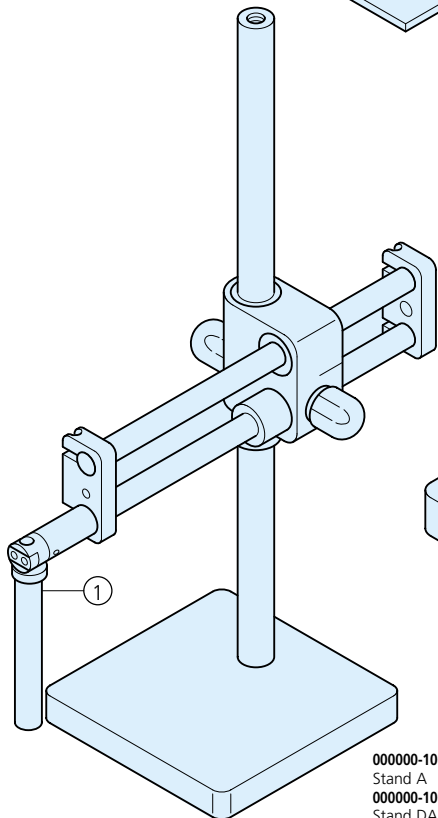


**000000-1013-082**  
Articulated arm S

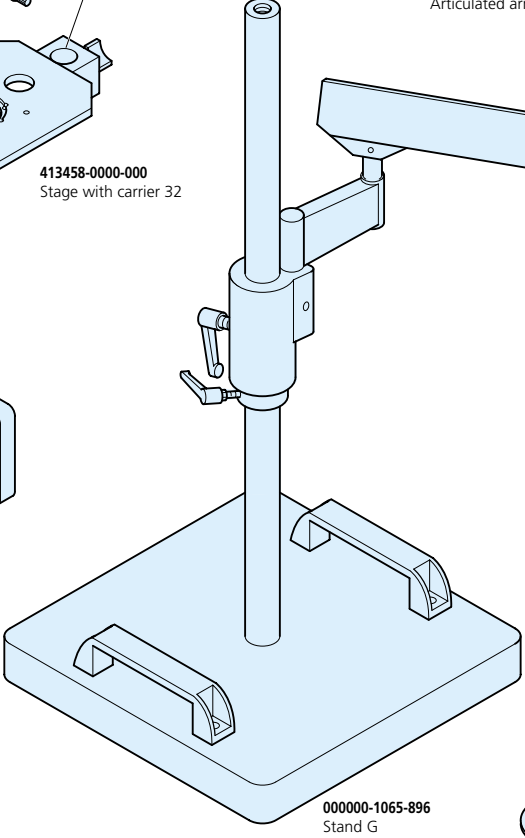


**455150-0000-000**  
Illuminator carrier for column 32

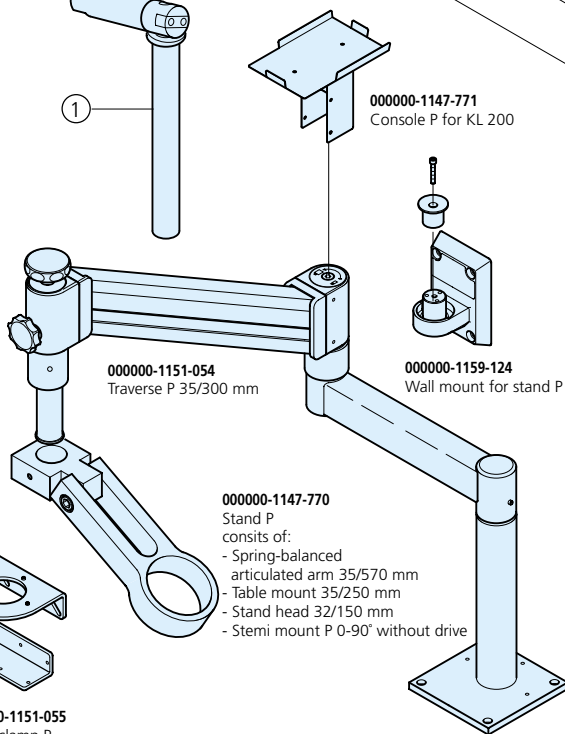
**455143-0000-000**  
Light guide holder for  
illuminator carrier



**000000-1065-894 (without fig.)**  
Stand A  
**000000-1065-895**  
Stand DA



**000000-1065-896**  
Stand G



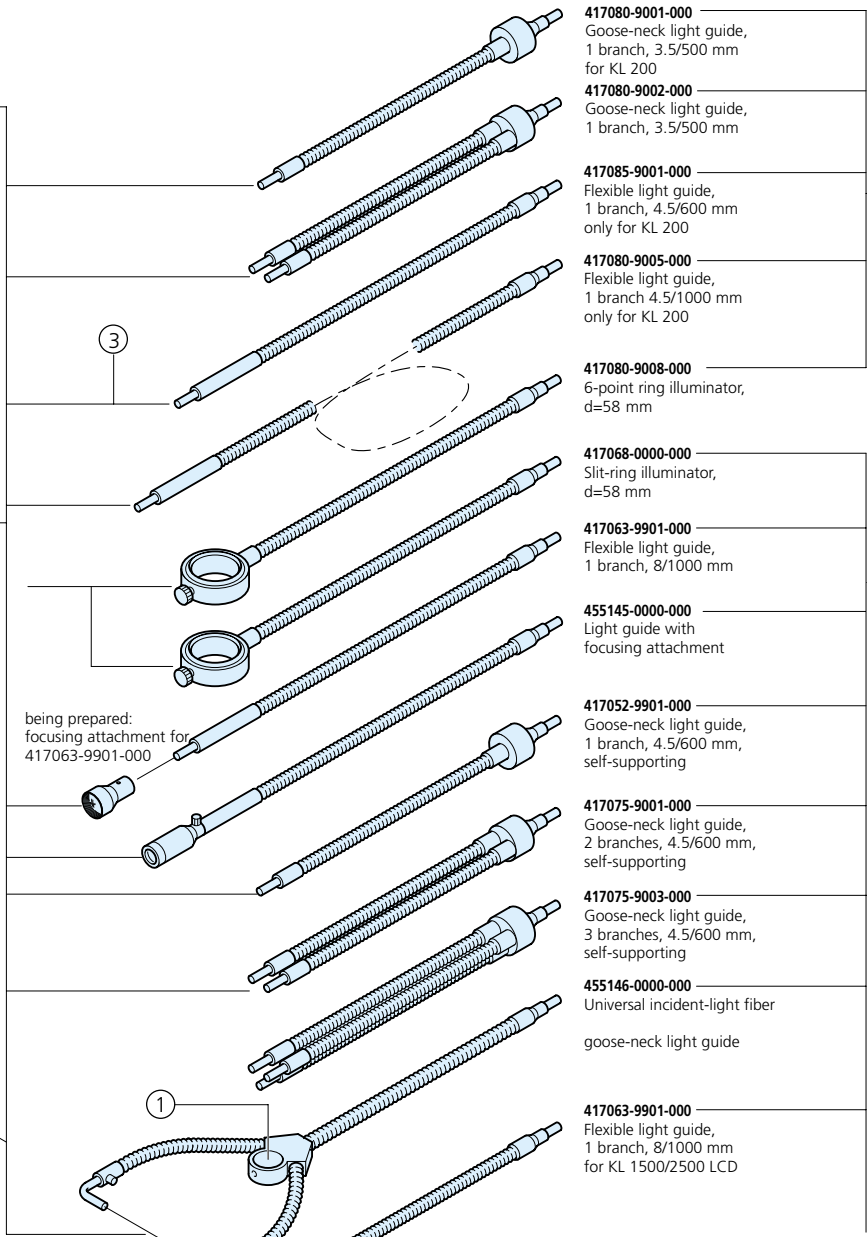
**000000-1151-054**  
Traverse P 35/300 mm

**000000-1147-771**  
Console P for KL 200

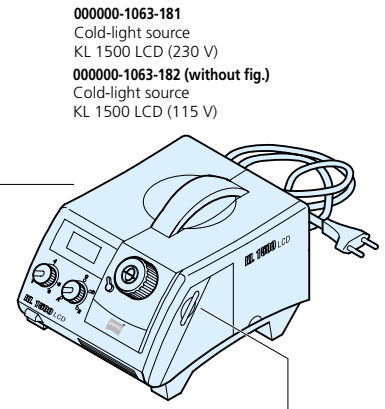
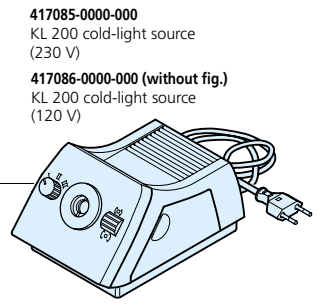
**000000-1159-124**  
Wall mount for stand P

**000000-1147-770**  
Stand P  
consists of:  
- Spring-balanced  
articulated arm 35/570 mm  
- Table mount 35/250 mm  
- Stand head 32/150 mm  
- Stemi mount P 0-90° without drive

**000000-1151-055**  
Table clamp P



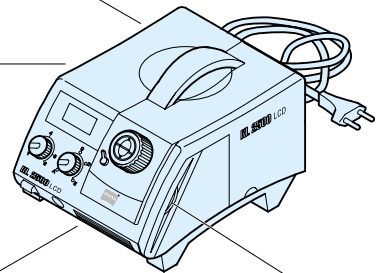
- 417080-9001-000**  
Goose-neck light guide,  
1 branch, 3.5/500 mm  
for KL 200
- 417080-9002-000**  
Goose-neck light guide,  
1 branch, 3.5/500 mm
- 417085-9001-000**  
Flexible light guide,  
1 branch, 4.5/600 mm  
only for KL 200
- 417080-9005-000**  
Flexible light guide,  
1 branch 4.5/1000 mm  
only for KL 200
- 417080-9008-000**  
6-point ring illuminator,  
d=58 mm
- 417068-0000-000**  
Slit-ring illuminator,  
d=58 mm
- 417063-9901-000**  
Flexible light guide,  
1 branch, 8/1000 mm
- 455145-0000-000**  
Light guide with  
focusing attachment
- 417052-9901-000**  
Goose-neck light guide,  
1 branch, 4.5/600 mm,  
self-supporting
- 417075-9001-000**  
Goose-neck light guide,  
2 branches, 4.5/600 mm,  
self-supporting
- 417075-9003-000**  
Goose-neck light guide,  
3 branches, 4.5/600 mm,  
self-supporting
- 455146-0000-000**  
Universal incident-light fiber  
goose-neck light guide
- 417063-9901-000**  
Flexible light guide,  
1 branch, 8/1000 mm  
for KL 1500/2500 LCD



- 000000-1063-301**  
Filter S, blue
- 000000-1063-302**  
Filter S, red
- 000000-1063-303**  
Filter S, green
- 000000-1063-304**  
Filter S, yellow
- 000000-1063-306**  
Conversion filter S

**000000-1063-183**  
Cold-light source  
KL 2500 LCD (230V)

**000000-1063-184 (without fig.)**  
Cold-light source  
KL 2500 LCD (115V)



- 417090-9001-000**  
Ring illuminator d=66 mm  
for KL 2500 LCD
- 000000-1004-001**  
Ring illuminator for  
incident-light darkfield,  
adjustable
- 000000-1063-307**  
Line light S, l=50 mm

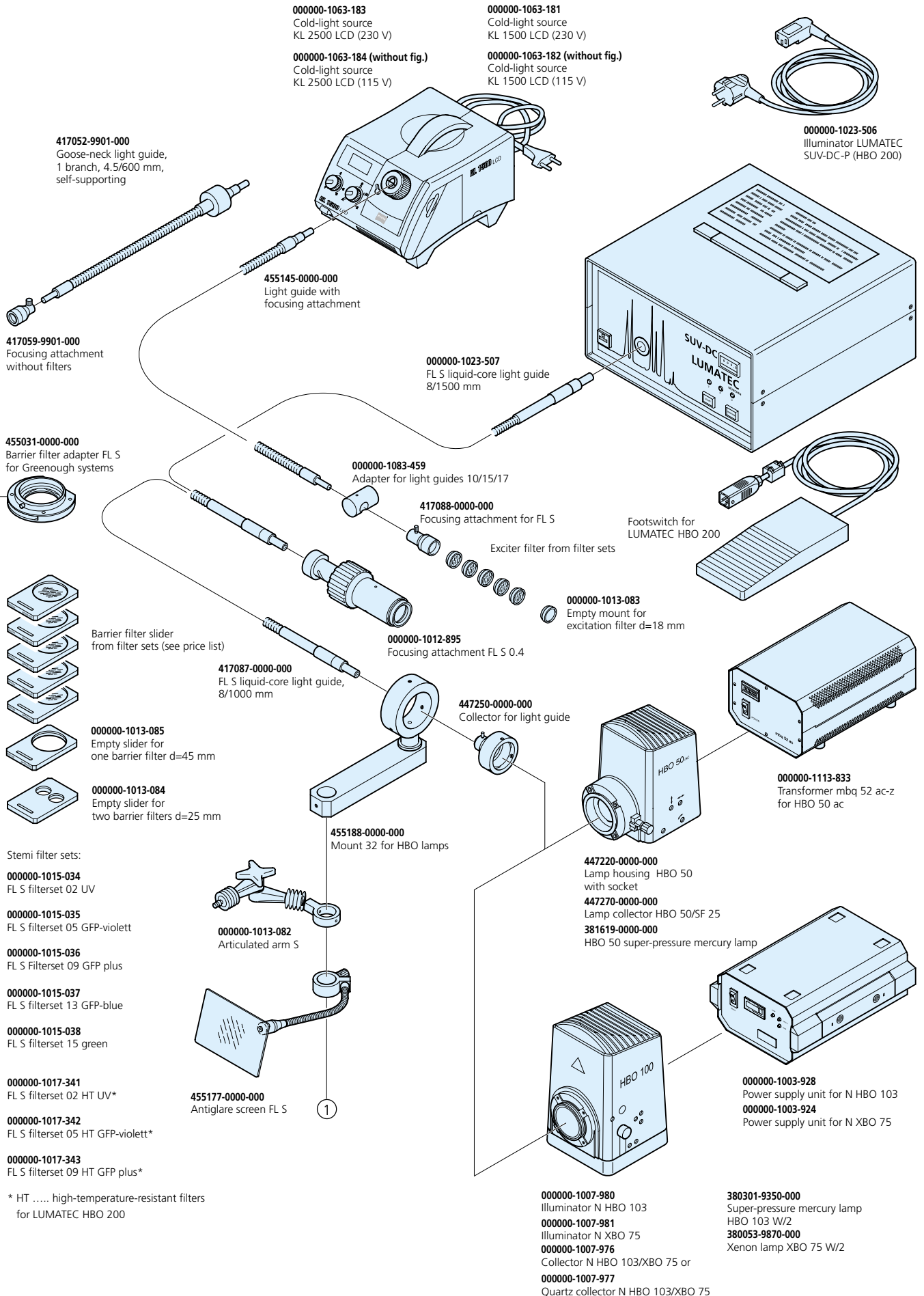
- 000000-1063-313**  
Blue filter, d=28 mm
- 000000-1063-314**  
Red filter, d=28 mm
- 000000-1063-315**  
Green filter, d=28 mm
- 000000-1063-316**  
Yellow filter, d=28 mm
- 000000-1063-317**  
Conversion filter, d=28 mm

**000000-1069-753**  
Diffuser S for KL 1500 LCD

**417075-9016-000**  
AL-DF 2 adapter

**417075-9015-000**  
AL-DF 1 adapter

**417090-9002-000**  
focusing attachment for 000000-1063-292



\* HT ..... high-temperature-resistant filters  
for LUMATEC HBO 200

# At a Glance

## Stemi DR 1040

Eyepiece	W 10x/20 Br. foc.							
Supplementary lens	0.3x	0.4x	0.3x...0.5x	0.63x	none	1.25x	1.6x	2x
Free working distance	285 mm	210 mm	234...91 mm	130 mm	92 mm	60 mm	48 mm	31 mm
Magnifications	3.0x/12.0x	4.0x/16.0x	3.0x...5.0x / 12.0x...20.0	6.3x/25.2x	10.0x/40.0x	12.5x/50.0x	16.0x/64.0x	20.0x/80.0x
Object field (mm)	66.7/16.7	50.0/12.5	66.7...40.0 / 16.7...10.0	31.8/7.9	20.0/5.0	16.0/4.0	12.5/3.1	10.0/2.5

## Stemi DR 1663

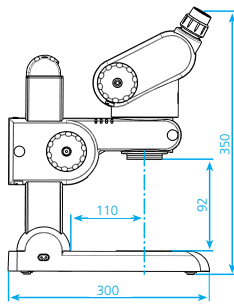
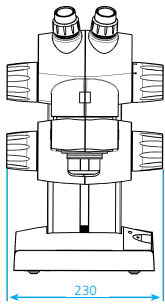
Eyepiece	W 10x/20 Br. foc.							
Supplementary lens	0.3x	0.4x	0.3x...0.5x	0.63x	none	1.25x	1.6x	2x
Free working distance	285 mm	210 mm	234...91 mm	130 mm	92 mm	60 mm	48 mm	31 mm
Magnifications	4.8x/18.9x	6.4x/25.2x	4.8x...8.0x / 18.9x...31.5	10.1x/39.7x	16.0x/63.0x	20.0x/78.8x	25.6x/100.8x	32.0x/126.0x
Object field (mm)	41.7/10.6	31.3/7.9	41.7...25.0 / 10.6...6.3	19.8/5.0	12.5/3.2	10.0/2.5	7.8/2.0	6.3/1.6

## Stemi DV4 and Stemi DV4 spot

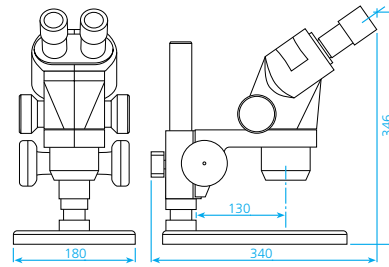
Eyepiece	W 10x/20 Br. foc.							
Supplementary lens	0.3x	0.4x	0.3x...0.5x	0.63x	none	1.25x	1.6x	2x
Free working distance	285 mm	210 mm	234...91 mm	130 mm	92 mm	60 mm	48 mm	31 mm
Magnifications	2.4x...9.6x	3.2x...12.8x	2.4x...16.0x	5.0x...20.2x	8.0x...32.0x	10.0x...40.0	12.8x...51.2	16.0x...64.0
Object field (mm)	83.3...20.8	62.5...15.6	83.3...12.5	40.0...9.9	25.0...6.3	20.0...5.0	15.6...3.9	12.5...3.1

## Stemi 2000

Supplementary lens		Eyepiece					
Factor	Free working distance (mm)	WPL 10x/23 Br. foc.		WPL 16x/16 Br. foc.		W 25x/10 foc.	
		Magnifications	Object field (mm)	Magnifications	Object field (mm)	Magnifications	Object field (mm)
0.3x	285	1.95x ... 15.0x	118.0 ... 15.3	3.1x ... 24.0x	82.1 ... 10.7	4.9x ... 37.5x	51.3 ... 6.7
0.3x ... 0.5x	234 ... 91	1.95x ... 25.0x	118.0 ... 9.2	3.1x ... 40.0x	82.1 ... 6.4	4.9x ... 68.8x	51.3 ... 4.0
0.4x	210	2.6 x ... 20.0x	88.5 ... 11.5	4.2x ... 32.0x	61.5 ... 8.0	6.5x ... 50.0x	38.5 ... 5.0
0.63x	130	4.1 x ... 31.5x	56.2 ... 7.3	6.6x ... 50.4x	39.1 ... 5.1	10.2x ... 78.8x	24.4 ... 3.2
none	92	6.5 x ... 50.0x	35.4 ... 4.6	10.4x ... 80.0x	24.6 ... 3.2	16.3x ... 125.0x	15.4 ... 2.0
1.25x	60	8.1 x ... 62.5x	28.3 ... 3.7	13.0x ... 100.0x	19.7 ... 2.6	20.3x ... 156.3x	12.3 ... 1.6
1.6x	48	10.4x ... 80.0x	22.1 ... 2.9	16.6x ... 128.0x	15.4 ... 2.0	26.0x ... 200.0x	9.6 ... 1.3
2.0x	31	13.0x ... 100.0x	17.7 ... 2.3	20.8x ... 160.0x	12.3 ... 1.6	32.5x ... 250.0x	7.7 ... 1.0



Stemi DV4  
on Stand C  
Weight: 5 kg



Stemi 2000  
on Stand S  
Weight: 4.2 kg

<b>Microscope bodies</b>	Stemi DR 1040 Stemi DR 1663 Stemi DV4 Stemi 2000 Interpupillary distance adjustable from 55 to 75 mm Interface: 76 mm (international)	Magnifications 10x and 40x (max.: 80x) 16x and 63x (max.: 126x) 8x to 32x (max.: 64x) 6.6x to 50x (max.: 250x)	Free working distance (FWD) 92 mm 92 mm 92 mm 92 mm
<b>Eyepieces</b>	Stemi DR, Stemi DV4 with fixed eyepiece Stemi 2000 with interchangeable eyepieces	W 10x/20 Br. foc. W 10x/21 foc. W-PI 10x/23 Br. foc.	W-PI 16x/16 Br. foc. W 25x/10 foc.
<b>Supplementary lenses</b>	0.3x FWD: 285 mm 0.4x FWD: 210 mm	0.3x ... 0.5x FWD: 234 ... 91 mm 0.63x FWD: 130 mm	1.25x FWD: 60 mm 1.6x FWD: 48 mm
<b>Mounting brackets</b>	Stemi brackets with focusing knob for 32 mm column; Stemi bracket w/o focusing knob; Stemi tiltable bracket 0 – 90°		
<b>Stands</b>	Model C Model S Model N Model P Model G  Model A Model DA Base plate 32	Bench-top stand, footprint 210 x 300 mm, column height 290 mm Bench-top stand, footprint 180 x 240 mm, column height 260 mm Bench-top stand, footprint 440 x 360 mm, column height 350 mm Hinged-arm stand, max. outreach 880 mm Hinged-arm stand, footprint 360 x 360 mm, column height 600 mm, max. outreach 780 mm Column height 600 mm, max. outreach 460 mm Column height 600 mm, max. outreach 570 mm Bench-top stand, footprint 330 x 380 mm, column height options: 350 or 450 or 650 mm	
<b>Stages</b>	Sliding stage (dia. 190 mm) Rotating stage (dia. 115 mm)	Ball-and-socket stage (dia. 158 mm) Mechanical stage (78 x 50 mm)	24-place specimen carousel
<b>Epi-illuminators</b>	20W halogen 20W cold light  150W cold light  250W cold light	Integrated in Model C stand 2 models: fitting into Stemi mounting bracket, or attaching to stand column; 6-spot ring light or gooseneck 2 models: fitting into Stemi mounting bracket, or attaching to stand column; slit ring light (for bright- or darkfield) (adapter for use with cold light 250W available; gooseneck, diffuser S, or line light Attaching to stand column; slit ring light	
<b>Transmitted-light illuminators</b>	10W halogen 20W cold light 150W cold light	Integrated in Model C stand Transillumination light box accessory Transmitted-light mirror accessory Transmitted-light illuminator, model S Ring slit light for bright- and darkfield  <small>(All fiber-optic components for 150 W cold light sources can be used for 250 W cold light via an adapter provided with the Schott KL 2500 LCD source.)</small>	
<b>Fluorescence</b>	250W cold light	External oblique excitation	HBO 50/100/200 External oblique excitation
<b>Polarization</b>	20/150/250W cold light with transmitted-light accessory		



**Carl Zeiss  
Light Microscopy**

P.O.B. 40 41  
37030 Göttingen  
GERMANY  
Phone: ++49 5 51 50 60 660  
Telefax: ++49 5 51 50 60 464  
E-Mail: [micro@zeiss.de](mailto:micro@zeiss.de)

**[www.zeiss.de/micro](http://www.zeiss.de/micro)**

Subject to change.